

MICROWAVE OVEN

Model:

HMW-MD23AFBK



- Microwave oven
- Total capacity: 23L

HEINNER

1. INTRODUCTION

Please read the instructions carefully and keep the manual for future information.

This manual is designed to give all necessary instructions concerning installation, use and maintenance of the unit. In order to operate the unit correctly and safely, please read this instruction manual carefully before installation and use.

2. CONTENT OF YOUR PACKAGE

- ➔ **Freestanding microwave oven**
- ➔ **User manual**
- ➔ **Warranty card**

3. CONTENT OF YOUR PACKAGE

GENERAL

WARNING: DO NOT OPERATE THE OVEN WITHOUT ANY LIQUID OR FOOD INSIDE THE OVEN. THIS WOULD DAMAGE THE OVEN.

WARNING: If the door or door seals are damaged, the oven must not be operated until it has been repaired by a trained person.

WARNING: It is hazardous for anyone other than a trained person to carry out any service or repair operation, which involves the removal of any cover, which gives protection against exposure to microwave energy. **WARNING:** Liquids or other food must not be heated in sealed containers since they are liable to explode but it is explosive. In the event of a leak due to damage of the cooler elements, move your fridge away from open flames or heat sources and ventilate the room where the appliance is located for a few minutes.

1. Only use utensils that are suitable for use in microwave ovens.
2. Metallic containers for food and beverages are not allowed during microwave cooking.
3. When heating food in plastic or paper containers, keep an eye on the oven due to the possibility of ignition.
4. The microwave oven is intended for heating food and beverages. Drying of food or clothing and heating of warming pads, slippers, sponges, damp cloth and similar may lead to risk of injury, ignition or fire.
5. If smoke is observed, switch off or unplug the appliance and keep the door closed in order to stifle any flames microwave heating of beverages can result in delayed eruptive boiling, therefore care has to be taken when handling the container.
6. The contents of feeding bottles and baby food jars are to be stirred or shaken and the temperature is to be checked before consumption, in order to avoid burns.
7. Eggs in their shell and whole hard-boiled eggs shall not be heated in microwave ovens since they may explode, even after microwave heating has ended.

8. Failure to maintain the oven in a clean condition could lead to deterioration of the surface that could adversely affect the life of the appliance and possibly result in a hazardous situation.
9. The appliance must not be placed in a cabinet.
10. Care should be taken not to displace the turntable when removing containers from the appliance.
11. The appliance shall not be cleaned with a steam cleaner.
12. The appliance must not be installed equal to or higher than 900 mm above the floor. Minimum height of free space necessary above the top surface of the oven: See the installation drawing.

WARNING: When the appliance is operated in combination mode, children should only use the oven under adult supervision due to the temperatures generated.

13. If the supply cord is damaged, it must be replaced by the manufacturer or its service agent or a similarly qualified person in order to avoid a hazard.
14. This appliance can be used by children aged from 8 years and above and persons with reduced physical, sensory or mental capabilities or lack of experience and knowledge if they have been given supervision or instruction concerning use of the appliance in a safe way and understand the hazards involved.
15. Children shall not play with the appliance.
16. Cleaning and user maintenance shall not be done by children without supervision.
17. The plug must be remained easily accessible after installation of the appliance.
18. This appliance must not be placed in a cabinet with a door.
19. This product internal light source LED light on < 60lm.
20. During use the appliances become hot. Care should be taken to avoid touching heating elements inside the oven.

WARNING: Accessible parts may become hot during use. Young children should be kept away.

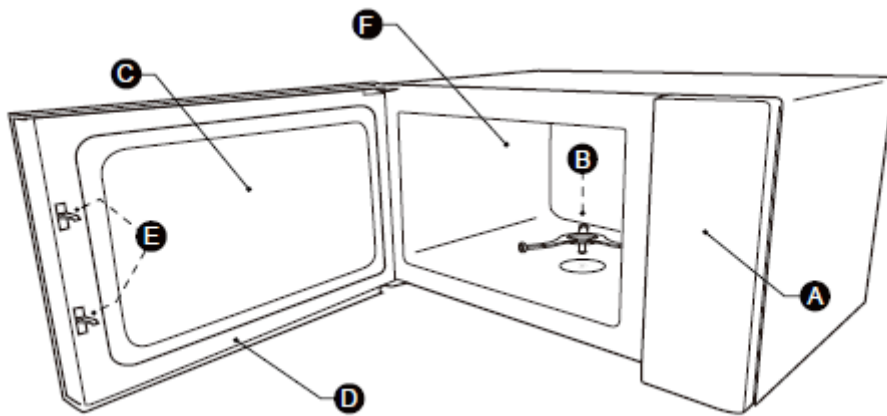
WARNING: The appliance and its accessible parts become hot during use.

21. Care should be taken to avoid touching heating elements.
22. Children less than 8 years of age shall be kept away unless continuously supervised.
23. Do not use harsh abrasive cleaners or sharp metal scrapers to clean the oven door glass since they can scratch the surface, which may result in shattering of the glass.
24. The appliance must not be installed behind a decorative door in order to avoid overheating. This appliance can be used by children aged from 8 years and above and persons with reduced physical, sensory or mental capabilities or lack of experience and knowledge if they have been given supervision or instruction concerning use of the appliance in a safe way and understand the hazards involved. Children shall not play with the appliance. Cleaning and user maintenance shall not be done by children without details indicating the correct installation of the shelves.

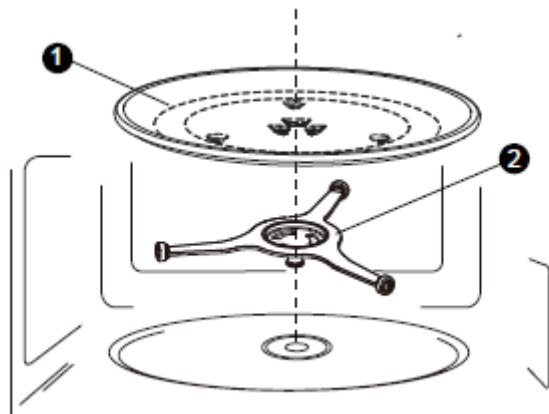
NOTES:

- Please read the instruction manual carefully before installing and using your appliance. We are not responsible for the damage which occurred due to misuse.
- Follow all instructions on your appliance and instruction manual and keep this manual in a safe place to resolve the problems that may occur in the future.
- This appliance is produced to be used in homes and it can only be used in domestic environments and for specified purposes. It is not suitable for commercial or common use. Such use will cause the guarantee of the appliance to be cancelled and our company will not be responsible for losses incurred.
- This appliance is produced to be used in houses and it is only suitable for cooling / storing food. It is not suitable for commercial or common use and/or for storing substances except for food. Our company is not responsible for losses to be incurred in the contrary case.

4. PRODUCT DESCRIPTION



- A. Control panel
- B. Turntable ring assembly
- C. Observation window
- D. Door assembly
- E. Safety interlock system
- F. Open Cavity

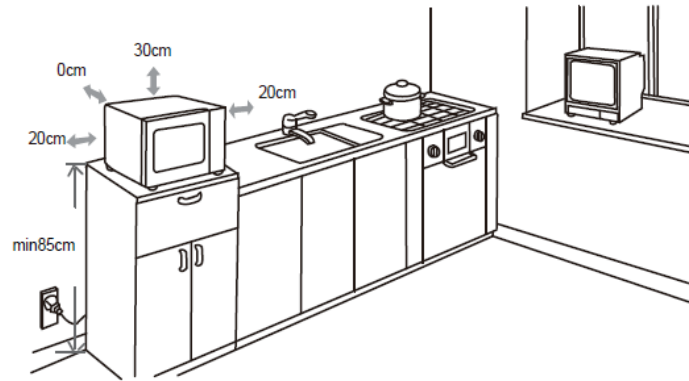


- 1. Glass Tray
- 2. Turntable ring assembly

- a. Never place the glass tray upside down. The glass tray should never be restricted.
- b. Both glass tray and turntable ring assembly must always be used during cooking.
- c. All food and containers of food are always placed on the glass tray for cooking.
- d. If glass tray or turntable ring assembly cracks or breaks, contact your nearest authorized service center.

5. INSTALLATION

1. Select a level surface that provide enough open space for the intake and/or outlet vents.



- (1) The minimum installation height is 85cm.
 - (2) The rear surface of appliance shall be placed against a wall. Leave a minimum clearance of 30cm above the oven, a minimum clearance of 20cm is required between the oven and any adjacent walls.
 - (3) Do not remove the legs from the bottom of the oven.
 - (4) Blocking the intake and/ or outlet openings can damage the oven.
 - (5) Place the oven as far away from radios and TV as possible. Operation of microwave oven may cause interference to your radio or TV reception.
2. Plug your oven into a standard household outlet.

Be sure the voltage and the frequency is the same as the voltage and the frequency on the rating label.

WARNING: Do not install oven over a range cooktop or other heat-producing appliance. If installed near or over a heat source, the oven could be damaged, and the warranty would be void.

6. OPERATION

1. Setting the Clock

- (1) Press "Clock/Timer" once, and then "00:00" will display. The hour figures will flash.
- (2) Press the number keys to set the hour figures.
- (3) Press "Time Cook" once, and then press the number keys to set the cooking time,
- (3) Press "Clock/Timer" to confirm.
- (4) Press number keys to set the minute figures.
- (5) Press "Clock/Timer" to confirm. The clock is set. (The maximum value is 23:59)

Notes:

- (1) If the clock is not set, it would not work when powered.
- (2) In the process of clock setting, if the "Clock/Timer" button is not pressed or there is no operation within 1 minute, the oven will return to the former setting.
- (3) If the numbers entered are not within 23:59, the setting will not be accepted until valid numbers are entered.

2. Microwave Cooking

- (1) Press "Power", and then "PL10" will display.
- (2) Press "Power" repeatedly to set the power level. The 11 power levels are available.
- (3) Press "Time Cook" once, and then press the number keys to set the cooking time. The maximum value is "99:99".
- (4) Press "Start/+30Sec." to start cooking

Power Chart

Level	10	9	8	7	6	5	4	3	2	1	0
Power (%)	100	90	80	70	60	50	40	30	20	10	0
Display	PL10	PL09	PL08	PL07	PL06	PL05	PL04	PL03	PL02	PL10	PL00

3. Setting the Kitchen Timer

- (1) Press "Clock/Timer" twice, and then "00:00" will display.
- (2) Press number keys to set the desired time. The maximum timer value is "99:99".
- (3) Press "Start/+30Sec" to confirm. The timer starts counting down.

4. Grill or Combi. Cooking

- (1) Press "Grill/Combi." repeatedly to select the mode, and then "G"(grill), "C-1", "C-2", "C-3", "C-4" will display in order.
- (2) Press the number keys to enter cooking time. The maximum time value is "99:99".
- (3) Press "Start/+30sec." to start cooking.

Instructions	Display	Microwave	Grill	Convection
1	G		•	
2	C-1	•		•
3	C-2	•	•	
4	C-3		•	•
5	C-4	•	•	•

5. Convection cooking (with preheating&without preheating)

- (1) Press "Convec." once, and then "Con" will display
 - (2) Press "Convec." repeatedly set temperature. 10 options are available including "110, 120, 130, 140, 150,160, 170, 180, 190,200" C are available.
 - (3) Press "Start/+30Sec" to confirm the temperature
 - (4) Press "Start/+30Sec" again to enter preheating
- When preheating is completed, the oven will beep twice. The temperature will display and flash on the screen , open then close the door.(if preheating is not needed, please skip this step)
- (5) Turn the knob to set the cooking time. The maximum time value is "99:99".
 - (6) Press "Start/+30Sec" to start cooking.

6. Defrost by Weight

- (1) Press "Defrost" once, and then the screen will display "d-1".
- (2) Press number keys to set the weight of food. The weight should be within 100-2000g.
- (3) Press "Start/+30Sec" to start defrosting.

Note: The buzzer will sound to remind of turning over the food during defrosting

7. Defrost by Time

- (1) Press "Defrost" twice, and then the screen will display "d-2".
- (2) Press number keys to set the desired defrost time. The maximum value is 99:99.
- (3) Press "Start/+30Sec." to start defrosting.

8. Multi-Stage Cooking

Notes: (1) Only two cooking stages can be set. In one stage, the buzzer will sound two times to remind you to turn over the food once half of the time has elapsed, the buzzer will sound when the first stage has finished.

- (2) Defrost function will work in the first stage.
- (3) Kitchen Timer, auto menu, preheat and speed cooking can't be set as one of the multi-stage.
- (4) The current time can be increased by pressing "Start/+30Sec" during the multi-stage.

For example: Set the weight defrosting for 500g and microwave cooking with 90% power level for 7 minutes.

- (1) Press "Defrost" once, and then the screen will display d-1.
- (2) Press "5,0,0" to set the defrost weight to 500g.
- (3) Press "Power" repeatedly till "PL09" displays.
- (4) Press "Time Cook" once, then press number keys to set the cooking time to 07:00.
- (5) Press "Start/+30sec." to start cooking.

9. Speedy Cooking

- (1) In standby mode, press "Start/+30sec." to work for 30 seconds with 100% power directly. press number keys to change the cooking time. Press "Start/+30sec." to start cooking.
- (2) Press number keys "1-6" to work with "1-6" minutes for 100% power directly.

10. Lock Function for Children

You can use this function to prevent children from accidentally turning the appliance on.

To activate the lock:

In standby mode, press and hold "Stop/Cancel" for three seconds. A long beep sounds and the locked icon will display.

To deactivate the lock:

In locked state, press and hold "Stop/Cancel" for three seconds. A long beep sounds.

11. Memory Function

You can save the settings for a dish in the memory and call it up again.

- (1) Press "Memory" to select memory 1-3 procedure. "1", "2" and "3" will display in order.
- (2) If the procedure has been set, press "Start/+30sec." to start working. Otherwise, please continue to set.
- (3) After finishing the setting, press "Start/+30sec." once to save the procedure.

Example: Set memory 2 (cook food with 80% microwave power for 3 minutes)

- (1) In standby mode, press "Memory" twice.

- (3) Press "Power" repeatedly till "PL08" displays.
 (2) Press "Time Cook" and then press number keys "3", "0", "0" in order.
 (4) Press "Start/+30sec." to save the setting and "2" will display.

Notes: If the power is not cut off, the procedure will be saved all the time.

Convection with preheating and auto menu can't be set in memory function.

12. ECO Function

To enter ECO mode:

In standby mode, press "Stop/Cancel" or without any operation in 10 minutes, the screen will turn off.

To cancel ECO mode:

In ECO mode, press any key, open or close the oven door.

13. Inquiring Function

If the clock has been set, the current time will display for three seconds by pressing "Clock/Timer" in the cooking state.

14. Auto Menu

(1) Press "Potato" twice, "2" displays.

(2) Press "Start/+30sec." to start cooking.

For example, cooking 2 potatoes as follow:

Note: The cooking time of the auto menu can't be set.

(2) Press "Start/+30sec." to start cooking.

(1) Press the corresponding menu key to set its weight.

Note: The cooking time of the auto menu can't be set.

Menu	Weight	Display
Potato	1 (230g)	1
	2 (460g)	2
	3 (690g)	3
Frozen pizza	100 g	100 g
	200 g	200 g
	350 g	350 g
Vegetable	150 g	150 g
	350 g	350 g
	500 g	500 g
Soup	200 g	200 g
	400 g	400 g
	600 g	600 g
Meat	150 g	150 g
	300 g	300 g
	450 g	450 g
	600 g	600 g

15. Air fry Menu

- (1) Press "Air Fry" repeatedly to choose the desired menu, "H1~H10" will display in order.
- (2) Press "Start/+30sec." to start cooking.

Display	Air fry Menu	Weight/Amount
H1	Broiled bananas	2
H2	Grilled asparagus	250 g
H3	German style Bratwurst	450 g
H4	Baked chicken breast	600 g
H5	Grilled salmon	250 g
H6	Chocolate chip cookies	240 g
H7	Honeyed apples	4
H8	Banana Bread	About 670 g
H9	Blueberry	About 740 g
H10	Garlic bread	About 740 g

USTENSILS GUIDELINE

Materials you can use in microwave oven:

Utensils	Remarks
Browning dish	Follow manufacturer's instructions. The bottom of browning dish must be at least 3/16 inch (5mm) above the turntable. Incorrect usage may cause the turntable to break.
Dinnerware	Microwave-safe only. Follow manufacturer's instructions. Do not use cracked or chipped dishes.
Glass jars	Always remove lid. Use only to heat food until just warm. Most glass jars are not heat resistant and may break.
Glassware	Heat-resistant oven glassware only. Make sure there is no metallic trim. Do not use cracked or chipped dishes.
Oven cooking bags	Follow manufacturer's instructions. Do not close with metal tie. Make slits to allow steam to escape.
Paper plates and cups	Use for short-term cooking/warming only. Do not leave oven unattended while cooking.
Paper towels	Use to cover food for reheating and absorbing fat. Use with supervision for a short-term cooking only
Parchment paper	Use as a cover to prevent splattering or a wrap for steaming.
Plastic	Microwave-safe only. Follow the manufacturer's instructions. Should be labelled "Microwave Safe". Some plastic containers soften, as the food inside gets hot. "Boiling bags" and tightly closed plastic bags should be slit, pierced, or vented as directed by package
Plastic wrap	Microwave-safe only. Use to cover food during cooking to retain moisture. Do not allow plastic wrap to touch food.
Thermometers	Microwave-safe only (meat and candy thermometers).
Wax paper	Use as a cover to prevent splattering and retain moisture.

Materials to be avoided in microwave oven

Utensils	Remarks
Aluminium tray	May cause arcing. Transfer food into microwave-safe dish
Food carton with metal handle	May cause arcing. Transfer food into microwave-safe dish
Metal or metal-trimmed utensils	Metal shields the food from microwave energy. Metal trim may cause arcing.
Metal twist ties	May cause arcing and could cause a fire in the oven
Paper bags	May cause a fire in the oven.
Plastic foam	Plastic foam may melt or contaminate the liquid inside when exposed to high temperature.
Wood	Wood will dry out when used in the microwave oven and may split or crack

COOKING TIPS

The following factors may affect the cooking result:

Food arrangement

Place thicker areas towards the outside of dish, the thinner part towards the center and spread it evenly. Do not overlap if possible.

Cooking time length

Start cooking with a short time setting, evaluate it after it times out and extend it according to the actual need. Over cooking may result in smoke and burns.

Cooking food evenly

Food such as chicken, hamburger or steak should be turned once during cooking. Depending on the type of food, if applicable, stir it from outside to center of dish once or twice during cooking.

Allow standing time.

After cooking times out, leave the food in the oven for an adequate length of time, this allows it to complete its cooking cycle and cooling it down in a gradual manner.

Whether the food is done

Color and hardness of food help to determine if it is done, these include:

- Steam coming out from all parts of food, not just the edge
- Joints of poultry can be moved easily
- Pork or poultry shows no signs of blood
- Fish is opaque and can be sliced easily with a fork

Browning dish

When using a browning dish or self-heating container, always place a heat-resistant insulator such as a porcelain plate under it to prevent damage to the turntable and rotating ring.

Microwave safe plastic wrap

When cooking food with high fat content, do not allow the plastic wrap come into contact with food as it may melt

Microwave safe plastic cookware

Some microwave safe plastic cookware might not be suitable for cooking foods with high fat and sugar content. Also, the preheating time specified in the dish instruction manual must not be exceeded.

7. CLEANING AND MAINTANACE

CLEANING

Be sure to unplug the appliance from the power supply.

1. Clean the cavity of the oven after using with a slightly damp cloth.
2. Clean the accessories in the usual way in soapy water.
3. The door frame and seal and neighboring parts must be cleaned carefully with a damp cloth when they are dirty.
4. Do not use harsh abrasive cleaners or sharp metal scrapers to clean the oven door glass since they can scratch the surface, which may result in shattering of the glass.
5. Cleaning Tip---For easier cleaning of the cavity walls that the food cooked can touch: Place half a lemon in a bowl, add 300ml (1/2 pint) water and heat on 100% microwave power for 10 minutes. Wipe the oven clean using a soft, dry cloth.

Utensil Test:

1. Fill a microwave-safe container with 1 cup of cold water (250ml) along with the utensil in question.
2. Cook on maximum power for 1 minute.
3. Carefully feel the utensil. If the empty utensil is warm, do not use it for microwave cooking.
4. Do not exceed 1 minute cooking time.

SERVICING SAFEGUARDS

Caution: MICROWAVE RADIATION

1. The high voltage capacitor remains charged after disconnection; short the negative terminal of H. V capacitor to the oven chassis (use a screwdriver) to discharge before touching.
2. During servicing below listed parts are liable to be removed and give access to potentials above 250V to earth.
 - Magnetron
 - High voltage transformer
 - High voltage capacitor
 - High voltage diode
 - High voltage fuse
3. The following conditions may cause undue microwave exposure during servicing.
 - Improper fitting of magnetron.
 - Improper matching of door interlock, door hinge and door.
 - Improper fitting of switch support.
 - Door, door seal or enclosure has been damaged.

8. TROUBLESHOOTING

Normal	
Microwave oven interfering TV reception	Radio and TV reception may be interfered when microwave oven operating. It is similar to the interference of small electrical appliances, like mixer, vacuum cleaner, and electric fan. It is normal.
Dim oven light	In low power microwave cooking, oven light may become dim. It is normal.
Steam accumulating on door, hot air out of vents	In cooking, steam may come out of food. Most will get out from vents. But some may accumulate on cool place like oven door. It is normal
Oven started accidentally with no food in.	It is forbidden to run the unit without any food inside. It is very dangerous.

Trouble	Possible Cause	Remedy
Oven cannot be started.	Power cord is not plugged in tightly	Unplug. Then plug again after 10 seconds.
	Fuse blowing or circuit breaker works.	Replace fuse or reset circuit breaker (repaired by professional personnel of our company)
	Trouble with outlet	Test outlet with other electrical appliances.
Oven does not heat.	Door is not closed well.	Close door well.

CUSTOMER CARE AND SERVICE

Always use original spare parts.

When contacting our Authorized Service Centre, ensure that you have the following data available: Model and Serial Number.

The information can be found on the rating plate. Subject to change without notice.

TECHNICAL DATA

Model	HMW-MD23AFBK
Voltage	230V~ 50 Hz
Microwave input	1450 W
Microwave output	900 W
Grill	1000 W
Convection	1680 W

**Environment friendly disposal**

You can help protect the environment!

Please remember to respect the local regulations: hand in the non-working electrical equipment's to an appropriate waste disposal center.



HEINNER is a registered trademark of **Network One Distribution SRL**. Other brands and product names are trademarks or registered trademarks of their respective holders.

No part of the specifications may be reproduced in any form or by any means or used to make any derivative such as translation, transformation, or adaptation without permission from NETWORK ONE DISTRIBUTION.

Copyright © 2013 Network One Distribution. All rights reserved.

www.heinner.com, <http://www.nod.ro>



This product is in conformity with norms and standards of European Community



Importer: **Network One Distribution**

Marcel Iancu Street, 3-5, Bucharest, Romania

Tel: +40 21 211 18 56, www.heinner.com , www.nod.ro

CUPTOR CU MICROUND

Model:

HMW-MD23AFBK



- Cuptor cu microunde
- Capacitate totală: 23L

HEINNER

1. INTRODUCERE

Vă rugăm să citiți instrucțiunile cu atenție și să păstrați manualul pentru consultări ulterioare.

Acest manual are scopul de a vă oferi toate instrucțiunile necesare cu privire la instalarea, utilizarea și întreținerea aparatului. Pentru utilizarea corectă și în siguranță a aparatului, vă rugăm să citiți cu atenție acest manual de instrucțiuni înainte de instalare și utilizare.

2. CONȚINUTUL PACHETULUI DUMNEAVOASTRĂ

- ➔ Cuptor cu microunde
- ➔ Manual de utilizare
- ➔ Certificat de garanție

3. CONȚINUTUL PACHETULUI DUMNEAVOASTRĂ

GENERALITĂȚI

AVERTISMENT: NU PORNIȚI CUPTORUL CU MICROUNDĂ DACĂ ÎN INTERIORUL ACESTUIA NU SE AFLĂ NICIUN RECIPIENT CU ALIMENTE SAU LICHIDE. ACEASTA POATE DUCE LA DEFECTAREA CUPTORULUI.

AVERTISMENT: Dacă ușa/garnitura ușii este deteriorată, opriți utilizarea aparatului până la repararea acestuia de către o persoană calificată.

AVERTISMENT: Efectuarea operațiilor de întreținere sau a reparațiilor care implică îndepărtarea carcaselor care oferă protecție împotriva expunerii la microunde este periculoasă pentru persoanele necalificate.

AVERTISMENT: Nu încălziți în recipiente închise ermetic lichide sau alte alimente, deoarece acestea pot exploda. În cazul apariției unei scurgeri cauzate de deteriorarea componentelor schimbătorului de căldură, mutați frigiderul la distanță de sursele de flacără deschisă sau de căldură și aerisiți timp de câteva minute camera în care se află aparatul.

1. Utilizați numai recipiente care sunt potrivite pentru utilizare în cuptorul cu microunde.
2. Nu utilizați în cuptorul cu microunde recipiente din metal pentru lichide sau alimente.
3. Atunci când încălziți alimente în recipiente din plastic sau hârtie, există riscul de aprindere a acestora. Din acest motiv, procesul de încălzire trebuie supravegheat permanent.
4. Cuptorul cu microunde este destinat încălzirii alimentelor și băuturilor. Uscarea alimentelor sau a articolelor de îmbrăcăminte, încălzirea pernelor, papucilor, bureților cârpelor umede sau a altor obiecte similare pot duce la risc de rănire sau producere a incendiilor.
5. În cazul în care observați fum, opriți aparatul sau deconectați ștecărul de la sursa de alimentare și țineți ușa închisă pentru a înăbuși eventualele flăcări. Încălzirea cu microunde a băuturilor poate avea ca rezultat stropirea din cauza fierberii prelungite; prin urmare, trebuie să acordați atenție deosebită atunci când manevrați recipientul.
6. Pentru a evita arsurile, agitați biberoanele și borcanele cu alimente pentru copii sau amestecați conținutul acestora și verificați temperatura alimentelor înainte de a hrăni copiii.
7. Nu încălziți în cuptor ouă cu coajă sau ouă fierte, deoarece acestea pot exploda chiar și după finalizarea procesului de încălzire.-
8. În cazul în care cuptorul nu este menținut curat, suprafețele acestuia se pot deteriora, durata de utilizare a produsului poate fi diminuată, putând apărea chiar situații periculoase.

9. Aparatul nu trebuie să fie montat într-un dulap.
10. Acționați cu prudență, astfel încât să nu dislocați platoul rotativ atunci când scoateți recipientele din aparat.
11. Aparatul nu trebuie curățat cu un aparat de curățare cu aburi.
12. Aparatul nu trebuie să fie instalat la mai mult de 900 mm deasupra podelei. Spațiul liber necesar deasupra suprafeței superioare a cuptorului: Consultați schema de instalare.

AVERTISMENT: Atunci când aparatul este utilizat în modul de preparare combinată, copiii trebuie să utilizeze cuptorul numai sub supravegherea unui adult, deoarece acesta generează temperaturi foarte ridicate.

13. Pentru evitarea pericolelor, în cazul în care cablul de alimentare este deteriorat, acesta trebuie înlocuit de către producător, de către agentul său de service sau de persoane cu o calificare similară.
14. Aparatul poate fi utilizat de către copii cu vârste începând de la 8 ani și de către persoane cu capacități fizice, senzoriale sau mentale reduse, cu lipsă de experiență sau cunoștințe, numai dacă acestea sunt supravegheate sau instruite în ceea ce privește utilizarea în siguranță a aparatului și dacă înțeleg pericolele pe care le implică utilizarea.
15. Copiii nu au voie să se joace cu aparatul.
16. Curățarea și întreținerea nu trebuie efectuate de către copii nesupravegheați.
17. După instalarea aparatului, ștecărul trebuie să rămână ușor accesibil.
18. Acest aparat nu trebuie să fie montat într-un dulap cu ușă.
19. Fluxul luminos al sursei de lumină LED interne a acestui produs este < 60lm.
20. În timpul utilizării, aparatul devine fierbinte. Evitați atingerea elementelor de încălzire din interiorul cuptorului.

AVERTISMENT: Componentele accesibile se pot încinge în timpul utilizării. Copiii cu vârste mici trebuie ținuți la distanță de aparat.

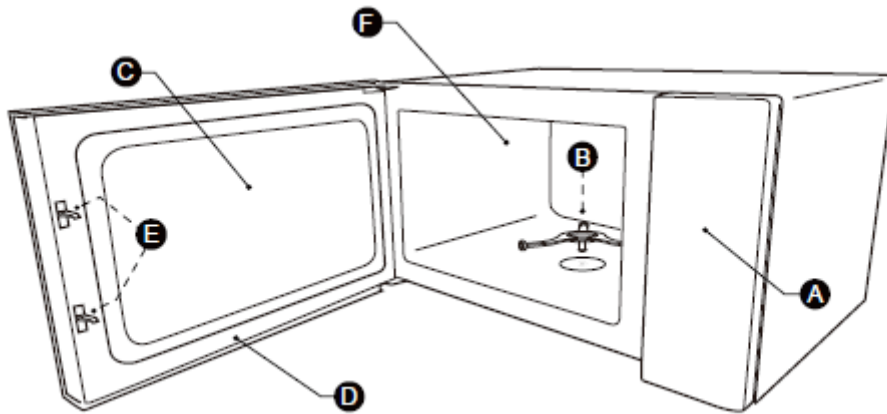
AVERTISMENT: Aparatul și zonele accesibile ale acestuia se pot încinge pe parcursul folosirii.

21. Evitați atingerea zonelor care se încing.
22. Nu lăsați copiii cu vârste sub 8 ani în preajma aparatului decât dacă aceștia sunt supravegheați neîntrerupt.
23. Nu utilizați agenți de curățare abrazivi sau bureți metalici pentru curățarea geamului ușii cuptorului, deoarece acesta se poate zgâria sau se poate sparge.
24. Pentru evitarea supraîncălzirii, aparatul nu trebuie să fie instalat în spatele unei uși decorative. Aparatul poate fi utilizat de către copii cu vârste începând de la 8 ani și de către persoane cu capacități fizice, senzoriale sau mentale reduse, cu lipsă de experiență sau cunoștințe, numai dacă acestea sunt supravegheate sau instruite în ceea ce privește utilizarea în siguranță a aparatului și dacă înțeleg pericolele pe care le implică utilizarea. Copiii nu au voie să se joace cu aparatul. Curățarea și întreținerea nu trebuie să fie efectuate de către copii în lipsa detaliilor care să indice instalarea corectă a rafturilor.

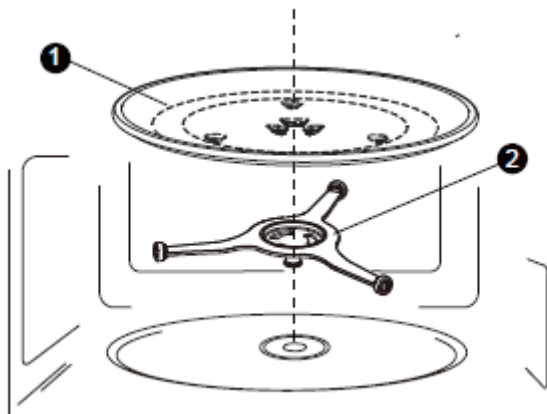
OBSERVAȚII:

- Vă rugăm să citiți cu atenție manualul de instrucțiuni înainte de a instala și utiliza aparatul dumneavoastră. Nu ne asumăm nicio răspundere pentru daunele apărute ca urmare a utilizării necorespunzătoare.
- Respectați toate instrucțiunile de pe aparat și din manualul de instrucțiuni și păstrați acest manual într-un loc sigur, pentru a remedia problemele care ar putea interveni în viitor.
- Acest aparat este destinat uzului casnic și nu poate fi utilizat în alte scopuri decât cele specificate. Nu este potrivit pentru utilizare comercială sau în comun. O asemenea utilizare va duce la anularea garanției aparatului, iar compania noastră nu va fi responsabilă pentru pierderile care vor apărea.
- Acest aparat este produs în vederea utilizării casnice și este adecvat numai pentru răcirea/depozitarea alimentelor. Nu este potrivit pentru utilizare comercială sau în comun și/sau pentru depozitarea substanțelor nealimentare. Compania noastră nu este responsabilă pentru pierderile care vor apărea în caz contrar.

4. DESCRIEREA PRODUSULUI



- A. Panou de comanda
- B. Ansamblu ax rotativ
- C. Fereastra de vizualizare
- D. Ansamblu usa
- E. Sistem de inchidere a usii
- F. Cavitare microunde

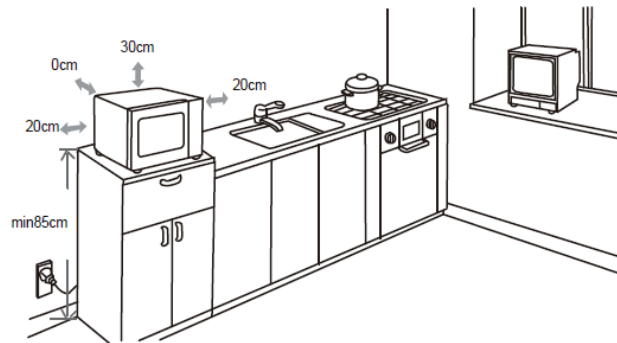


- 1. Platou din sticla rotativ
- 2. Ax rotativ

- a. Nu puneți în niciun caz platoul rotativ cu partea superioară în jos. Platoul rotativ trebuie să se rotească fără dificultate.
- b. Platoul rotativ și inelul rotativ trebuie utilizate întotdeauna în timpul preparării.
- c. Asigurați-vă că toate alimentele și recipientele cu alimente sunt așezate pe platoul rotativ în vederea preparării.
- d. În cazul în care platoul rotativ sau inelul rotativ se crapă sau se sparge, contactați cel mai apropiat atelier de service autorizat.

5. INSTALARE

1. Selectați o suprafață plană care să ofere suficient spațiu liber pentru orificiile de admisie și/sau de evacuare.



Înălțimea minimă de instalare este de 85 cm.

(2) Partea din spate a aparatului trebuie să fie lângă un perete.

Lăsați un spațiu de cel puțin 30 cm deasupra cuptorului. Este necesar să lăsați un spațiu de cel puțin 20 cm între cuptor și pereții învecinați.

(3) Nu demontați picioarele din partea inferioară a cuptorului.

(4) Blocarea orificiilor de admisie și/sau de evacuare poate duce la deteriorarea cuptorului.

(5) Așezați cuptorul cât mai departe posibil de aparate de radio și televizoare.

Funcționarea cuptorului cu microunde poate provoca interferențe în recepția radio sau TV.

2. Conectați cuptorul la o priză standard de uz casnic. Asigurați-vă că tensiunea și frecvența indicate pe plăcuța cu date tehnice a aparatului corespund tensiunii și frecvenței disponibile în locul de utilizare.

AVERTISMENT: Nu amplasați cuptorul deasupra unui aragaz sau a altui aparat care produce căldură. Dacă este instalat în apropierea unei surse de căldură sau deasupra acesteia, cuptorul poate suferi deteriorări, aceasta ducând la anularea garanției.

6. UTILIZAREA PANOULUI DE COMANDĂ

1. Reglarea ceasului

(1) Apăsați pe butonul „CLOCK/TIMER”, o singură dată iar ecranul va afișa „00:00”. Cifrele de la ora vor clipi.

(2) Apăsați pe butoanele numerice și introduceți ora curentă.

(3) Apăsați pe butonul „CLOCK/TIMER” pentru a confirma.

(4) Apăsați pe butoanele numerice și introduceți minutele.

(5) Apăsați pe butonul „CLOCK/TIMER” pentru a confirma. Ceasul este setat. (Valoarea maximă este 23:59)

Observație:

(1) Dacă ceasul nu este setat, acesta nu va funcționa atunci când este alimentat.

(2) În timpul procesului de setare a ceasului, dacă butonul "Clock/Timer" nu este apăsat sau nu se efectuează nicio operațiune în decurs de 1 minut, cuptorul va reveni la setarea anterioară.

(3) Dacă numerele introduse nu se încadrează în intervalul 23:59, setarea nu va fi acceptată până când nu sunt introduse numere valide.

2. Prepararea cu microunde

- (1) Apăsați o dată pe butonul „POWER”, iar ecranul va afișa „PL10”. Puterea implicită este de 100%.
- (2) Apăsați de mai multe ori pe butonul „POWER”, pentru a regla nivelul de putere. Sunt 11 nivele disponibile.
- (3) Apăsați o dată pe butonul „TIME COOK”, și apoi apăsați pe butoanele numerice pentru a introduce durata de preparare; durata maximă de preparare este de 99 de minute și 99 de secunde.
- (4) Apăsați pe butonul „START/+30SEC.” pentru a începe prepararea.

Nivel	10	9	8	7	6	5	4	3	2	1	0
Putere (%)	100	90	80	70	60	50	40	30	20	10	0
Afisaj	PL10	PL09	PL08	PL07	PL06	PL05	PL04	PL03	PL02	PL10	PL00

3. Cronometrul de bucătărie

- (1) Apăsați pe butonul „Clock/Timer ecranul va afișa 00:00, iar prima cifră a orei va clipi.
- (2) Apăsați pe butoanele numerice și introduceți durata (durata maximă este de 99 de minute și 99 de secunde).
- (3) Apăsați pe butonul „START/+30SEC.” pentru a confirma setarea.

4. Grill/ Combi. Grill

- (1) Apăsați repetat pe butonul „Grill/Combi.” pentru a selecta modul, iar ecranul va afișa în ordine „G” (grill), „C-1”, „C-2”, „C-3”, „C-4”.
- (2) Apăsați pe butoanele numerice pentru a introduce durata de preparare. Valoarea maximă a duratei este „99:99”.
- (3) Apăsați pe butonul „Start/+30sec.” pentru a începe prepararea.

Instructiuni	Display	Microunde	Grill	Convecție
1	G		•	
2	C-1	•		•
3	C-2	•	•	
4	C-3		•	•
5	C-4	•	•	•

5. Prepararea prin convecție (cu preîncălzire și fără preîncălzire)

- (1) Apăsați o dată pe butonul „Convec.”, iar ecranul va afișa „Con”.
 - (2) Apăsați repetat pe butonul „Convec.” pentru a seta temperatura. Sunt disponibile 10 opțiuni inclusiv „110, 120, 130, 140, 150, 160, 170, 180, 190, 200” C
 - (3) Apăsați pe butonul „Start/+30Sec.” pentru a confirma temperatura.
 - (4) Apăsați din nou pe butonul „Start/+30Sec.” pentru a începe preîncălzirea.
- La finalizarea preîncălzirii, aparatul va emite un semnal sonor scurt de două ori. Temperatura va fi afișată și va clipi pe ecran; deschideți ușa, apoi închideți-o (dacă preîncălzirea nu este necesară, vă rugăm să omiteți acest pas).
- (5) Rotiți butonul pentru a seta durata de preparare. Valoarea maximă a duratei este „99:99”.
 - (6) Apăsați pe butonul „Start/+30Sec.” pentru a începe prepararea.

6. Decongelarea în funcție de greutate

- (1) Apăsați pe butonul „TIME DEFROST”, iar ecranul va afișa „d-1”.
- (2) Apăsați pe butoanele numerice pentru a introduce durata de decongelare. Intervalul de greutate este cuprins între 100-2000g
- (3) Apăsați pe butonul „START/+30SEC.” pentru a începe decongelarea.

7. Decongelarea în funcție de durată

- (1) Apăsați pe butonul „TIME DEFROST”, iar ecranul va afișa „d-2”.
- (2) Apăsați pe butoanele numerice pentru a introduce durata de decongelare. Intervalul de timp efectiv este cuprins între 00:01 și 99:99
- (3) Apăsați pe butonul „START/+30SEC.” pentru a începe decongelarea. Ecranul va afișa durata de preparare rămasă.

8. Prepararea în mai multe etape

Observații:

- a) Pot fi setate numai două etape de preparare. În cadrul unei etape, aparatul va emite un semnal sonor de două ori, pentru a vă reaminti să întoarceți alimentele odată ce a trecut jumătate din durată. Aparatul va emite un semnal sonor la finalizarea primei etape.
- b) În cadrul primei etape, va fi activată funcția de decongelare.
- c) Funcțiile „Cronometru de bucătărie”, „Meniu automat”, „Preîncălzire” și „Preparare rapidă” nu pot fi setate ca reprezentând una dintre etapele preparării în mai multe etape.
- d) Durata curentă poate fi mărită prin apăsarea butonului „Start/+30Sec” preparării în mai multe etape.

- (1) Apăsați o dată pe butonul „Defrost”, iar ecranul va afișa d-1.
- (2) Apăsați „5,0,0” pentru a seta greutatea de decongelare la 500 g.
- (3) Apăsați repetat pe butonul „Power ” până când ecranul afișează „PL09”.
- (4) Apăsați o dată pe butonul „Time Cook”, apoi apăsați pe butoanele numerice pentru a seta durata de gătit la 07:00.
- (5) Apăsați pe butonul „Start/+30sec.” pentru a începe prepararea.

9. Prepararea rapidă

- (1) Când aparatul este în standby, apăsați pe butonul „Start/+30sec.” pentru ca aparatul să funcționeze timp de 30 de secunde la 100% din putere. Apăsați direct pe butoanele numerice pentru a modifica durata de preparare.
Apăsați pe butonul „Start/+30sec.” pentru a începe direct prepararea.
- (2) Apăsați pe butoanele numerice „1-6” pentru ca aparatul să funcționeze „1-6” minute la 100% din putere.

10. Funcția de blocare împotriva acționării de către copii

Puteți utiliza această funcție pentru a preveni pornirea accidentală a aparatului de către copii.

Pentru activarea funcției de blocare:

Când aparatul este în standby, apăsați și mențineți apăsat butonul „Stop/Cancel” timp de 3 secunde.

Aparatul emite un semnal sonor lung, iar ecranul afișează pictograma aferentă funcției de blocare.

Pentru dezactivarea funcției de blocare:

Când aparatul este blocat, apăsați și mențineți apăsat butonul „Stop/Cancel” timp de 3 secunde. Aparatul emite un semnal sonor lung.

11. Funcția de memorare

Această funcție permite stocarea setărilor pentru un fel de mâncare în memoria aparatului, precum și accesarea ulterioară a acestora.

- (1) Apăsați pe butonul „Memory” pentru a selecta o procedură de memorare de la 1 la 3. Ecranul va afișa în ordine „1”, „2” și „3”.

(2) Dacă procedura a fost setată, apăsați pe butonul „Start/+30sec.” pentru a începe funcționarea. În caz contrar, vă rugăm să continuați setarea procedurii.

(3) După finalizarea setării, apăsați o dată pe butonul „Start/+30sec.” pentru ca procedura să fie memorată. Exemplu: Procedura memorată 2 (pentru a prepara alimentele cu 80% din puterea microundelor timp de 3 minute)

(1) Când aparatul este în standby, apăsați de două ori pe butonul „Memory”.

(3) Apăsați repetat pe butonul „Power ” până când ecranul afișează „PL08”.

(2) Apăsați pe butonul „Time Cook”, apoi apăsați în ordine pe butoanele numerice „3”, „0”, „0”.

(4) Apăsați pe butonul „Start/+30sec.” pentru a memora setarea, iar ecranul va afișa „2”.

Observații: Dacă alimentarea nu este întreruptă, procedura va fi memorată în toate situațiile.

Prepararea prin convecție cu preîncălzire și meniul automat nu pot fi setate în cadrul funcției de memorare.

12. Funcția ECO

Activarea funcției ECO:

Când aparatul este în standby, apăsați pe butonul „Stop/Cancel”. De asemenea, dacă nu este acționat niciun buton timp de 10 minute, ecranul se stinge.

Dezactivarea funcției ECO: Când funcția ECO este activă, apăsați orice buton, deschideți sau închideți ușa cuptorului.

13. Funcția de afișare a informațiilor

Dacă ceasul a fost setat, ora curentă va fi afișată timp de trei secunde prin apăsarea butonului „Clock/Timer” în timpul preparării.

14. Funcția Meniu automat

(1) Apasati “Potato” de doua ori, pana ce pe display apare “2”.

(2) Apasati “Start/+30sec.” pentru a începe prepararea.

De exemplu, pentru a prepara 2 cartofi urmati pasii:

Notă: Timpul de gătire din meniul automat nu poate fi setat.

(2) Apăsați "Start/+30sec." pentru a începe gătitul.

(1) Apăsați tasta de meniu corespunzătoare pentru a seta greutatea sa.

Notă: Timpul de gătire din meniul auto nu poate fi setat.

Menu	Greutate	Afisaj
Cartofi	1 (230g)	1
	2 (460g)	2
	3 (690g)	3
Pizza congelata	100 g	100 g
	200 g	200 g
	350 g	350 g
Legume	150 g	150 g
	350 g	350 g
	500 g	500 g
Supa	200 g	200 g
	400 g	400 g
	600 g	600 g
Carne	150 g	150 g
	300 g	300 g
	450 g	450 g
	600 g	600 g

15. Funcția gătire cu abur

- (1) Apăsăți repetat pe butonul „Air Fry” pentru a alege meniul dorit. Ecranul va afișa în ordine de la H1 la H10.
- (2) Apăsăți "Start/+30sec." pentru a începe gătitul

Afisaj	Airfry Meniu	Greutate/Cantitate
H1	Banane prăjite	2
H2	Sparanghel la grătar	250 g
H3	Germansytle BratWurts	450 g
H4	Piept de pui	600 g
H5	Somon la grătar	250 g
H6	Prăjiturele cu chipsuri de ciocolata	240 g
H7	Mere cu miere	4
H8	Chec cu banane	Aprox 670 g
H9	Coacaze	Aprox 740 g
H10	Paine cu usturoi	Aprox 740 g

INDICATII PENTRU UTILIZAREA USTENSILELOR

Materiale pe care le puteți utiliza în cuptorul cu microunde.

Obiecte	Observații
Vas pentru rumenire	Respectați instrucțiunile producătorului. Partea inferioară a vasului pentru rumenire trebuie să fie la cel puțin 5 mm deasupra platoului rotativ. Utilizarea incorectă poate cauza ruperea platoului rotativ.
Veselă	Numai cea adecvată pentru utilizare în cuptorul cu microunde. Respectați instrucțiunile producătorului. Nu utilizați vase crăpate sau ciobite.
Borcane de sticlă	Îndepărtați întotdeauna capacul. Utilizați-le numai pentru a încălzi ușor alimentele. Cele mai multe borcane de sticlă nu sunt termorezistente și se pot sparge.
Vase din sticlă	Doar vase din sticlă termorezistentă, care pot fi utilizate în cuptorul cu microunde. Asigurați-vă că nu sunt prevăzute ornamente metalice. Nu utilizați vase crăpate sau ciobite.
Pungi pentru copt	Respectați instrucțiunile producătorului. Nu închideți cu legătură metalică. Efectuați tăieturi pentru a permite aburului să iasă
Farfurii și pahare de hârtie	A se utiliza numai pentru gătit/încălzire pe termen scurt. Nu lăsați cuptorul nesupravegheat în timpul gătitului.
Prosoape de hârtie	A se utiliza pentru a acoperi alimentele în vederea reîncălzirii și pentru a absorbi grăsimea. A se utiliza sub supraveghere, numai pentru o gătire pe termen scurt.
Hârtie de copt	Utilizați ca acoperire pentru a preveni stropirea sau pentru gătit la aburi.
Obiecte din plastic	Numai cele adecvate pentru utilizare în cuptorul cu microunde. Respectați instrucțiunile producătorului. Trebuie să fie etichetate cu mențiunea „Sigur pentru utilizare în cuptorul cu microunde”. Unele recipiente de plastic se înmoaie, pe măsură ce alimentele din interior se încălzesc. „Pungile pentru fierbere” și pungile de plastic închise ermetic trebuie să fie tăiate, perforate sau deschise conform indicațiilor de pe ambalaj.
Folie de plastic	Numai cea adecvată pentru utilizare în cuptorul cu microunde. A se utiliza în vederea acoperirii alimentelor în timpul gătitului, pentru a reține umiditatea. Nu lăsați folia de plastic să atingă alimentele.
Termometre	Numai cele adecvate pentru utilizare în cuptorul cu microunde (termometre pentru carne și dulciuri).
Hârtie cerată	Utilizați ca acoperire pentru a preveni stropirea sau pentru a reține umiditatea.

Materiale a căror utilizare în cuptorul cu microunde trebuie evitată.

Ustensile	Observații
Tavă din aluminiu	Poate provoca formarea de arcuri electrice. Transferați alimentele într-un vas adecvat pentru utilizare în cuptorul cu microunde.
Cutie pentru alimente, cu mâner metalic	Poate provoca formarea de arcuri electrice. Transferați alimentele într-un vas adecvat pentru utilizare în cuptorul cu microunde.
Ustensile metalice sau cu ornamente metalice	Metalul protejează alimentele de energia generată de cuptorul cu microunde. Ornamentele metalice pot provoca formarea de arcuri electrice.
Legături metalice	Pot provoca formarea de arcuri electrice și pot cauza un incendiu în cuptor.
Pungi de hârtie	Pot provoca un incendiu în cuptor.
Spumă de plastic	Spuma de plastic se poate topi sau poate contamina lichidul din interior atunci când este expusă la temperaturi ridicate.
Lemn	Lemnul se usucă atunci când este utilizat în cuptorul cu microunde și se poate despica sau crăpa.

SFATURI PRIVIND PREPARAREA

Factorii de mai jos pot afecta rezultatul preparării:

Disponerea alimentelor

Dispuneți părțile mai groase ale alimentelor către exteriorul platoului rotativ, iar pe cele mai subțiri către mijlocul acestuia. Dacă este posibil, nu suprapuneți alimentele.

Durata preparării

Începeți procesul cu o durată redusă de preparare, observați rezultatul, apoi măriți durata după caz. Prepararea excesivă poate provoca fum sau arsuri.

Prepararea uniformă a alimentelor

Produsele cum ar fi carnea de pui, hamburgerii sau friptura trebuie întoarse în timpul preparării. În funcție de tipul de aliment, dacă este cazul, amestecați în recipient dinspre exterior către centru, o dată sau de două ori.

Lăsați alimentele să se „pătrundă”

După finalizarea preparării, lăsați alimentele în cuptor pentru o perioadă de timp adecvată, permițând acestora să se „pătrundă” și să se răcească treptat.

Verificarea alimentelor

Verificați culoarea și consistența alimentelor, pentru a vă asigura că acestea sunt bine preparate:

- Verificați dacă aburul iese de pe toată suprafața preparatului, nu numai de pe margine
- Verificați dacă articulațiile cărnii de pasăre pot fi mișcate cu ușurință
- Asigurați-vă că în carnea de porc sau de pasăre nu mai este sânge
- Asigurați-vă că peștele este opac și că poate fi tăiat ușor cu furculița

Utilizarea unui vas special pentru rumenire

Atunci când utilizați un vas pentru rumenire sau un recipient cu autoîncălzire, puneți întotdeauna sub acesta un izolator termorezistent, cum ar fi o farfurie de porțelan, pentru a preveni deteriorarea platoului rotativ și a inelului rotativ.

Utilizarea unei folii de plastic

Atunci când preparați alimente cu un conținut ridicat de grăsimi, nu lăsați folia din plastic să intre în contact cu alimentele, deoarece aceasta se poate topi.

Utilizarea unor recipiente din plastic corespunzătoare

Este posibil ca anumite vase din plastic pentru microunde să nu fie potrivite pentru prepararea alimentelor cu un conținut ridicat de grăsimi sau zahăr. De asemenea, durata de preîncălzire specificată în manualele de instrucțiuni ale recipientelor nu trebuie depășită.

7. CURĂȚARE ȘI ÎNTREȚINERE

CURĂȚARE

1. După utilizare, curățați interiorul cuptorului cu o cârpă ușor umezită.
2. Curățați periodic accesoriile în apă cu detergent.
3. Cadrul și garnitura ușii, precum și componentele învecinate trebuie curățate cu grijă cu o cârpă umedă, atunci când se murdăresc.
4. Nu utilizați agenți de curățare abrazivi sau bureți metalici pentru curățarea geamului ușii cuptorului, deoarece acesta se poate zgâria sau se poate sparge.
5. Recomandare privind curățarea --- Pentru o curățare mai ușoară a pereților interiorului pe care alimentele gătite îi pot atinge: Puneți o jumătate de lămâie într-un castron, adăugați 300 ml de apă și utilizați cuptorul cu microunde la putere maximă (100%) timp de 10 minute. Ștergeți cuptorul cu o cârpă moale și uscată.

Testarea ustensilelor:

1. Umpleți un recipient adecvat pentru utilizare în cuptorul cu microunde 1 cană de apă rece (250 ml) împreună cu ustensila pe care doriți să o testați.
2. Puneți aparatul în funcțiune la putere maximă timp de 1 minut.
3. Atingeți cu atenție ustensila. Dacă ustensila este caldă, nu o utilizați pentru prepararea cu microunde.
4. Nu depășiți durata de 1 minut.

MĂSURI DE PROTECȚIE PRIVIND DEPANAREA

Atenție: RADIAȚII DE MICROUNDE

1. Energia electrică este prezentă în condensatorul de înaltă tensiune după deconectarea de la sursa de alimentare. Scurtcircuitați borna negativă a condensatorului de înaltă tensiune cu cadrul cuptorului (utilizați o șurubelniță) pentru a-l descărca înainte de a-l atinge.
2. În timpul efectuării reparațiilor, componentele de mai jos pot fi înlocuite și au potențiale electrice de peste 250 V.
 - Magnetron
 - Transformator de înaltă tensiune
 - Condensator de înaltă tensiune
 - Diodă de înaltă tensiune
 - Siguranță de înaltă tensiune
3. Împrejurările descrise mai jos pot duce la expunerea excesivă la acțiunea microundelor:
 - Instalarea necorespunzătoare a magnetronului.
 - Montarea incorectă a sistemului de blocare a ușii, a balamalelor sau a ușii.
 - Instalarea incorectă a întrerupătorului.
 - Ușa, garnitura ușii sau carcasa au fost deteriorate.

8. DEPANARE

Normal	
Cuptorul cu microunde interferează cu recepția TV	Funcționarea cuptorului cu microunde poate provoca interferențe în recepția radio sau TV. Acestea sunt similare cu interferențele cauzate de către aparatele electrice de mici dimensiuni, cum ar fi mixerele, aspiratoarele și ventilatoarele electrice. Acest lucru este normal.
Lumina cuptorului este slabă	În cazul preparării cu microunde la putere redusă, lumina cuptorului poate să fie slabă. Acest lucru este normal.
Aburul se acumulează în dreptul ușii, iese aer fierbinte prin orificiile de aerisire.	În timpul preparării, poate ieși abur din alimente. O mare parte din acest abur iese prin orificiile de aerisire. Totuși, o parte din acest abur se poate acumula în dreptul ușii cuptorului. Acest lucru este normal.
Cuptorul a pornit accidental fără mâncare în interior.	Nu este permisă utilizarea aparatului fără mâncare în interior. Acest lucru este foarte periculos.

Problemă	Cauză posibilă	Soluții
Cuptorul nu poate fi pornit.	(1) Cablul de alimentare nu este conectat corespunzător.	Scoateți ștecărul din priză. Așteptați 10 secunde, apoi introduceți-l la loc în priză.
	(2) Siguranța este arsă sau întrerupătorul de circuit s-a activat.	Înlocuiți siguranța sau resetați întrerupătorul de circuit (reparat de către personal specializat)
	(3) Probleme cu priza.	Testați priza cu alte aparate electrice.
Cuptorul nu încălzește	(4) Ușa nu este închisă bine.	Închideți ușa corespunzător.

DATE TEHNICE

Model	HWM-MD23AFBK
Amperaj	230V~ 50 Hz
Putere nominala	1450 W
Putere cuptor	900 W
Grill	1000 W
Convectie	1680 W



MASURI PENTRU PROTECTIA MEDIULUI

Va informam ca persoanele fizice au urmatoarele obligatii prin legislatia specifica privind protectia mediului si regimul deseurilor:

- Deseurile de echipamente electrice si electronice (DEEE), pot contine substante periculoase pentru mediu si sanatatea umana. Conform OUG 5/2015, exista obligativitatea predarii acestora, pentru tratarea corespunzatoare si valorificarea componentelor reciclabile. Societatea Network One Distribution S.R.L. este platitoare de taxa de "timbru verde" pentru fiecare Echipament Electric si Electronic (EEE) pe care il pune pe piata. Acest cost asigura tratarea ulterioara a echipamentelor uzate colectate. Din acest motiv, odata ce devine deseu, produsul EEE poate fi predat gratuit operatorului Dvs. de salubritate, la magazine atunci cand achizitionati alt echipament similar, sistemul "unul la unu" sau la punctul de colectare organizat de Primaria Sectorului / localitatii Dvs.
- Simbolul (marcajul) aplicat produselor, care indica faptul ca deseurile DEEE, bateriile si acumulatorii - fac obiectul unei colectari separate, il reprezinta o pubela barata cu o cruce.



Aceste masuri vor ajuta la protejarea mediului

Societatea Network One Distribution S.R.L. este inregistrata in Registrul de punere pe piata a echipamentelor electrice si electronice, avand numarul de inregistrare: RO-2016-03-EEE-0201-IV. De asemenea, au fost intocmite si sunt gestionate: Registrul de Retragere EEE si Registrul de Rechemare EEE, in conformitate cu HG 322/2013. Totodata societatea este inregistrata in Registrul de punere pe piata a bateriilor, avand numarul de inregistrare: RO-2011-03-B&A-0283.

Conformitatea cu directiva RoHS: Produsul pe care l-ați cumpărat este conform cu Directiva RoHS UE (2011/65/UE). Nu conține materialele dăunătoare și interzise specificate în Directivă.

Va multumim ca participati alaturi de noi la protejarea mediului si a sanatatii umane!



HEINNER este marcă înregistrată a companiei **Network One Distribution SRL**. Celelalte branduri și denumirile produselor sunt mărci de comerț sau mărci de comerț înregistrate ale respectivilor deținători.

Nicio parte a specificațiilor nu poate fi reprodusă sub nicio formă și prin niciun mijloc, nici utilizată pentru obținerea unor derivate precum traduceri, transformări sau adaptări, fără consimțământul prealabil al companiei NETWORK ONE DISTRIBUTION.

Copyright © 2013 Network One Distribution. Toate drepturile rezervate.

www.heinner.com, <http://www.nod.ro>



Acest produs este proiectat și realizat în conformitate cu standardele și normele Comunității Europene.



Importator: **Network One Distribution**

Str. Marcel Iancu, nr. 3-5, București, România

Tel: +40 21 211 18 56, www.heinner.com , www.nod.ro

МИКРОВЪЛНОВА ПЕЧКА

Модел:

HMW-MD23AFBK



- Микровълнова печка
- Общ капацитет: 23 л.

HEINNER

1. ВЪВЕДЕНИЕ

Моля прочетете внимателно инструкциите и запазете наръчника за бъдещи справки.

Този наръчник има за цел да Ви предостави всички необходими инструкции по отношение на инсталирането, използването и поддържането на уреда. Преди инсталиране и използване на уреда, с цел правилна и безопасна употреба на уреда, моля прочетете внимателно този наръчник с инструкции.

2. СЪДЪРЖАНИЕ НА ВАШИЯ ПАКЕТ

- ➔ микровълнова печка
- ➔ Наръчник за употреба
- ➔ Сертификат за гаранция

3. СЪДЪРЖАНИЕ НА ВАШИЯ ПАКЕТ

ОБЩИ УКАЗАНИЯ

ПРЕДУПРЕЖДЕНИЕ: НЕ ВКЛЮЧВАЙТЕ МИКРОВЪЛНОВАТА ФУРНА, АКО ВЪВ ВЪТРЕШНОСТТА Й НЕ Е ПОСТАВЕН СЪД С ХРАНИ ИЛИ ТЕЧНОСТИ. ТОВА МОЖЕ ДА ДОВЕДЕ ДО ПОВРЕЖДАНЕ НА ФУРНАТА.

ПРЕДУПРЕЖДЕНИЕ: Ако вратата/уплътнението на вратата е повредено, спрете да използвате уреда, докато не бъде ремонтирано от квалифицирано лице.

ПРЕДУПРЕЖДЕНИЕ: Извършването на операции за поддръжка или на ремонти, които включват отстраняване на корпусите, които предлагат защита от микровълни, е опасно за неквалифицирани лица. **ПРЕДУПРЕЖДЕНИЕ:** Не нагрявайте течности или други храни в херметически затворени съдове, тъй като те могат да експлодират. В случай на изтичане поради повреждане на компонентите на топлообменника, преместете хладилника далеч от източници на открит огън или топлина и проветрете за няколко минути помещението, където се намира уреда.

1. Използвайте само съдове, които са подходящи за използване в микровълнова фурна.
2. Не използвайте метални контейнери за течности или храни в микровълновата фурна.
3. Тогава, когато затопляте храни в пластмасови или хартиени съдове, има риск от тяхно запалване. Поради тази причина, процесът на затопляне трябва да се наблюдава постоянно.
4. Микровълновата фурна е предназначена за затопляне на храни и напитки. Изсушаването на храни или дрехи, затоплянето на възглавници, чехли, гъби за почистване, влажни кърпи или на други подобни предмети може да доведе до риск от нараняване или до възникване на пожар.
5. Ако забележите дим, изключете уреда или извадете щепсела от източника на захранване и дръжте вратата затворена, за да задушите евентуални пламъци. Микровълновото нагряване на напитки може да доведе до изпръскване поради продължително кипене; затова трябва да се обърне специално внимание при боравене с контейнера.
6. С цел предотвратяване на изгарянията разклатете бибероните и бурканите с детски храни или смесете тяхното съдържание и проверете температурата на храните преди да започнете храненето на децата.
7. Не нагрявайте във фурната яйца с кората или варени яйца, защото могат да експлодират дори и след приключване на процеса на затопляне.-
8. Ако фурната не се поддържа чиста, нейните повърхности могат да се повредят, като времето за

употреба на продукта може да се намали и могат да възникнат дори опасни ситуации.

9. Уредът не трябва да се монтира в шкаф.
10. Действайте внимателно, така че да не разместите въртящата се плоча, когато изваждате контейнерите от уреда.
11. Уредът не трябва да се почиства с парочистачка.
12. Уредът не трябва да се инсталира на повече от 900 мм над пода. Необходимото свободно пространство над горната повърхност на фурната: Вижте схемата за инсталиране.

ПРЕДУПРЕЖДЕНИЕ: Тогава, когато уредът се използва в режим на комбинирано приготвяне, децата трябва да използват фурната само под наблюдение на възрастно лице, защото във фурната се образуват много високи температури.

13. С цел предотвратяване на опасности, ако захранващият кабел е повреден, трябва да се подмени от производителя, от неговия сервизен представител или от лица с подобна квалификация.
14. Уредът може да се използва от деца на възраст от 8 години и от лица с намалени физически, сетивни или умствени възможности, които нямат опит или познания само, ако са наблюдавани или обучени относно безопасната употреба на уреда и, ако разбират опасностите, свързани с употребата.
15. Децата нямат право да си играят с уреда.
16. След инсталиране на уреда, щепселът трябва да остане лесно достъпен.
17. Този уред не трябва да се монтира в шкаф с врата.
18. Светлинният поток на вътрешния светодиоден светлинен източник на този продукт е < 60lm.
19. По време на употреба уредът се нагрива. Предотвратявайте докосването на нагревателните елементи от вътрешността на фурната.

ПРЕДУПРЕЖДЕНИЕ: Достъпните компоненти могат да се нагриват по време на употреба. Децата на малка възраст трябва да стоят далеч от уреда.

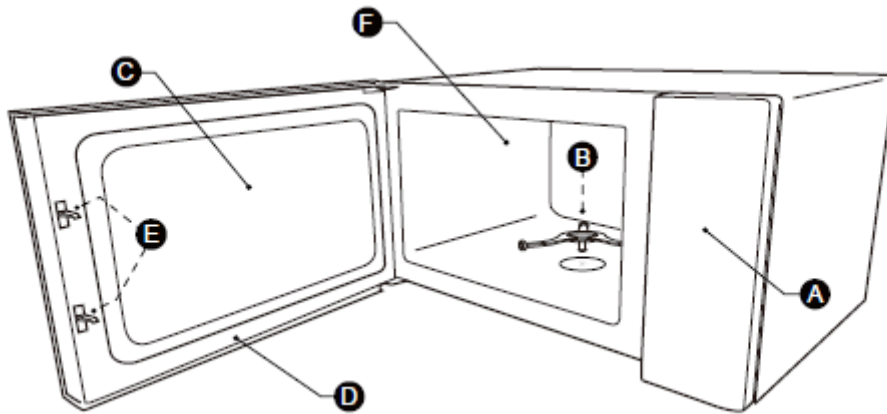
ПРЕДУПРЕЖДЕНИЕ: Уредът и достъпните му зони може да се нагриват по време на употреба.

20. Избягвайте докосването на местата, които се нагриват.
21. Не допускайте деца под 8 години около уреда само, ако не са под непрекъснат надзор.
22. Не използвайте абразивни агенти за почистване или метални телчета с цел почистване на стъклото на вратата на фурната, защото може да се надраска или спука.
23. За да се предотврати прегряване, уредът не трябва да се инсталира зад декоративна врата. Уредът може да се използва от деца на възраст най-малко 8 години и от лица с намалени физически, сетивни или умствени способности, или с липса на достатъчен опит и познания, само ако са под наблюдение или са получили указания във връзка с използването на уреда по безопасен начин и ако разбират опасностите, които могат да възникнат при използване на уреда. Децата нямат право да си играят с уреда. Почистването и поддръжката не трябва да се извършват от деца при липса на детайли, указващи правилното инсталиране на рафтовете.

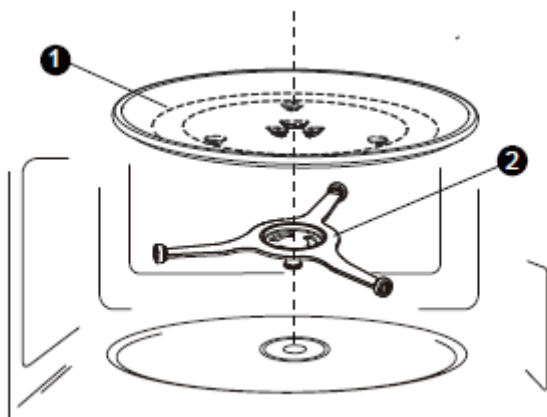
ЗАБЕЛЕЖКИ:

- Моля, прочетете внимателно наръчника с инструкции преди инсталиране и използване на Вашия уред. Не поемаме никаква отговорност за щети, които са се появили вследствие на несъответстваща употреба.
- Спазвайте всички инструкции върху уреда и от наръчника с инструкции и съхранявайте този наръчник на сигурно място, за да отстраните проблемите, които могат да възникнат в бъдеще.
- Този уред е предназначен за домашна употреба и не трябва да се използва за цели, различни от посочените. Не е подходящ за търговска или съвместна употреба. Такъв вид употреба ще доведе до анулиране на гаранцията на уреда, а нашата компания няма да носи отговорност за загубите, които ще възникнат.
- Този уред с произведен с цел домашна употреба и е подходящ само за охлаждане/съхраняване на храни. Не е подходящ за търговска или съвместна употреба и/или за съхраняване на нехранителни вещества. Нашата компания не носи отговорност за загуби, които могат да възникнат в противен случай.

4. ОПИСАНИЕ НА ПРОДУКТА



- A. Контролен панел
- B. Въртяща се чиния
- C. Прозорец за наблюдение
- D. Сглобяване на вратата
- E. Система за блокиране на безопасността
- F. Отворена кухня

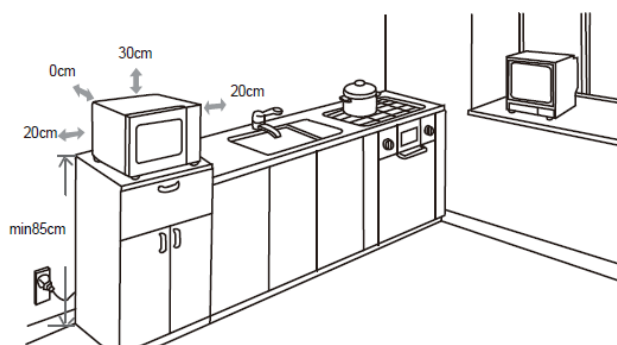


1. Въртяща се ос
2. Монтаж на пръстена на грамофона

- а. При никакви обстоятелства не поставяйте ротативната чиния с горната страна надолу. Ротативната чиния трябва да се върти без затруднения.
- б. Ротативната чиния и ротативният пръстен трябва да се използват винаги по време на готвене.
- в. Уверете се, че всички храни и контейнери с храни са поставени върху ротативната чиния с цел готвене.
- г. Ако ротативната чиния или ротативният пръстен се напукат или счупят, свържете се с най-близкия оторизиран сервиз.

5. ИНСТАЛИРАНЕ

Изберете равна повърхност, която осигурява достатъчно свободно пространство за входа и/или изхода вентилационните отвори.



Минималната височина за инсталиране е 85 см.

(2) Задната страна на уреда трябва да бъде до стена.

Оставете място поне 30 см над фурната. Необходимо е да оставите разстояние най-малко 20 см между фурната и съседните стени.

(3) Не изваждайте крачетата от долната страна на фурната.

(4) Блокирането на входящите и/или изходящите отвори може да доведе до повреда на фурната.

(5) Поставете фурната възможно най-далеч от радиоприемници и телевизори.

Работата на микровълновата фурна може да причини смущения в радио или телевизионното приемане.

2. Свържете фурната към стандартен електрически контакт за домашна употреба. Уверете се, че напрежението и честотата, посочени върху табелката с технически данни на уреда, съответстват на напрежението и честотата, налични на мястото на употреба.

ПРЕДУПРЕЖДЕНИЕ: Не поставяйте фурната върху готварска печка (на газ или електрическа) или върху друг уред, който произвежда топлина. Ако се инсталира близо до или над източник на топлина, фурната може да се повреди, като това води до анулиране на гаранцията.

6. ИЗПОЛЗВАНЕ НА КОНТРОЛНИЯ ПАНЕЛ

1. Настройване на часовника

(1) Натиснете "Clock/Timer" (Часовник/таймер) веднъж, след което на дисплея ще се появи "00:00". Цифрите на часа ще мигат.

(2) Натиснете цифровите клавиши, за да зададете часовите цифри.

(3) Натиснете "Time Cook" (Време за готвене) веднъж, след което натиснете цифровите клавиши, за да зададете времето за готвене,

(3) Натиснете "Clock/Timer" (Часовник/таймер), за да потвърдите.

(4) Натиснете цифровите клавиши, за да зададете цифрите на минутите.

(5) Натиснете "Clock/Timer" (Часовник/таймер), за да потвърдите. Часовникът е настроен (максималната стойност е 23:59).

Бележки: В случай на необходимост, можете да използвате функцията "Часовник", за да се уверите, че е налице:

(1) Ако часовникът не е настроен, той няма да работи при хранване.

(2) В процеса на настройване на часовника, ако бутонът "Clock/Timer" не е натиснат

или не се извърши операция в рамките на 1 минута, фурната ще се върне към предишната настройка.
 (3) Ако въведените цифри не са в рамките на 23:59, настройката няма да бъде приета, докато не бъдат въведени валидни цифри.

2. Микровълново готвене

Готвене с микровълни

Натиснете един път върху бутона „POWER“ и върху цифровия екран ще се появи надпис „PL10“.

Мощността по подразбиране е 100%. Сега може да натиснете върху цифровите бутони, за да регулирате нивото на мощност.

Натиснете един път бутона „TIME COOK“ и върху цифровия екран ще се появи надпис „00:00“.

Натиснете върху цифровите бутони, за да въведете продължителността за готвене. Максималната продължителност за готвене е 99 минути и 99 секунди.

Ниво	10	9	8	7	6	5	4	3	2	1	0
Захранване (%)	100	90	80	70	60	50	40	30	20	10	0
Дисплей	PL10	PL09	PL08	PL07	PL06	PL05	PL04	PL03	PL02	PL10	PL00

3. Кухненски таймер

(1) Натиснете бутона „KITCHEN TIMER“. Върху цифровия екран ще се изпише 00:00 и първата цифра на часа ще мига.

(2) Натиснете върху цифровите бутони и въведете продължителността (максималната продължителност е 99 минути и 99 секунди).

(3) Натиснете бутона „START/+30SEC.“, за да потвърдите настройката.

4. Настройване на кухненския таймер

(1) Натиснете неколккратно върху бутона „Grill/Combi“ за да изберете режима и върху цифровия екран ще се изписват в тази последователност „G“ (grill), „C-1“, „C-2“, „C-3“, „C-4“.

(2) Натиснете върху цифровите бутони, за да въведете продължителността за готвене. Максималната стойност на продължителността е „99:99“.

(3) Натиснете бутона „START/+30SEC.“, за да започнете готвенето.

Инструкции	Дисплей	Микровълнова печка	Грил	Конвекция
1	G		•	
2	C-1	•		•
3	C-2	•	•	
4	C-3		•	•
5	C-4	•	•	•

5. Конвекторното готвене (с и без предварително нагряване)

Натиснете един път върху бутона „Convex.“ и върху цифровия екран ще се появи надпис „Con“.

Натиснете неколккратно върху бутона „Convex.“, за да настроите температурата. На разположение са 10 опции.

Натиснете бутона „START/+30SEC.“, за да потвърдите температурата.

Натиснете отново бутона „START/+30SEC.“, за да започне предварителното нагряване.

Когато приключи предварителното нагряване, уредът ще издаде кратък звуков сигнал два пъти. Ще се изписва температурата и ще премигва върху цифровия екран. Отворете вратата, след което я затворете (ако не е необходимо предварително нагряване, моля, пропуснете тази стъпка). Завъртете бутона, за да настроите продължителността за готвене. Максималната стойност на продължителността е „99:99”. Натиснете бутона „Start/+30Sec.”, за да започнете готвенето.

6. Defrost by Weight

Размразяване в зависимост от продължителността

- (1) Натиснете бутона „TIME DEFROST” и върху цифровия екран ще се появи надпис „d-1”.
- (2) Натиснете цифровите клавиши, за да зададете теглото на храната. Теглото трябва да е в рамките на 100-2000 г.
- (3) Натиснете бутона „START/+30SEC.”, за да започне размразяването. Цифровият екран ще показва оставащото време за готвене.

7. Defrost by time

Размразяване в зависимост от продължителността

- (1) Натиснете бутона „TIME DEFROST” и върху цифровия екран ще се появи надпис „d-2”.
- (2) Натиснете върху цифровите бутони, за да въведете продължителността за размразяване. Ефективният времеви интервал е между 00:01 и 99:99.
- (3) Натиснете бутона „START/+30SEC.”, за да започне размразяването. Цифровият екран ще показва оставащото време за готвене.

8. Готвене в няколко етапа

Забележки: (1) Може да се настройат само два етапа на готвене. По време на един етап уредът ще издаде един звуков сигнал два пъти, за да Ви напомни да обърнете храните, след като изтече половината от времето. Уредът ще издаде един звуков сигнал при приключване на първия етап.

- (2) В първия етап ще се активира функцията за размразяване.
- (3) Функциите „Кухненски таймер”, „Автоматично меню”, „Предварително нагряване” и „Бързо готвене” не могат да бъдат зададени като един от етапите на готвене в няколко етапа.
- (4) Текущата продължителност може да бъде увеличена чрез натискане на бутона „Start/+30Sec” при готвене на няколко етапа.
- (1) Натиснете един път върху бутона „Defrost” и върху цифровия екран ще се появи надпис „d-1”.
- (2) Натиснете „5”, „0”, „0”, за да настроите теглото на размразяване на 500 г.
- (3) Натиснете неколккратно върху бутона „Power”, докато се изпише на цифровия екран „PL09”.
- (4) Натиснете един път върху бутона „Time Cook”, след което натиснете върху цифровите бутони, за да зададете продължителността за готвене на 07:00.
- (5) Натиснете бутона „START/+30SEC.”, за да започнете готвенето.

9. Бързо готвене

- (1) В режим на готовност натиснете "Start/+30sec.", за да работите 30 секунди със 100% мощност директно. натиснете цифровите клавиши, за да промените времето за готвене. Натиснете "Старт/+30сек.", за да започнете готвенето.
- (2) Натиснете цифровите клавиши "1-6", за да работите с "1-6" минути за 100% мощност директно.

10. Функция за заключване против задействане от деца

Може да използвате тази функция, за да предотвратите случайното включване на уреда от деца. За активиране на функцията за заключване:

Когато уредът е в режим на изчакване, натиснете и задръжте натиснат бутона „Stop/Cancel” за 3 секунди. Уредът издава един дълъг звуков сигнал и върху цифровия екран се показва пиктограмата, свързана с функцията за заключване.

За деактивиране на функцията за заключване:

11. Функция за запаметяване

Тази функция позволява съхраняване на настройките за един вид ястие в паметта на уреда, както и последващия достъп до тях.

(1) Натиснете бутона „Memory”, за да изберете процедура за запаметяване от 1 до 3. Върху цифровия екран ще се изписва „1”, „2” и „3” в тази последователност.

(2) Ако процедурата е зададена, натиснете бутона „Start/+30sec.”, за да започне работата. В противен случай, моля, продължете с настройването на процедурата.

(3) След завършване на настройката натиснете един път върху бутона „Start/+30sec.”, за да бъде запаметена процедурата.

Пример: Запаметена процедура 2 (за готвене на храни с 80% от мощността на микровълните за 3 минути)

(1) Когато уредът се намира в режим на изчакване, натиснете два пъти върху бутона „Memory”.

(3) Натиснете неколkokратно върху бутона „Power”, докато се изпише на цифровия екран „PL08”.

(2) Натиснете бутона „Time Cook”, след което натиснете последователно върху цифровите бутони „3”, „0”, „0”.

(4) Натиснете бутона „Start/+30Sec.”, за да запаметите настройката и върху цифровия екран ще се появи надпис „2”.

Забележки: Ако захранването не е прекъснато, процедурата ще се запамети във всички ситуации.

Конвекторното готвене с предварително нагриване и автоматичното меню не може да бъдат зададени във функцията за запаметяване.

12. Функция ECO

Активиране на функция ECO:

Когато уредът се намира в режим на изчакване, натиснете бутона „Stop/Cancel”. Също така, ако не е задействан нито един бутон за 10 минути, цифровият екран ще се изключи.

Деактивиране на функция ECO: Когато функцията ECO е активна, натиснете произволен бутон, отворете или затворете вратата на фурната.

13. Функция за изписване на информация

Ако часовникът е настроен, текущият час ще се изпише за три секунди чрез натискане на бутона „Clock/Timer” по време на готвене.

14. Автоматично меню

(1) Натиснете два пъти "Картоф", на дисплея се показва "2".

(2) Натиснете "Старт/+30сек.", за да започнете готвенето.

Например, готвене на 2 картофа по следния начин:

Забележка: Времето за готвене в автоматичното меню не може да се задава.

(2) Натиснете "Старт/+30сек.", за да започнете готвенето.

(1) Натиснете съответния клавиш от менюто, за да зададете теглото му.

Забележка: Времето за готвене от автоматичното меню не може да бъде зададено.

Меню	Тегло	Дисплей
Картофи	1 (230g)	1
	2 (460g)	2
	3 (690g)	3
Замразена пица	100 g	100 g
	200 g	200 g
	350 g	350 g
Зеленчуци	150 g	150 g
	350 g	350 g
	500 g	500 g
Супа	200 g	200 g
	400 g	400 g
	600 g	600 g
Месо	150 g	150 g
	300 g	300 g
	450 g	450 g
	600 g	600 g

15. Airfry Menu

(1) Натиснете неколkokратно бутона „Air Fry”, за да изберете желаното меню. Екранът ще изписва последователно от H1 до H10.

(2) Натиснете "Старт/+30сек.", за да започнете готвенето.

Дипляна	Airfry Меню	Тегло/количество
H1	Печени банани	2
H2	Аспержи на скара	250 g
H3	Немски кашкавал BratWurts	450 g
H4	Пилешки гърди в гръб	600 g
H5	Сьомга на скара	250 g
H6	Бисквитки с шоколадов чипс	240 g
H7	Ябълки с мед	4
H8	Бананов хляб	3а 670 g
H9	Боровинки	3а 740 g
H10	Чеснов хляб	3а 740 g

УКАЗАНИЯ ЗА ИЗПОЛЗВАНЕ НА СЪДОВЕТЕ

Материали, които може да използвате в микровълновата фурна.

Предмети	Забележки
Съд за запичане	Спазвайте инструкциите на производителя. Долната страна на съда за запичане трябва да бъде поне 5 мм над ротативната чиния. Неправилната употреба може да причини счупване на ротативната чиния.
Кухненски съдове	Само най-подходящите за използване в микровълнова фурна. Спазвайте инструкциите на производителя. Не използвайте напукани или нащърбени съдове.
Стъклени буркани	Винаги отстранявайте капака. Използвайте ги само за леко затопляне на храните. Повечето стъклени буркани не са топлоустойчиви и може да се счупят.
Стъклени съдове	Само съдове от топлоустойчиво стъкло, които може да се използват в микровълнова фурна. Уверете се, че нямат метални орнаменти. Не използвайте напукани или нащърбени съдове.
Торбички за печене	Спазвайте инструкциите на производителя. Не затваряйте с метална връзка. Направете разрези, за да позволите на парата да излиза.
Хартиени чинии и чаши	Да се използват само за краткотрайно готвене/затопляне. Не оставяйте фурната без надзор по време на готвене.
Кухненска хартия	Да се използва за покриване на храните с оглед претопляне и абсорбиране на мазнина. Да се използва под наблюдение, само за краткотрайно готвене.
Хартия за печене	Използвайте като покривало за предотвратяване на пръски или за готвене с пара.
Пластмасови предмети	Само най-подходящите за използване в микровълнова фурна. Спазвайте инструкциите на производителя. Трябва да бъдат етикетирани с надпис „Безопасно за използване в микровълнова фурна“. Някои пластмасови контейнери омекват, докато се нагряват храните вътре. „Торбичките за варене“ и херметически затворените найлонови торбички трябва да се нарязват, пробиват или отварят съгласно указанията върху опаковката.
Пластмасово фолио	Само най-подходящото за използване в микровълнова фурна. Да се използва за покриване на храните по време на готвене, за да се задържа влагата. Не позволявайте пластмасовото фолио да се допира до храните.
Термометри	Само най-подходящите за употреба в микровълнова фурна (термометри за месо и сладкиши).
Восъчна хартия	Използвайте като покривало за предотвратяване на пръски или за задържане на влагата.

Материали, които трябва да се избягват да се използват в микровълнова фурна.

Прибори	Забележки
Алуминиева тава	Може да предизвика образуването на електрическа дъга. Прехвърлете храните в подходящ съд за използване в микровълнова фурна.
Кутия за храни с метална дръжка	Може да предизвика образуването на електрическа дъга. Прехвърлете храните в подходящ съд за използване в микровълнова фурна.
Метални прибори или с метални орнаменти	Металът предпазва храните от енергията, генерирана от микровълновата фурна. Металните орнаменти могат да предизвикат образуването на електрическа дъга.
Метални връзки	Може да предизвикат образуването на електрическа дъга и може да причинят пожар във фурната.
Хартиени торбички	Могат да предизвикат пожар във фурната.
Пластмасова пяна	Пластмасовата пяна може да се стопи или може да замърси течността вътре, когато е изложена на високи температури.
Дърво	Дървото изсъхва, когато се използва в микровълнова фурна и може да се разцепи или напука.

СЪВЕТИ ЗА ПРИГОТВЯНЕ НА ХРАН

Факторите по-долу могат да засегнат резултата от приготвянето:

Разполагане на храните

Разположете по-дебелите части на храните към външната част на въртящата се чиния, а по-тънките към нейната среда. Ако е възможно, не поставяйте храните едни върху други.

Времетраене на приготвянето

Започнете процеса с намалено времетраене за приготвяне, вижте резултата, след това увеличете времетраенето според случая. Прекомерно дългото приготвяне може да образува дим или изгаряния.

Равномерно приготвяне на храните

Продукти като пилешко месо, хамбургери или пържоли трябва да се обръщат по време на приготвяне.

В зависимост от вида на храната, ако е необходимо, размесвайте в съда откъм външната страна към средата, един път или два пъти.

Оставете храните да се "смесят"

След приключване на приготвянето, оставете храните във фурната за адекватен период от време, като им позволите да се "смесят" и да изстинат постепенно.

Проверка на храните

Проверете цвета и гъстотата на храните, за да се уверите, че са добре пригответени:

- Проверете дали парата излиза от цялата повърхност на препарата, не само от края
- Проверете дали ставите на пилешкото месо могат да бъдат раздвижени с лекота
- Уверете се, че в свинското или птичето месо няма вече кръв
- Уверете се, че рибата е непрозрачна и може да бъде нарязана лесно с вилица

Използване на специален съд за препичане

Тогава, когато използвате съд за препичане или съд за автоматично затопляне, винаги поставяйте под него термоустойчив изолатор, като порцеланова чиния, за да се предотврати повреждането на въртящата се чиния и въртящия се пръстен.

Използване на стреч фолио

Тогава, когато приготвяте храни с високо съдържание на мазнини, не оставяйте стреч фолиото да контактува с храните, защото може да се разтопи.

Използване на съответстващи пластмасови съдове

Възможно е определени пластмасови съдове за микровълни да не са подходящи за приготвяне на храни с високо съдържание на мазнини или захар. Също така, времетраенето за претопляне, посочено в наръчниците с инструкции на съдовете, не трябва да се превишава.

7. ПОЧИСТВАНЕ И ПОДДРЪЖКА

ПОЧИСТВАН

Уверете се, че изключвате уреда от източника на захранване с електроенергия.

1. След употреба почиствайте вътрешността на фурната с леко влажна кърпа.
2. Периодично почиствайте аксесоарите във вода с препарат за миене.

3. Рамката и уплътнението на вратата, както и съседните компоненти, трябва да се почистват внимателно с влажна кърпа, когато се замърсят.
4. Не използвайте абразивни почистващи препарати или телчета за съдове с цел почистване на стъклото на вратата на фурната, тъй като може да се надраска или счупи.
5. Препоръка за почистване --- За по-лесно почистване на вътрешните стени, върху които може да има готвена храна: Поставете половин лимон в купа, добавете 300 мл вода и използвайте микровълновата фурна на пълна мощност (100%) за 10 минути. Избърсвайте фурната с мека и суха кърпа.

Тестване на прибори:

1. Напълнете подходящ контейнер за използване в микровълнова фурна с 1 чаша студена вода (250 мл) заедно с прибора, който искате да тествате.
2. Включете уреда на пълна мощност за 1 минута.
3. Докоснете внимателно прибора. Ако приборът е топъл, не го използвайте за готвене с микровълни.
4. Не надвишавайте продължителността от 1 минута.

Внимание: РАДИАЦИИ НА МИКРОВЪЛНИ

1. Има електрическа енергия в кондензатора за високо напрежение след изключване от източника на захранване. Направете късо-съединение между негативния полюс на кондензатора за високо напрежение и рамката на фурната (използвайте отвертка), за да го разреждате, преди да го докоснете.
2. По време на извършване на ремонти, компонентите по-долу могат да бъдат подменени и имат електрически потенциал над 250 V:
 - Магнетрон;
 - Трансформатор за високо напрежение;
 - Кондензатор за високо напрежение;
 - Диод за високо напрежение;
 - Предпазител за високо напрежение.
3. Описаните по-горе обстоятелства могат да намалят прекомерното излагане на действието на микровълните:
 - Несъответстващото инсталиране на магнетрона;
 - Неправилното монтиране на пантите, на вратата или на системата за блокиране на вратата;
 - Несъответстващото инсталиране на прекъсвача;
 - Вратата, уплътнението на вратата или корпусът са повредени.

8. ОТСТРАНЯВАНЕ НА НЕИЗПРАВНОСТИ

Нормално	
Микровълновата фурна смущава приемането на телевизионен сигнал.	Работата на микровълновата фурна може да причини смущения в радио или телевизионното приемане. Те са подобни на смущенията, причинени от малки електрически уреди като миксери, прахосмукачки и електрически вентилатори. Това е нормално.
Светлината на фурната е слаба	Когато готвите с микровълни при ниска мощност, светлината на фурната може да е слаба. Това е нормално.
Парата се натрупва близо до вратата, излиза горещ въздух през вентилационните отвори.	По време на готвене от храната може да излиза пара. Голяма част от тази пара излиза през вентилационните отвори. Въпреки това, част от тази пара може да се натрупа близо до вратата на фурната. Това е нормално.
Фурната е включена случайно без храна вътре.	Не е позволено използването на уреда без храна вътре. Това е много опасно.

Проблем	Възможна причина	Решения
Фурната не може да се включи.	(1) Захранващият кабел не е свързан по съответстващ начин.	Извадете щепсела от контакта. Изчакайте 10 секунди, след което го включете отново в контакта.
	(2) Предпазителят е изгорял или прекъсвачът се е задействал.	Сменете предпазителя или вдигнете прекъсвача (ремонтиран от квалифициран персонал).
	(3) Проблеми с електрическия контакт.	Тествайте контакта с други електрически уреди.
Фурната не се нагрява.	(4) Вратата не е добре затворена.	Затворете вратата по съответстващ начин.

СЕРВИЗ И ОБСЛУЖВАНЕ НА КЛИЕНТИ

Модел	HWM-MD23AFBK
Номинално напрежение	230V~ 50 Hz
Микровълнов вход	1450 W
Микровълнова мощност	900 W
Грил	1000 W
Конвекция	1680 W

**Изхвърляне на отпадъците по начин, отговорен за околната среда**

Можете да помогнете за опазването на околната среда!

Моля спазвайте местните разпоредби: Предайте нефункциониращото електрическо оборудване на център за събиране на отпадъци от електрическо оборудване.

**HEINNER е регистрирана марка на компанията Network One Distribution SRL.**

Останалите търговски марки и наименованията на продуктите са търговски марки или регистрирани търговски марки на съответните им притежатели.

Нито една част от спецификациите не може да бъде възпроизвеждана под каквато и да е форма или средство, или използвана за получаване на производни като преводи, трансформации или адаптации, без предварителното съгласие на компанията NETWORK ONE DISTRIBUTION.

Copyright © 2013 Network One Distribution. Всички права запазени.

www.heinner.com, <http://www.nod.ro>



Този продукт е проектиран и произведен в съответствие със стандартите и нормите на Европейската общност.

**Вносител: Network One Distribution**

ул. Марчел Янку № 3-5, Букурещ, Румъния

Тел: +40 21 211 18 56, www.heinner.com , www.nod.ro

MIKROHULLÁMÚ SÜTŐ

Modell:

HMW-MD23AFBK



- Mikrohullámú sütő
- Teljes kapacitás: 23L

HEINNER

1. BEVEZETŐ

Kérjük, figyelmesen olvassa el az utasításokat, és őrizze meg a kézikönyvet későbbi tanulmányozás céljából.

A kézikönyv célja a készülék beszerelésével, használatával és karbantartásával kapcsolatos minden szükséges tudnivalót rendelkezésére bocsátani. A készülék helyes és biztonságos használata érdekében, kérjük, hogy beszerelés és használat előtt olvassa el figyelmesen a használati kézikönyvet.

2. AZ ÖN CSOMAGJÁNAK TARTALMA

- ➔ Mikrohullámú sütő
- ➔ Használati kézikönyv
- ➔ Jótállási bizonylat

3. AZ ÖN CSOMAGJÁNAK TARTALMA

ÁLTALÁNOSSÁGOK

FIGYELMEZTETÉS: NE KAPCSOLJA BE A MIKROHULLÁMÚ SÜTŐT, HA BELSEJÉBEN NEM TALÁLHATÓ ÉTELT VAGY FOLYADÉKOT TARTALMAZÓ EDÉNY, EZ A SÜTŐ MEGHIBÁSODÁSÁHOZ VEZETHET.

FIGYELMEZTETÉS: Ha az ajtó/ajtótömítés megsérült, ne használja a készüléket, amíg azt szakképzett személy meg nem javítja.

FIGYELMEZTETÉS: Szakképzett szerelőkön kívül mindenki más számára veszélyes olyan karbantartási vagy javítási művelet végezni, amely a mikrohullámú energia kisugárzása elleni védelmet biztosító burkolat eltávolításával jár. **FIGYELMEZTETÉS:** Ne melegítsen folyadékokat vagy más élelmiszereket légmentesen lezárt edényekben, mert azok felrobbanhatnak. Ha szivárgás következik be a hőcserélő alkatrészeinek károsodása miatt, akkor a hűtőszekrényt távolítsa el a nyílt láng vagy hőforrások közeléből és szellőztesse néhány percig a helyiséget, ahol a készülék található.

1. A mikrohullámos sütőben csakis mikrózható, megfelelő edényeket használjon.
2. Ne használjon fém folyadék- vagy ételedényeket a mikrohullámú sütőben.
3. Az élelmiszerek műanyag vagy papír edényekben való melegítésekor fennáll a lángra lobbanás veszélye. Ennek érdekében a melegítési folyamatot állandó felügyelet mellett végezze.
4. A mikrohullámú sütő élelmiszerek és italok felmelegítésére szolgál. Étel vagy ruha szárítása, melegítőpárna, papucs, nedves szivacs, rongy vagy más hasonló tárgy melegítése sérülést, robbanást vagy tüzet okozhat.
5. Ha füstöt észlel, kapcsolja ki a készüléket, vagy húzza ki a csatlakozót az áramforrásból, és tartsa zárva az ajtót, hogy elnyomja a lángokat. Az italok mikrohullámú melegítése a hosszan tartó forralás miatt fröccsenéshez vezethet, ezért az edény kezelésénél különös óvatossággal kell eljárni.
6. Az égési sérülések elkerülése érdekében rázza fel a cuclisüvegeket vagy a bébiételeket vagy keverje össze azok tartalmát, a gyermekek etetése előtt pedig ellenőrizze az élelmiszerek hőmérsékletét.
7. Ne melegítsen a sütőben egész tojást héjában vagy főtt tojást, mivel ezek a melegítési művelet befejezése után is szétduzzanhatnak. -
8. Ha nem tartja tisztán a sütőt, sérülhetnek a felületei, működési időtartama csökkenhet, akár veszélyes helyzetek is létrejöhetnek.

9. A készüléket nem szabad szekrénybe szerelni.
10. Legyen óvatos, hogy ne mozdítsa el a forgótányért, amikor kiveszi az edényeket a készülékből.
11. A készüléket nem szabad gőztisztítóval tisztítani.
12. A készüléket nem szabad 900 mm-nél magasabban felszerelni a padlótól. A sütő felső felülete felett szükséges távolság: lásd a beépítési ábrát.

FIGYELMEZTETÉS: A kombinációs módon való sütéskor a gyermekek csak felnőtt felügyelete mellett használhatják a sütőt, mivel ilyenkor nagyon nagy hőmérsékletek keletkeznek a sütőben.

13. A veszélyek elkerülése érdekében, ha a tápkábel megsérült, azt a gyártónak, a szervizközpontnak vagy hasonlóan képzett személynek kell kicserélnie.
14. Ezt a készüléket 8 éven felüli gyermekek és szellemileg fogyatékos- sérült vagy tapasztalattal nem rendelkező emberek csak akkor használhatják, ha az értük felelős személy felügyeli őket, illetve előzetesen megértette velük a készülék biztonságos használatát.
15. A gyermekeknek tilos játszani a készülékkel.
16. A berendezés tisztítását és karbantartását gyerekek felnőttek felügyeletének hiányában nem végezhetik.
17. A készülék beszerelése után a csatlakozóaljzatnak könnyen hozzáférhetőnek kell maradnia.
18. Ezt a készüléket nem szabad ajtóval ellátott szekrénybe szerelni.
19. A termék belső LED-es fényforrásának fényáramlása < 60lm.
20. A használat során a készülék felforrósodik. Kerülje a sütő belsejében lévő melegítő elemek érintését.

FIGYELMEZTETÉS: Az elérhető alkatrészek használat során felforrósodhatnak. Tartsa távol a készüléktől a kisgyermeket.

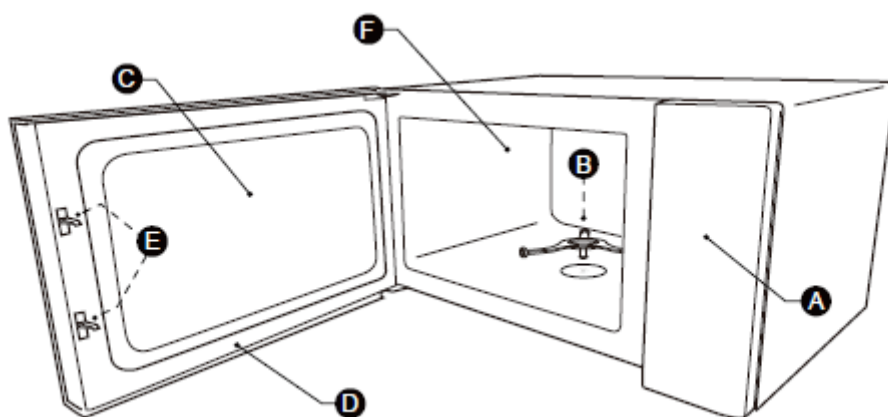
FIGYELMEZTETÉS: A készülék és hozzáférhető felületei ahasználat során felforrósodhatnak.

21. Kerülje a felforrósodott felületek megérintését.
22. Tartsa távol a készüléktől a 8 évnél kisebb gyermekeket, ha nincsenek állandó felügyelet alatt.
23. A sütő ablakának tisztításához ne használjon dörzshatású tisztítószeret vagy fémszivacsot, mert ezek megkarcolhatják az ablak felületét vagy eltörhetik azt.
24. A túlmelegedés elkerülése érdekében a készüléket egy díszajtó mögé szerelje fel. A készüléket 8 év fölötti gyerekek és korlátozott fizikai, érzékszervi vagy mentális képességekkel rendelkező, illetve a megfelelő tapasztalattal és jártassággal nem rendelkező személyek csak felügyelet mellett használhatják, vagy ha felkészítették őket a készülék biztonságos használatára, illetve ha tisztában vannak a helytelen használat veszélyeivel. A gyermekeknek tilos játszani a készülékkel. A polcok helyes felszerelésére vonatkozó adatok nélkül a tisztítást és karbantartást gyermekek nem végezhetik.

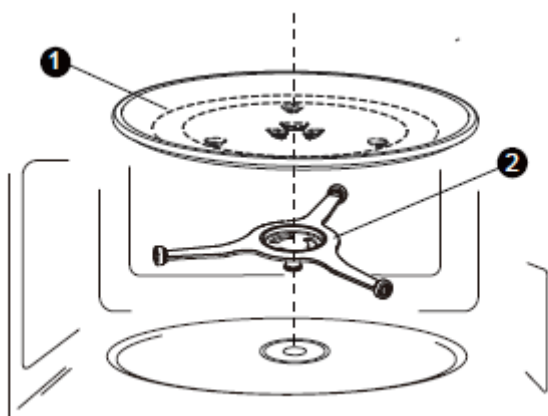
MEGJEGYZÉSEK:

- Kérjük, a termék használata előtt olvassa el figyelmesen a használati útmutatót. A készülék nem rendeltetésszerű használatából eredő sérülésekért nem vállalunk semmilyen felelősséget.
- Kövesse a gépen és a használati utasításban leírtakat, és tartsa biztonságos helyen a kézikönyvet a jövőben felmerülő problémák megoldásához.
- Ez a készülék otthoni használatra készült, és nem használható egyéb, mint a megadott célokra. Nem alkalmas kereskedelmi vagy közös használatra. Az ilyenszerű használat érvényteleníti a készülék garanciáját, és cégünk nem vállal felelősséget a bekövetkező veszteségekért.
- Ez a készülék otthoni használatra készült, és csak élelmiszer hűtésére / tárolására alkalmas. Nem alkalmas kereskedelmi vagy közös használatra és / vagy egyéb, mint élelmiszer tárolására. Cégünk nem vállal felelősséget az eltérő esetben bekövetkező veszteségekért.

4. A TERMÉK LEÍRÁSA



- A. Vezérlő panel
- B. Görgős gyűrű
- C. Betekintő ablak
- D. Ajtószelvény
- E. Biztonsági reteszelő rendszer
- F. Nyitott üreg



- 1. Forgó tengely
- 2. Forgó edény

a. Semmiféleképpen ne helyezze a forgó tányért lefelé felülről lefelé.

A forgó tányérnak egyenesen kell forognia.

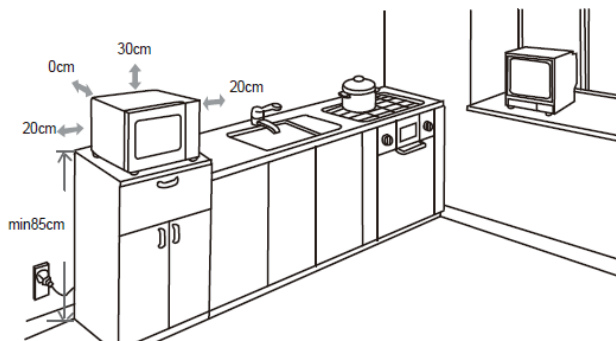
b. A forgótányért és a forgókarikát mindig használni kell az előkészítés során.

c. Gondoskodjon arról, hogy minden élelmiszer és ételtároló edény az előkészítéshez a forgótányérra kerüljön.

d. Ha a forgótányér vagy a forgógyűrű megreped vagy eltörik, forduljon a legközelebbi hivatalos szervizközponthoz.

5. BESZERELÉS

Válasszon egy sík felületet, amely elegendő szabad helyet biztosítson a be- és/vagy kivezetés számára szellőzőnyílások számára.



(1) A minimális beépítési magasság 85 cm.

(2) A készülék hátuljának fal mellett kell lennie.

A sütő fölött legalább 30 cm helyet kell hagyni. A sütő és a szomszédos falak között legalább 20 cm helyet kell hagyni.

(3) Ne távolítsa el a lábakat a sütő aljáról.

(4) A be- és/vagy kimeneti nyílások eltömítése a sütő károsodását eredményezheti.

(5) A sütőt a lehető legtávolabb helyezze el rádióktól és televíziókészülékektől.

A mikrohullámú sütő működése zavarhatja a rádió- vagy TV-vételt.

2. Csatlakoztassa a mikrohullámú sütőt egy szabványos háztartási konnektorba. Győződjön meg arról, hogy a készülék címtábláján feltüntetett feszültség és frekvencia megfelel a felhasználás helyén rendelkezésre álló feszültségnek és frekvenciának.

FIGYELMEZTETÉS: Ne helyezze a sütőt tűzhely vagy más hőtermelő készülék fölé. Ha a sütőt hőforrás közelébe vagy fölé telepíti, a sütő megsérülhet, ami a garancia érvénytelenségét vonja maga után.

6. A KEZELŐPANEL HASZNÁLATA

1. Az óra beállítása

(1) Nyomja meg egyszer a "Clock/Timer" (Óra/időzítő) gombot, majd megjelenik a "00:00". Az óraszámok villogni fognak.

(2) Nyomja meg a számbillentyűket az óraszámok beállításához.

(3) Nyomja meg egyszer a "Time Cook" (Főzési idő) gombot, majd nyomja meg a számbillentyűket a főzési idő beállításához,

(3) Nyomja meg a "Clock/Timer" gombot a megerősítéshez.

(4) Nyomja meg a számbillentyűket a percszámok beállításához.

(5) Nyomja meg a "Clock/Timer" gombot a megerősítéshez. Az óra be van állítva (a maximális érték 23:59).

Megjegyzések:

(1) Ha az óra nincs beállítva, akkor a készülék nem fog működni, amikor áramot kap.

(2) Az óra beállítása során, ha az "Óra/időzítő" gombot nem nyomja meg vagy 1 percen belül nem történik semmilyen művelet, a sütő visszatér a korábbi beállításra.

(3) Ha a beírt számok nem 23:59-en belül vannak, a beállítás nem fogadható el, amíg érvényes számokat nem adunk meg.

2. Mikrohullámos sütő használata

Nyomja meg egyszer a „POWER” gombot, és a kijelzőn megjelenik a „PL10” felirat. Az alapértelmezett teljesítmény 100%. Most a számgombokkal beállíthatja a teljesítményszintet.

Nyomja meg egyszer a „TIME COOK” gombot, és a kijelzőn „00:00” jelenik meg.

Nyomja meg a számgombokat a főzési idő megadásához; a maximális főzési idő 99 perc és 99 másodperc.

Nyomja meg a „START/+30SEC.” gombot a főzés megkezdéséhez.

Szint	10	9	8	7	6	5	4	3	2	1	0
Teljesítmény (%)	100	90	80	70	60	50	40	30	20	10	0
Megjelenítés	PL10	PL09	PL08	PL07	PL06	PL05	PL04	PL03	PL02	PL10	PL00

3. Konyhai időzítő

(1) Nyomja meg a „KITCHEN TIMER” gombot; a kijelzőn 00:00 jelenik meg, és az óra első számjegye villogni fog.

(2) Nyomja meg a számgombokat, és adja meg az időtartamot (a maximális időtartam 99 perc és 99 másodperc).

(3) Nyomja meg a „START/+30SEC.” gombot a beállítás megerősítéséhez.

4. Grill vagy Combi. Főzés

(1) Nyomja meg ismételten a „Grill/Combi” gombot. az üzemmód kiválasztásához, és a kijelzőn a „G” (grill), „C-1”, „C-2”, „C-3”, „C-4” sorrendben jelenik meg.

(2) Nyomja meg a számgombokat a főzési idő megadásához. A maximális időtartam értéke „99:99”.

(3) Nyomja meg a „Start/+30sec.” gombot a főzés megkezdéséhez.

Utasítások	Megjelenítés	Mikrohullám	Grill	Konvekció
1	G		•	
2	C-1	•		•
3	C-2	•	•	
4	C-3		•	•
5	C-4	•	•	•

5. Konvekciós főzés (előmelegítéssel és előmelegítés nélkül)

Nyomja meg egyszer a „Convec.” gombot, és a kijelzőn megjelenik a „Con” felirat.

Nyomja meg többször a „Convec.” gombot. a hőmérséklet beállításához. 10 beállítási lehetőség áll rendelkezésre. „110, 120, 130, 140, 150, 160, 170, 180, 190, 200” C

Nyomja meg a „Start/+30Sec.” gombot a hőmérséklet megerősítéséhez.

Nyomja meg újra a „Start/+30Sec.” gombot az előmelegítés megkezdéséhez.

Amikor az előmelegítés befejeződött, a készülék kétszer rövid hangjelzést ad. A hőmérséklet megjelenik és villog a képernyőn; nyissa ki az ajtót, majd zárja be (ha az előmelegítésre nincs szükség, kérjük, hagyja ki ezt a lépést).

Forgassa el a gombot a főzési idő beállításához. A maximális időtartam értéke „99:99”.

Nyomja meg a „Start/+30Sec.” gombot a főzés megkezdéséhez.

6. Kiolvasztás súly szerint

- (1) Nyomja meg a „TIME DEFROST” gombot, és a kijelzőn megjelenik a „dEF2”.
- (2) Nyomja meg a számbillentyűket az élelmiszer súlyának beállításához. A súlynak 100-2000g között kell lennie.
- (3) Nyomja meg a „START/+30SEC.” gombot a leolvasztás elindításához. A kijelzőn megjelenik a hátralévő főzési idő

7. Időtartamfüggő felolvasztás

- (1) Nyomja meg a „TIME DEFROST” gombot, és a kijelzőn megjelenik a „dEF2”.
- (2) Nyomja meg a számgombokat a leolvasztási idő megadásához. Az effektív időtartomány 00:01 és 99:99 között van.
- (3) Nyomja meg a „START/+30SEC.” gombot a leolvasztás elindításához. A kijelzőn megjelenik a hátralévő főzési idő.

8. Többfokozatú előkészítés

Megjegyzések: (1) Csak két főzési fokozat állítható be. Egy lépésen belül a készülék kétszer csipog, hogy emlékeztesse Önt az étel megfordítására, ha az idő fele letelt. A készülék az első szakasz végén hangjelzést ad.

- (2) Az első fokozat alatt a kiolvasztás funkció aktiválódik.
- (3) A „Konyhai időzítő”, az „Automatikus menü”, az „Előmelegítés” és a „Gyors előkészítés” funkciók nem állíthatók be a többfokozatú előkészítési lépések egyikeként.
- (4) A többfokozatú főzéshez a „Start/+30Sec” gomb megnyomásával növelhető az aktuális időtartam.
- (1) Nyomja meg egyszer a „Defrost” gombot, és a kijelzőn megjelenik a d-1.
- (2) Nyomja meg az „5,0,0” gombot a kiolvasztási súly 500 g-ra történő beállításához.
- (3) Nyomja meg többször a „Power” gombot, amíg a kijelzőn „PL09” nem jelenik meg.
- (4) Nyomja meg egyszer a „Time Cook” gombot, majd a számgombokkal állítsa be a főzési időt 07:00-ra.
- (5) Nyomja meg a „Start/+30sec.” gombot a főzés megkezdéséhez.

9. Gyors főzés

- (1) Készenléti üzemmódban nyomja meg a "Start/+30mp." gombot, hogy 30 másodpercig közvetlenül 100%-os teljesítményen dolgozzon. a főzési idő módosításához nyomja meg a számbillentyűket. Nyomja meg a "Start/+30mp." gombot a főzés megkezdéséhez.
- (2) Nyomja meg az "1-6" számbillentyűket az "1-6" percig történő közvetlen munkához 100%-os teljesítmény mellett.

10. Gyermekezár funkció

Ezzel a funkcióval megakadályozhatja, hogy a gyermekek véletlenül bekapcsolják a készüléket.

A gyermekezár funkció aktiválásához:

Amikor a készülék készenléti állapotban van, nyomja meg és tartsa lenyomva a „Stop/Cancel” gombot 3 másodpercig. A készülék egy hosszú hangjelzést ad, és a kijelzőn megjelenik a zár ikon.

A zárolási funkció kikapcsolása:

Amikor a készülék zárolt állapotban van, nyomja meg és tartsa lenyomva a „Stop/Cancel” gombot 3 másodpercig. A készülék hosszú hangjelzést ad ki.

11. Memória funkció

Ez a funkció lehetővé teszi, hogy az edény beállításait a készülék memóriájában tárolja, és később hozzáférjen.

- (1) Nyomja meg a „Memory” gombot az 1-3. memória eljárás kiválasztásához. A kijelzőn az „1”, „2” és „3” sorrendben jelenik meg.
- (2) Ha az eljárás be lett állítva, nyomja meg a „Start/+30sec.” gombot a művelet elindításához. Ellenkező esetben folytassa az eljárás beállítását.
- (3) Ha a beállítás befejeződött, nyomja meg egyszer a „Start/+30sec.” gombot az eljárás mentéséhez.

Például: 2. elmentett eljárás (az ételek elkészítése a mikrohullámú sütő teljesítményének 80%-ával 3 percre).

- (1) Amikor a készülék készenléti állapotban van, nyomja meg kétszer a „Memory” gombot.
- (3) Nyomja meg többször a „Power” gombot, amíg a kijelzőn „PL08” nem jelenik meg.
- (2) Nyomja meg a „Time Cook” gombot, majd nyomja meg sorban a „3”, „0”, „0” számegombokat.
- (4) Nyomja meg a „Start/+30sec” gombot a beállítás memorizálásához, és a kijelzőn megjelenik a „2”.

Megjegyzés: Ha a tápellátás nem szakad meg, az eljárás minden esetben memorizálódik.

Az előmelegítéssel és automatikus menüvel történő konvekciós főzés nem állítható be a memóriafunkcióban.

12. ECO funkció

Az ECO funkció aktiválása:

Ha a készülék készenléti állapotban van, nyomja meg a „Stop/Cancel” gombot. Továbbá, ha 10 percre nem nyomja meg a gombot, a kijelző kikapcsol.

Az ECO funkció kikapcsolása: Ha az ECO funkció aktív, nyomja meg bármelyik gombot, nyissa ki vagy zárja be a sütő ajtaját.

13. Információmegjelenítő funkció

Ha az óra be van állítva, a „Clock/Timer” gomb megnyomásával három másodpercig megjelenik az aktuális idő.

14. Automatikus menü

(1) Nyomja meg kétszer a "Potato" gombot, a kijelzőn megjelenik a "2".

(2) Nyomja meg a "Start/+30mp." gombot a főzés megkezdéséhez.

Például 2 burgonya főzése az alábbiak szerint:

Megjegyzés: Az automatikus menü főzési ideje nem állítható be.

(2) Nyomja meg a "Start/+30sec." gombot a főzés megkezdéséhez.

(1) Nyomja meg a megfelelő menü gombot a súlyának beállításához.

Megjegyzés: Az automatikus menü főzési ideje nem állítható be.

Menü	Súly	Megjelenítés
Burgonya	1 (230g)	1
	2 (460g)	2
	3 (690g)	3
Fagyasztott pizza	100 g	100 g
	200 g	200 g
	350 g	350 g
Zöldség	150 g	150 g
	350 g	350 g
	500 g	500 g
Leves	200 g	200 g
	400 g	400 g
	600 g	600 g
Hús	150 g	150 g
	300 g	300 g
	450 g	450 g
	600 g	600 g

15. Airfry menü

(1) Nyomja meg többször a „Air Fry” gombot a kívánt menü kiválasztásához. A képernyőn a H1-től H10-ig terjedő sorrendben jelenik meg a kijelző.

(2) Nyomja meg a "Start/+30sec." gombot a főzés megkezdéséhez.

Megjelenítés	Airfry menü	Tömeg/mennyiség
H1	Sült banán	2
H2	Grillezett spárga	250 g
H3	Germansytle BratWurts	450 g
H4	Húsos csirkemell	600 g
H5	Grillezett lazac	250 g
H6	Csokis sütik	240 g
H7	Mézes alma	4
H8	Banános kenyér	About 670 g
H9	Áfonyás	About 740 g
H10	Fokhagymás kenyér	About 740 g

AZ ELKÉSZÍTÉSRE VONATKOZÓ TANÁCSOK

Mikrohullámú sütőben használható anyagok

Tárgyak	Megjegyzések
Sütőedény	Kövesse a gyártó utasításait. A sütőedény aljának legalább 5 mm-rel a forgótányér fölött kell lennie. A helytelen használat a forgótányér törését okozhatja.
Étkészlet	Csak a mikrohullámú sütőben való használatra alkalmas. Kövesse a gyártó utasításait. Ne használjon repedt vagy törött edényeket.
Befőttesüveg	Mindig vegye le a fedelet. Csak kíméletesen melegítse az ételt. A legtöbb üvegedény nem hőálló, és eltörhet.
Üvegedények	Csak hőálló üvegedények, amelyek mikrohullámú sütőben is használhatók. Ügyeljen arra, hogy ne legyenek díszekkel ellátva. Ne használjon repedt vagy törött edényeket.
Sütőzsákok	Kövesse a gyártó utasításait. Ne zárjon fém rögzítőelemmel. A gőz távozását lehetővé tevő vágásokat készítsen.
Papírtányérok és poharak	Csak rövid távú főzéshez/fűtéshez használja. Ne hagyja felügyelet nélkül a sütőt főzés közben.
Papírtörlő	Újramelegítéshez és a zsiradék felszívásához az ételek lefedésére használható. Felügyelet mellett, csak rövid ideig tartó főzéshez használható.
Sütőpapír	Használja bevonatként a szétfröccsenés megakadályozására vagy gőzöléshez.
Műanyag tárgyak	Csak mikrohullámú sütőben való használatra alkalmasak. Kövesse a gyártó utasításait. „Mikrohullámú sütőben való használatra biztonságos” felirattal kell rendelkeznie. Egyes műanyag edények megpuhulnak, ahogy a bennük lévő étel felmelegszik. A „főzőtasakokat” és a lezárt műanyag zacskókat a csomagoláson feltüntetett módon kell felválni, átlukasztani vagy kinyitni.
Műanyag fólia	Csak a mikrohullámú sütőben való használatra alkalmas. Használja az ételek lefedésére főzés közben, hogy megőrizze a nedvességet. Ne hagyja, hogy a műanyag fólia az ételhez érjen.
Hőmérők	Csak mikrohullámú sütőben való használatra alkalmasak (hús- és cukrászati hőmérők).
Viaszpapír	Használja bevonatként a fröccsenés megakadályozására vagy a nedvesség megtartására.

Olyan anyagok, amelyek használatát mikrohullámú sütőben kerülni kell.

Konyhaeszközök	Megjegyzések
Alumínium tálca	Elektromos ívképződést okozhat. Helyezze át az ételt mikrohullámú sütőben való használatra alkalmas edénybe.
Élelmiszerdoboz fém fogantyúval	Elektromos ívképződést okozhat. Helyezze át az ételt mikrohullámú sütőben való használatra alkalmas edénybe
Fémből készült vagy fémdíszítésű eszközök	A fém megvédi az ételt a mikrohullámú sütő által termelt energiától. A fémdíszek elektromos íveket okozhatnak.
Fém kötőelemek	Elektromos íveket okozhat és tüzet okozhat a sütőben.
Papírzacskók	Tüzet okozhat a sütőben.
Műanyag hab	A műanyag hab megolvadhat vagy szennyezheti a benne lévő folyadékot, ha magas hőmérsékletnek van kitéve.
Fa	A fa kiszárad, ha mikrohullámú sütőben használják, és meghasadhat vagy megrepedhet.

AZ ELKÉSZÍTÉSRE VONATKOZÓ TANÁCSOK

Az alábbi tényezők befolyásolhatják a készítés eredményét.

Az ételek elrendezése

Az ételek vastagabb felét helyezze a forgótányér széle fele, a vékonyabb részüket pedig a közepére. Ha lehetőség van rá, ne helyezze egymásra az ételeket.

A elkészítés időtartama

A folyamatot egy rövidebb készítési időtartammal kezdje, figyelje meg az eredményt, majd szükség esetén növelje az időtartamot. A túl hosszú főzési időtartam füstölést vagy odaégést eredményezhet.

Az ételek egyenletes elkészítése

Az olyan élelmiszereket, mint a baromfi, hamburger vagy sülték, készítés közben meg kell forgatni. Az étel típusától függően, szükség esetén, az edényben egyszer vagy kétszer kavarja meg a szélétől a közepe felé.

Hagyja az ételeket „összeérni”

Az főzés befejezése után, hagyja az ételeket megfelelő ideig a sütőben, hogy az ízek „összeérjenek”, és hogy fokozatosan hűljön ki.

Az ételek ellenőrzése

Ellenőrizze az ételek színét és állagát, hogy meggyőződjön arról, hogy megfelelő módon elkészültek:

- Ellenőrizze, hogy a készítménynek nem csak a széle, hanem az egész felülete gőzöl
- Ellenőrizze, hogy a baromfi ízületei könnyen mozgathatók
- Győződjön meg arról, hogy a disznó- és a baromfi hús jól elkészült
- Győződjön meg arról, hogy a hal nem áttetsző és villával könnyen darabolható

Csak sütéshez való tál használata

Sütéshez való tál vagy önmelegedő edény használata esetén, a forgó tányér és a görgős gyűrű megrongálódásának elkerülése végett helyezzen ezek alá mindig egy hőálló szigetelőt, pl. egy porcelán tányért.

Műanyag fólia használata

Ha magas zsírtartalmú ételt készít, ne hagyja a fóliát az étellel érintkezni, mert megolvadhat.

Megfelelő műanyag edények használata

Előfordulhat, hogy egyes mikrohullámmal főzésre alkalmas műanyag tálak nem felelnek meg nagy zsír- vagy cukor tartalmú ételek készítésére. Ugyanakkor ne haladja meg az edények használati kézikönyvében feltüntetett előmelegítési időtartamot.

7. TISZTÍTÁS ÉS KARBANTARTÁS

TISZTÍTÁS

Feltétlenül válassza le a készüléket az áramforrásról.

1. Használat után enyhén nedves ruhával tisztítsa meg a sütő belsejét.
2. Rendszeresen tisztítsa meg a tartozékokat mosószeres vízben.
3. Az ajtókeretet és az ajtókárpitot, valamint a környező alkatrészeket óvatosan, nedves ruhával kell megtisztítani, ha szennyeződnek.
4. A sütő ajtajának üvegét ne tisztítsa súrolószerekkel vagy fémszivaccsal, mert megkarcolódhat vagy eltörhet.
5. Tisztítási javaslat --- A belső falak könnyebb tisztításához, ahol a főtt ételek hozzáérhetnek: Tegyen egy fél citromot egy tálba, adjon hozzá 300 ml vizet, és 10 percig teljes teljesítményen (100%) mikrohullámú sütőben melegítse. Törölje át a sütőt puha, száraz ruhával.

Eszközök tesztelése:

1. Töltsön meg egy mikrohullámú sütő használatára alkalmas edényt 1 csésze hideg vízzel (250 ml) és a vizsgálni kívánt eszközzel együtt.
2. Futtassa a készüléket teljes teljesítményen 1 percig.
3. Óvatosan érintse meg az edényt. Ha az edény forró, ne használja mikrohullámú sütéshez.
4. Ne lépje túl az 1 percet.

JAVÍTÁSSAL KAPCSOLATOS ÓVINTÉZKEDÉSEK

Figyelem: MIKROHULLÁM KISUGÁRZÁS

1. A magas feszültségű kondenzátorban villamos áram található a tápforrásról való lecsatlakoztatás után is. Zárja rövidre a magasfeszültségű kondenzátor negatív pólusát a sütő vázával (használgjon egy csavarhúzó), hogy áramtalanítsa, mielőtt hozzáér.
2. A javítás elvégzése alatt az alábbi alkotóelemek cserélhetők ki, amelyek elektromos feszültsége 250 V feletti.
 - Magnetron
 - Magas feszültségű transzformátor
 - Magas feszültségű kondenzátor
 - Magas feszültségű dióda
 - Magas feszültségű biztosíték
3. A fent leírt körülmények a mikrohullámú energia-kisugárzás túlzott hatásának való kitételhez vezethetnek:
 - A magnetron nem megfelelő beszerelése.
 - Az ajtó elzáró rendszerének, az ajtópántnak vagy az ajtónak a helytelen felszerelése.

- A kapcsoló helytelen felszerelése.
- Az ajtó, az ajtótömítés vagy a burkolat megsérültek.

8. HIBAELHÁRÍTÁS

Normál	
A mikrohullámú sütő zavarja a TV vételt	A mikrohullámú sütő működése zavarhatja a rádió- vagy TV-vételt. Ez hasonló az olyan kis elektromos készülékek, mint a turmixgépek, porszívók és elektromos ventilátorok által okozott interferenciához. Ez normális.
A sütő fénye halványan világít	Alacsony teljesítményű mikrohullámú sütés esetén a sütő fénye halványan világíthat. Ez normális.
Gőz képződik az ajtónál, a forró levegő a szellőzőn keresztül távozik.	A főzés során gőz távozhat az ételből. A gőz nagy része a szellőzőnyílásokon keresztül távozik. A gőz egy része azonban a sütő ajtajánál összegyűlhet. Ez normális.
A sütő véletlenül úgy indult be, hogy nem volt benne étel.	A készüléket nem szabad úgy használni, hogy nincs benne étel. Ez nagyon veszélyes.

Probléma	Lehetséges ok	Megoldások
A sütő nem kapcsolható be.	(1) A tápkábel nincs megfelelően csatlakoztatva.	Húzza ki a csatlakozót a konnektorból. Várjon 10 másodpercet, majd dugja vissza.
	(2) A biztosíték kialudt vagy az áramkör-megszakító aktiválódott.	Cserélje ki a biztosítékot vagy állítsa vissza a megszakítót (szakképzett személyzet által javítva).
	(3) Problémák a csatlakozóaljzattal.	Tesztelje az aljzatot más elektromos készülékekkel.
A sütő nem melegít	(4) Az ajtó nincs megfelelően bezárva.	Zárja be megfelelően az ajtót.

SZERVIZ ÉS ÜGYFÉLSZOLGÁLAT

Kizárólag eredeti cserealkatrészeket használjon.

Mielőtt felvenné a kapcsolatot az engedélyezett szakszervizünkkel, győződjön meg róla, hogy a következő adatok a rendelkezésére állnak: Modell megnevezése és sorozatszám.

Ezeket az adatokat a készülék műszaki adattábláján találja. Ezek az adatok előzetes értesítés nélkül is megváltoztathatók.

MŰSZAKI ADATOK

Modell	HMW-MD23AFBK
Névleges feszültség	230V~ 50 Hz
Mikrohullámú bemenet	1450 W
Mikrohullámú kimenet	900 W
Grill	1000 W
Konvekció	1680 W

**A hulladékok környezetfelelős eltávolítása**

Segíthet a környezet védelmében!

Kérjük, tartsa be a helyi rendelkezéseket: a nem működő elektromos berendezéseket a használt elektromos hulladékokat gyűjtő központba szolgáltatassa be.



A HEINNER a **Network One Distribution SRL(KFT)** társaság által bejegyzett védjegy. A többi márkajelzés és a termékek megnevezése kereskedelmi vagy az illető birtoklók által bejegyzett márkanevek.

A leírtak egyetlen része sem használható fel semmilyen formában, még lefordított, átalakított változatban sem, a NETWORK ONE DISTRIBUTION előzetes beleegyezése nélkül.

Copyright © 2013 Network One Distribution. Minden jog fenntartva.

www.heinner.com, <http://www.nod.ro>



A terméket az Európai Közösség előírásainak és jogszabályainak megfelelően tervezték és gyártották.



Importőr: **Network One Distribution**

Marcel Iancu utca, 3-5 szám, Bukarest (București), Románia

Tel: +40 21 211 18 56, www.heinner.com , www.nod.ro