

Operating and installation instructions

Refrigerators



To avoid the risk of accidents or damage to the appliance it is **essential** to read these instructions before it is installed and used for the first time.

Contents

Warning and Safety instructions	5
Caring for the environment	13
How to save energy	14
Guide to the appliance	16
Symbols on the display	17
Controls	17
Accessories	18
Accessories supplied	18
Optional accessories	19
Before using for the first time	20
Before using for the first time	20
Cleaning the appliance	20
Connecting the appliance	20
Switching on and off	21
Touch display	21
Switching the appliance on	21
Start screen	21
Switching off the refrigeration appliance	22
Switching off for longer periods of time	22
The correct temperature	23
... in the refrigerator section	23
Temperature display	23
Setting the temperature	24
Using Super cool	25
Super cool function ❄	25
Switching SuperCool on and off	25
Displaying a selected function	25
Door alarm	26
Door alarm	26
Selecting further settings	27
Settings overview	27

Explanation of the different Settings	29
Switching Holiday mode ☀ on/off	29
Using the minute minder ⌚ (QuickCool timer)	30
Activating or deactivating the lock 🔒/🔓	31
Switching the refrigeration appliance off ⏻	31
Switching Sabbath mode 🕍 on/off	32
Setting the time before the door alarm 🔔 is triggered	33
Switching the sensor tone 🔔 on / off 🔕	33
Setting the volume/Switching alarms and audible tones 🔔 on/off	33
Setting the display brightness ☀	34
Setting the temperature unit °C/°F	34
Switching Demo mode 📺 off.....	34
Resetting to the factory default settings 🏠	34
Accessing information ⓘ	34
Replace charcoal filter 🌐 reminder.....	35
Clean ventilation grille 🌐 reminder	35
Storing food in the refrigerator section.....	36
Different storage zones	36
Food which is not suitable for storage in the refrigerator section	37
Notes on buying food.....	38
Storing food correctly.....	38
Protein-rich food.....	38
Storing food in the DailyFresh drawer.....	39
Adjusting the interior fittings (refrigerator section)	41
Adjusting the door/bottle shelf	41
Moving the adjustable shelf/adjustable shelf with lighting.....	41
Adjusting the bottle rack	41
Removing the DailyFresh drawer and rollers.....	42
Moving the charcoal filters	42
Moving and fitting the bottle holder	43
Defrosting.....	44
Cleaning and care	45
Cleaning agents.....	45
Preparing the appliance for cleaning.....	46
Cleaning the interior and accessories	48
Cleaning the front of the appliance and the side panels.....	49
Cleaning the ventilation grille	50
Cleaning the door seal	50
Replacing the charcoal filters.....	51

Contents

After cleaning	52
Problem solving guide	53
Noises	61
Service	62
Contact in case of malfunction	62
– Displaying licence agreements	62
Warranty	62
Installation	63
Electrical connection	63
Installation	65
Side-by-side installation	65
Location	65
Ventilation	66
Fitting supplied wall spacers	67
Limiting the opening angle of the appliance door	67
Installation	70
Installing the appliance in a run of kitchen units	71
Appliance dimensions	72
Changing the door hinging	73
Aligning the appliance door	83

Warning and Safety instructions

This refrigeration appliance complies with current safety requirements. Inappropriate use can, however, lead to personal injury and material damage.

Please read the operating and installation instructions carefully before using the refrigeration appliance for the first time. They contain important information on safety, installation, use and maintenance. This is to protect yourself from injury, and from damaging your refrigeration appliance.

In accordance with standard IEC 60335-1, Miele expressly and strongly advises that you read and follow the instructions in the chapter on installing the appliance as well as the safety instructions and warnings.

Miele cannot be held liable for injury or damage caused by non-compliance with these instructions.

Keep these instructions in a safe place and pass them on to any future owner.

Correct application

- ▶ This refrigeration appliance is intended for use in the home and in similar environments, for example
 - in shops, offices and similar work settings
 - by the guests in hotels, motels, bed & breakfasts and other typical home settings.

This refrigeration appliance is not intended for outdoor use.

- ▶ This appliance is intended for domestic use only for cooling and storing food and drink. It must not be used for any other purpose.

Warning and Safety instructions

▶ This appliance is not suitable for storing and keeping cool medicines, blood plasma, laboratory preparations or other such materials or products. Incorrect use of the appliance for such purposes can cause deterioration of the items stored. The appliance is not suitable for use in areas where there is a risk of explosion. Miele cannot be held liable for damage resulting from improper or incorrect use of the appliance.

▶ The appliance can only be used by people with reduced physical, sensory or mental capabilities, or lack of experience and knowledge, if they are supervised whilst using it, or have been shown how to use it in a safe way and recognise and understand the consequences of incorrect operation.

Safety with children

▶ Children under 8 years of age must be kept away from the appliance unless they are constantly supervised.

▶ Children 8 years and older may only use the appliance unsupervised if they have been shown how to use it in a safe way and recognise and understand the consequences of incorrect operation.

▶ Children must not be allowed to clean or maintain the appliance unsupervised.

▶ Please supervise children in the vicinity of the appliance and do not let them play with it.

▶ Danger of suffocation! Whilst playing, children could become entangled in packaging (such as plastic wrapping) or pull it over their head and suffocate. Keep packaging material away from children.

Technical safety

► The coolant system is tested for leaks. This appliance complies with statutory safety requirements and the appropriate EU guidelines.



► This appliance contains the coolant Isobutane (R600a), a natural gas which is environmentally friendly. Although it is flammable, it does not damage the ozone layer and does not increase the greenhouse effect.

The use of this coolant has, however, led to a slight increase in the noise level of the appliance. In addition to the noise of the compressor, you might be able to hear the coolant flowing around the system. This is unavoidable, and does not have any adverse effect on the performance of the appliance.

Care must be taken during the transportation and setting up of the appliance that no parts of the cooling system are damaged. Leaking coolant can damage the eyes.

In the event of any damage:

- avoid naked flames or anything which creates a spark,
- disconnect the appliance from the mains electricity supply,
- ventilate the room where the appliance is located for several minutes, and
- contact the Miele Service Department.

Warning and Safety instructions

- ▶ The more coolant there is in a refrigeration appliance, the larger the room it should be installed in. In the event of a leakage, if the appliance is in a small room, there is the danger of combustible gases building up. For every 11 g of coolant at least 1 m³ of room space is required. The amount of coolant in the appliance is stated on the data plate inside the appliance.
- ▶ To avoid the risk of damage to the appliance, make sure that the connection data (fuse rating, frequency and voltage) on the data plate corresponds to the household supply. Check that this is the case before connecting the appliance. Consult a qualified electrician if in any doubt.
- ▶ The electrical safety of this appliance can only be guaranteed when correctly earthed. It is essential that this standard safety requirement is met. If in any doubt please have the electrical installation tested by a qualified electrician.
- ▶ Reliable and safe operation of this appliance can only be assured if it has been connected to the mains electricity supply.
- ▶ If the connection cable supplied is damaged it must only be replaced by an original spare part to protect the user from danger. Miele can only guarantee the safety of the appliance if original spare parts are used.
- ▶ Do not connect the appliance to the mains electrical supply by a multi-socket adapter or extension lead. These are a fire hazard and do not guarantee the required safety of the appliance.
- ▶ If moisture gets into electrical components or into the mains connection cable, it could cause a short circuit. Therefore, do not operate this refrigeration appliance in areas which are exposed to moisture (e.g in a garage or utility room).
- ▶ This appliance must not be used in a non-stationary location (e.g. on a ship).

Warning and Safety instructions

- ▶ Do not use a damaged appliance. It could be dangerous. Check the appliance for visible signs of damage.
- ▶ The appliance must be isolated from the electricity supply during installation, maintenance and repair work.
- ▶ Unauthorised installation, maintenance and repairs can cause considerable danger for the user. Installation, maintenance and repairs must only be carried out by a Miele authorised technician.
- ▶ While the appliance is under warranty, repairs should only be undertaken by a Miele authorised service technician. Otherwise the warranty is invalidated.
- ▶ Miele can only guarantee the safety of the appliance when genuine original Miele replacement parts are used. Faulty components must only be replaced by Miele spare parts.

Correct use

- ▶ The appliance is designed for use within a certain climate range (ambient temperatures), and should not be used outside this range. The climate range for your appliance is stated on the data plate inside the appliance. Installing it in a room with too low an ambient temperature, e.g. a garage, will lead to the appliance switching off for longer periods so that it cannot maintain the required temperature.
- ▶ Do not cover or block the air vents as this could impair the efficiency of the appliance, increase the electricity consumption and could cause damage to the components.
- ▶ If storing food which contains a lot of fat or oil in the appliance or the door, make sure that it does not come into contact with plastic components as this could cause stress cracks or break the plastic.
- ▶ Do not store explosive materials in the appliance or any products containing propellants (e.g. spray cans). Electrical components could cause flammable vapours to ignite. Danger of fire and explosion.

Warning and Safety instructions

- ▶ Do not operate any electrical equipment (e.g. an electric ice cream maker) inside the appliance. Danger of sparking and explosion.
- ▶ Observe the manufacturer's "use-by" dates and storage instructions given on food to avoid the risk of food poisoning. Storage times will depend on several factors, including the freshness and quality of the food, as well as the temperature at which it is stored.
- ▶ Only use genuine original Miele accessories and spare parts with this appliance. Using accessories or spare parts from other manufacturers will invalidate the warranty, and Miele cannot accept liability.

Stainless steel appliances

- ▶ Adhesives will damage the stainless steel surface and cause it to lose its dirt-repellent protective coating. Do not use sticky notes, transparent adhesive tape, masking tape or other types of adhesive on the stainless steel surface.
- ▶ The surface is susceptible to scratching. Even magnets can cause scratching.

Cleaning and care

- ▶ Do not use any oils or grease on the door seals, as these will cause the seals to deteriorate and become porous with time.
- ▶ Do not use a steam cleaning appliance to clean or defrost this appliance.
Steam could reach electrical components and cause a short circuit.
- ▶ Sharp edged or pointed objects will damage the evaporator, causing irreversible damage to the appliance. Do not use sharp edged or pointed objects to
 - remove frost and ice,
 - separate frozen foods or remove ice trays.
- ▶ Do not place electric heaters or candles in the appliance to defrost it. These can damage the plastic parts.
- ▶ Do not use defrosting sprays or de-icers, as they could contain substances which could damage the plastic parts or which might cause the build-up of gases and pose a danger to health.

Transport

- ▶ Always transport the appliance in an upright position and in its original transport packaging to avoid damage in transit.
- ▶ Danger of injury and damage. The appliance is very heavy and must be transported by two people.

Warning and Safety instructions

Disposal of your old appliance

- ▶ If your old refrigeration appliance has a door lock, destroy it. This will prevent the risk of children playing accidentally locking themselves in and endangering their lives.
- ▶ Splashes of coolant can damage the eyes. Be careful not to damage any part of the pipework whilst awaiting disposal, e.g. by
 - puncturing the coolant channels in the condenser,
 - bending any pipework, or
 - scratching the surface coating.

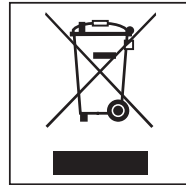
Disposal of the packing material

The packaging is designed to protect the appliance from damage during transportation. The packaging materials used are selected from materials which are environmentally friendly for disposal and should be recycled.

Recycling the packaging reduces the use of raw materials in the manufacturing process and also reduces the amount of waste in landfill sites.

Disposal of your old appliance

Electrical and electronic appliances often contain valuable materials. They also contain specific materials, compounds and components, which were essential for their correct function and safety. These could be hazardous to human health and to the environment if disposed of with your domestic waste or if handled incorrectly. Please do not, therefore, dispose of your old appliance with your household waste.



Please dispose of it at your local community waste collection / recycling centre for electrical and electronic appliances, or contact your dealer or Miele for advice. You are also responsible (by law, depending on country) for deleting any personal data that may be stored on the appliance being disposed of.

Take care not to damage the pipework at the back of it before or during transportation to an authorised collection depot.

In this way, refrigerant in the pipework and oil in the compressor will be contained, and will not leak into the environment.

Please ensure that your old appliance presents no danger to children while being stored awaiting disposal. See “Warning and Safety instructions” for more information.

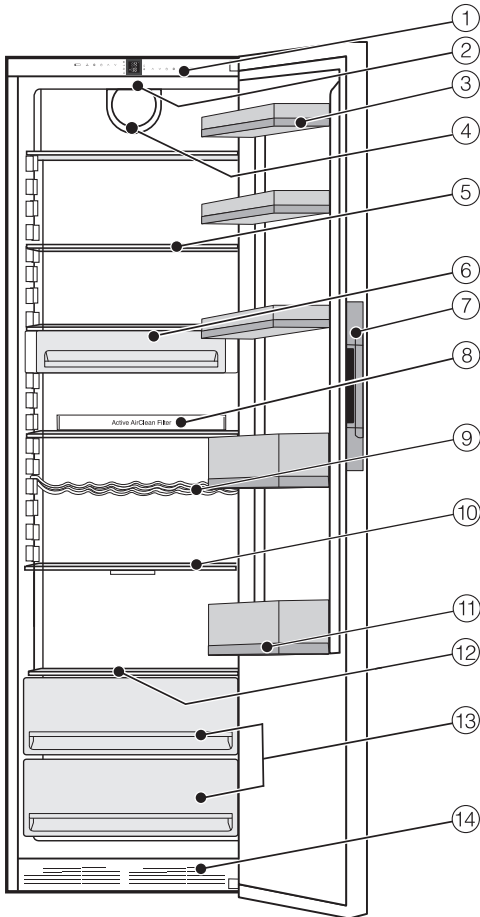
How to save energy

	Normal energy consumption	Increased energy consumption
Installation / Maintenance	In a ventilated room.	In an enclosed, unventilated room.
	Protected from direct sunlight.	In direct sunlight.
	Not near to a heat source (radiator, oven).	Near to a heat source (radiator, oven).
	Where the ideal ambient room temperature is approx. 20 °C.	Where the ambient room temperature is above 25 °C.
	Ventilation gaps uncovered and dusted regularly.	Ventilation gaps covered or dusty.
Temperature setting	Refrigerator section 4 to 5 °C	The lower the temperature, the higher the energy consumption.

How to save energy

	Normal energy consumption	Increased energy consumption
Use	Drawers and shelves arranged as they were when the appliance was delivered.	
	Only open the door when necessary and for as short a time as possible. Store food in an organised way.	Frequent opening of doors for long periods will cause a loss of coldness. The appliance will try to cool down and the compressor will run for longer periods.
	Take an insulated cool bag when shopping, and load food in the appliance as soon as possible. Replace any food removed as quickly as possible, before it warms up too much. Allow hot food and drinks to cool down before placing them in the appliance.	Hot food or food at room temperature raises the temperature inside the appliance. The appliance will try to cool down and the compressor will run for longer periods.
	Store food well packaged or covered.	The evaporation or condensation of liquids in the refrigerator section will cause a loss of coldness.
	Place frozen food in the refrigerator to defrost.	
	Do not over-fill the appliance to allow air to circulate.	Poor air circulation will cause a loss of coldness.

Guide to the appliance



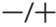





- ① Control panel with display
- ② Interior lighting
- ③ Door shelf / Egg tray
- ④ Fan
- ⑤ Adjustable shelf
- ⑥ Storage drawer (CompactCase)
- ⑧ Recessed handle with door opening aid (Click2open)
- ⑨ Holder with active charcoal filters (Active AirClean)
- ⑩ Bottle rack
- ⑪ Adjustable shelf with lighting (FlexiLight)
- ⑫ Bottle shelf with bottle holder
- ⑬ Regulator for setting the humidity level in the DailyFresh drawer
- ⑭ DailyFresh drawer (on rollers)
- ⑮ Ventilation grille




For easier installation there are transport handles on the back at the top and transport wheels underneath the appliance.

Symbols on the display

Controls

Symbol		Function
	Standby	For switching the appliance on
	Settings mode	For selecting settings (see “Selecting further settings”)
	Minus/Plus	For altering a setting (e.g. temperature)
		For confirming a setting
	Navigation arrow Left / right	For scrolling in Settings mode to select a setting
	Back	For exiting a menu

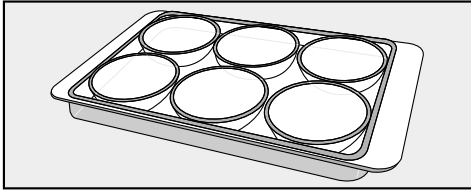
Information

Symbol		Meaning
	Standby	The appliance is connected to the power supply but is not switched on.
	SuperCool	Function can be selected (see “Using Super cool”).
	Door alarm	Warning (see “Problem solving guide - Display warnings”).

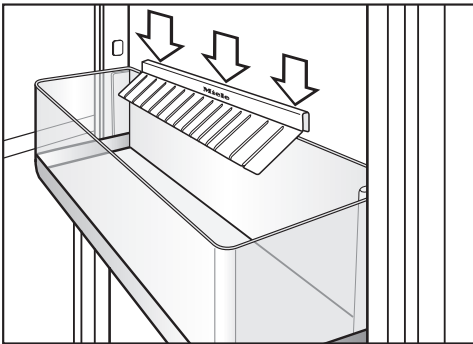
Accessories

Accessories supplied

Egg tray

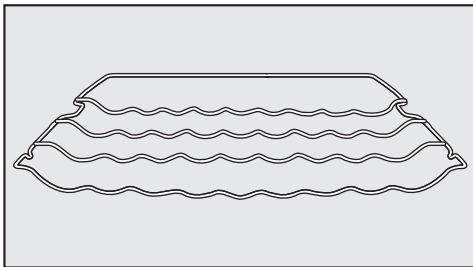


Bottle holder



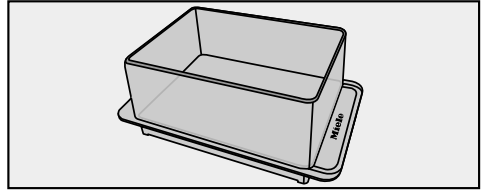
The flexible ribs grip the bottles securely when the door is opened and closed.

Bottle rack

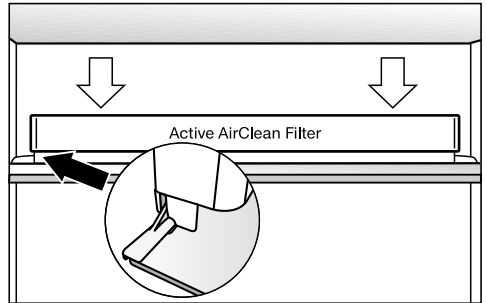


Bottles can be stored horizontally using the bottle rack to save space. The bottle rack can be placed at different positions in the appliance.

Butter dish

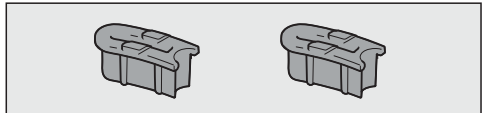


KKF-FF Active AirClean charcoal filters with holder



The charcoal filters neutralise unpleasant odours in the refrigerator section for improved air quality.

Door opening angle limiter



The door hinges are set ex works to enable the door to be opened up to 115°. If the appliance door hits an adjacent wall when opened, for example, the opening angle can be limited to approx. 90°.

Optional accessories

A range of useful Miele accessories and care products are available for your appliance.

Accessories are available to order via the Miele Webshop, from Miele directly (see back cover for contact details) or from your Miele dealer.

Bottle rack

The appliance is supplied with a bottle rack for the refrigerator section. Additional bottle racks can be fitted if required.

KKF-FF Active AirClean charcoal filters with holder

The appliance is supplied with a charcoal filter holder. Additional holders can be fitted in the refrigerator section, if required.

KKF-RF

Active AirClean replacement filters

Replacement filters to fit the Active AirClean holder are available. We recommend replacing the charcoal filters every 6 months.

Multi-purpose microfibre cloth

The microfibre cloth is suitable for removing fingerprints and light soiling from surfaces such as stainless steel, glass, plastic and chrome without the use of chemicals.

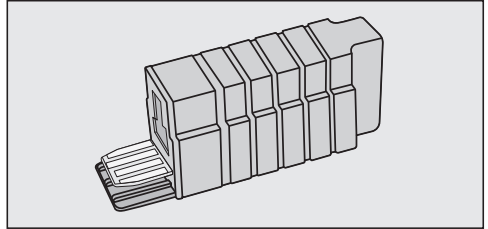
MicroCloth Kit

The MicroCloth Kit contains a universal cloth, a glass cloth and a polishing cloth.

These cloths are extremely rip-proof

and hard-wearing. Thanks to very fine microfibres these cloths achieve excellent cleaning results.

XKS 3100 W WiFi stick (Miele@home)



The WiFi stick enables your refrigeration appliance to communicate, so that you can access appliance data at any time with a smartphone or tablet (iOS® or Android™ operating systems).

To use the Miele@mobile app or Miele@home features, such as the option to switch on SuperCool/SuperFreeze, you must insert the WiFi stick into your Miele refrigeration appliance and connect it to your WiFi network.

Fitting and installation instructions for the stick are supplied with it and describe how to install the WiFi stick and connect to a WiFi network.

Before using for the first time

Before using for the first time

Packaging material

- Remove all packaging material from the inside of the appliance.

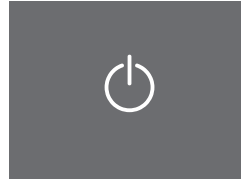
Cleaning the appliance

Please refer to the relevant instructions in “Cleaning and care”.

- Clean the inside of the appliance and the accessories.

Connecting the appliance

- Connect the appliance to the electricity supply as described in “Electrical connection”.



Standby

⏻ will appear in the display.

Touch display

Using pointed or sharp objects on the touch display can damage it. Only touch the display with your fingers.

If your fingers are cold, the touch display may not react.


Switching the appliance on

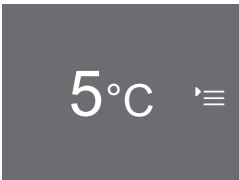


Standby

■ Touch  briefly.

The welcome message Miele - Willkommen will appear in the display for approx. 3 seconds.

If this does not happen and  appears in the display, the safety lock is still activated (see “Selecting further settings” - “Activating or deactivating the safety lock” - “Deactivating the safety lock temporarily”).

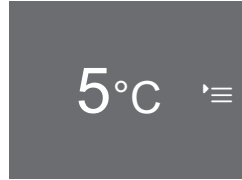


Start screen

The display changes to the start screen.

The interior light comes on. The appliance is now switched on and will start to cool. It will gradually reach the pre-set temperature of 5 °C.


Start screen





The start screen is the screen from which all settings can be selected.

The display is divided into two fields for this purpose:

The temperature display is on the left-hand side.

Here you can set or change the temperature as well as select the Super cool  function (see “Using Super cool”).

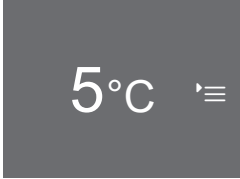
Settings mode  is on the right-hand side.

Touch the  symbol to access Settings mode. Here further settings can be selected (see “Selecting further settings”).

Switching on and off

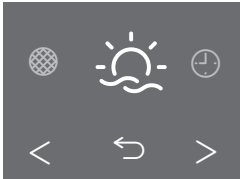
Switching off the refrigeration appliance

You can switch the appliance off in Settings mode (see “Selecting further settings”).




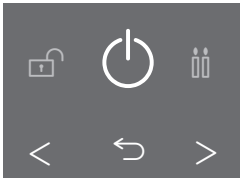
Start screen

- Touch '≡'.




Settings mode

- Use the < or > arrow buttons until  is displayed.




Switching off the refrigeration appliance

- Touch .

The temperature display goes out and  lights up.

The refrigerator section interior lighting will go out and the cooling process will be switched off.

 will go out after approx. 10 minutes. The display goes dark and switches to energy-saving mode.

Switching off for longer periods of time

If, during a long absence, the refrigeration appliance is switched off but not cleaned and the door(s) left shut, there is a risk of mould forming inside the appliance.

It is essential to clean the refrigeration appliance.

If the refrigeration appliance is not going to be used for a longer period of time, observe the following:

- Switch the refrigeration appliance off.
- Switch off at the wall and remove the plug from the socket, or disconnect the mains fuse.
- Clean the refrigeration appliance and leave the door ajar to air the appliance and avoid odours building up inside.

The correct temperature

It is very important to set the correct temperature for storing food in the appliance. Bacteria will cause food which is not stored at the correct temperature to deteriorate rapidly. Temperature influences the growth rate of these bacteria. Reducing the temperature reduces their growth rate.

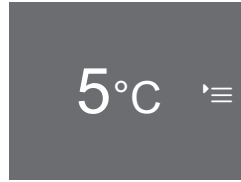
The temperature in the appliance will rise:

- the more often the door is opened and the longer it is kept open,
- the more food that is stored in it,
- the warmer the food is which is being put into it,
- the higher the ambient temperature surrounding the appliance. This refrigeration appliance is designed for use within specific ambient temperatures (climate range). Do not use in ambient temperatures for which it is not designed.

... in the refrigerator section

We recommend a temperature of **4 °C** in the refrigerator section.

Temperature display



Start screen

In normal operation, the temperature display shows the **current average refrigerator section temperature**.

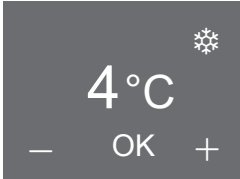
Depending on the ambient temperature and the temperature setting, it can take the appliance a few hours to reach the temperature required and for this temperature to then be shown as a constant temperature in the display.

The correct temperature

Setting the temperature

- Touch the temperature display.

The previously set temperature will appear.



Refrigerator section display

- Use the — and + arrows to set the temperature higher or lower.
- Touch OK immediately after setting the temperature to confirm your entry.
- Or wait approximately 8 seconds after the last touch of a sensor. The temperature will then be automatically adopted.

Tip: The newly set temperature can also be confirmed and adopted by closing the appliance door.

The temperature display will then change to the current temperature in the appliance.

Tip: If you have adjusted the temperature, **wait for approx. 6 hours if the appliance is not very full and for approx. 24 hours if the appliance is full** before checking the temperature display, as it will take this long for the appliance to give an accurate reading.

- If, after this time, the temperature is still too high or too low, you will need to adjust it again.

You can switch the Super cool ❄️ function on.

Super cool function ❄️

The Super cool function can be used to rapidly reduce the temperature in the refrigerator section to its lowest setting (depending on the room temperature).

Tip: Super cool is particularly recommended for the rapid chilling of large amounts of fresh food or drink.

When Super cool is switched on, the appliance will work at full power to lower the temperature in the appliance.

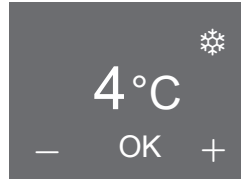
It switches itself off automatically after approx. 12 hours.

Tip: To save energy, you can switch the Super cool function off yourself once food and drinks are sufficiently chilled.

After switching Super cool off the appliance reverts to working at normal power.

Switching SuperCool on and off

- Touch the temperature display.



SuperCool display

The current temperature and ❄️ appear in the display.

- Touch ❄️.
 - If ❄️ lights up orange, the function is selected.
 - If ❄️ lights up white, the function is deselected.
- Touch OK to confirm your entry.
- Or wait approximately 8 seconds after the last touch of a button. The setting will then be automatically adopted.

The SuperCool function is switched on or off.

Functions that are switched on are **not** displayed on the start screen.

After an interruption to the power supply, the SuperCool function will be switched off if it was previously switched on.

Displaying a selected function


- Touch the temperature display.

The current temperature appears on the display. The symbol for the selected function lights up orange.


Door alarm

Door alarm

The refrigeration appliance is fitted with a warning system to avoid increased energy consumption and prevent stored food becoming warm if the door is left open.

If the appliance door is left open for a longer period of time,  will light up yellow in the temperature display. An audible alarm will also sound.

The amount of time until the door alarm is triggered depends on the setting selected (factory default setting = 1 minute) and can be changed (see “Selecting further settings – Changing the time until the door alarm is triggered”). However, the door alarm can also be turned off (see “Selecting further settings – Setting the volume/ Switching alarms and audible tones on/ off”).

The alarm will stop and  will go out in the display as soon as the door is closed.

The door alarm is only displayed on the start screen.

The door alarm is automatically suppressed when you are in Settings mode. No symbol will be displayed and no alarm will sound.

If an alarm does not sound even though the door is open, the alarm has been switched off in Settings mode (see “Selecting further settings – Setting the volume/Switching alarms and audible tones on/off”).

Switching the door alarm off early

If the noise disturbs you, you can switch the alarm off if you wish.



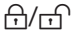





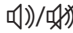








■ Touch .

The current temperature is shown in the display. The alarm will stop.

Selecting further settings

Settings overview

The following settings can be activated or changed. Default settings are shown in **bold** or as marked level in the segment bar.

Setting		Selection/factory default setting
	Switch Holiday mode on/off	On (orange symbol)/ off
	Use minute minder (QuickCool Timer)	0:00 –9:59 h:min
	Activate/deactivate the safety lock	On/ off
	Switch appliance off	OK
	Switch Sabbath mode on/off	On (orange symbol)/ off
	Change the time before the door alarm is triggered	Level 1–7 (level 1 = 30 sec) █■■■■■■ (level 2 = 1 min)
	Miele@home system settings (only visible if the WiFi stick has been fitted)	Further setting options are described in the fitting and installation instructions, which are enclosed with the stick.
	Switch keypad tone on/off	On /off
	Set volume/switch off alarms and audible tones	Off – level 7 ■■■■█■■■
	Set the display brightness	Level 1–7 ■■■■█■■■
	Change the temperature unit	°C/°F
	Demo mode (only visible when switched on)	Off
	Reset default settings	
	Access information about your refrigeration appliance	Display (important when reporting a fault to Miele Service)
	Replace charcoal filter reminder	On (orange symbol)/ off
	Clean ventilation grille reminder	On (orange symbol)/ off

Selecting further settings

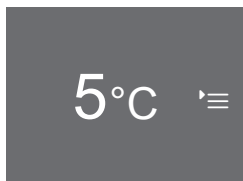
Selecting further settings

In Settings mode ☰ , certain settings can be adjusted and functions selected, allowing you to adjust the refrigeration appliance to suit your requirements.

See the following pages for more information on these settings.

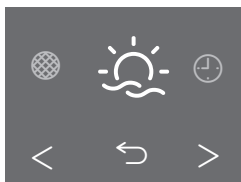
The door alarm and other warnings are automatically suppressed when you are in Settings mode. No symbol will be displayed and no alarm will sound. Exception: If there is an appliance fault (F+numbers), Settings mode will be exited automatically. The fault code will be shown on the display and an alarm will sound (see “Problem solving guide – Display messages”).

Selecting the setting you want



Start screen

- Touch ☰ .



Settings mode

- Scroll left or right using the $<$ or $>$ arrow buttons.

The symbol for the selectable setting appears in the middle of the display.

The symbols for the next available settings appear in the background to the right and left, but are not selectable.

- Touch the symbol for the setting you want (see “Settings overview”).

Depending on the setting selected, there are two options:

1. You go into a sub-menu with further options or where values can be entered.
2. You select the setting directly. The symbol turns orange and this confirms your selection. If the symbol is white, the function has not been activated.

Selecting further settings

Entering values

All values entered must be confirmed with **OK**. If the value is not confirmed the display will revert to the start screen after approx. 15 seconds and the set or altered values will not be adopted.

Exiting a menu (“Back” ↵)

You can return to the previous screen by touching ↵.

Entries made before this which have not been confirmed with **OK** will not be saved.

Explanation of the different Settings

Switching Holiday mode ☀️ on/off

This function is useful when you go on holiday, for example, if you do not wish to switch the refrigerator section off completely and do not need a high degree of cooling.

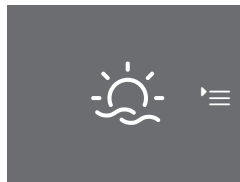
The refrigerator section is regulated at a temperature of 15 °C, remaining in operation whilst also saving energy.

As a result of the higher temperature during Holiday mode, the storage life of the food is reduced.

Do not store any temperature-sensitive food which goes off easily such as fruit, vegetables, fish, meat and dairy products during this time.

Food which does not go off quickly can be stored in the appliance for some time at this moderate refrigerator section temperature and energy consumption is lower than in normal operation. This also prevents the build-up of odours and mould which can occur if the refrigerator section is switched off and the appliance door is closed.

When Holiday mode is switched on, it is indicated on the start screen:



Holiday mode start screen

Selecting further settings


If the SuperCool function is switched on, this will be switched off when Holiday mode is selected.

Using the minute minder (Quick-Cool timer)

The minute minder can be used to time other activities in the kitchen, e.g. chilling pastry. The audible tone will sound at the set time.

A maximum minute minder duration of 9 h 59 min can be set.

– Setting the minute minder

- Touch .
- Use + or – to set the hours.
- Confirm with OK.

The hours are now set. You can now set the minutes.


- Use + or – to set the minutes.
- Confirm with OK.

The minutes are now set. The set minute minder time starts counting down. If the appliance door is opened again, the minute minder duration will appear counting down in the display. After approx. 3 s, the display changes to the start screen.

If the minute minder duration is displayed or altered, the minute minder duration countdown will be halted.

In the event of an interruption to the power supply or when power is restored, any previously set minute minder duration will be deleted.

– When the minute minder duration has elapsed


An audible signal will sound and  will flash.


- Touch the display.

The start screen appears.

– Altering a minute minder entry


- Open the appliance door.


 and the minute minder duration countdown appear for approx. 3 s in the display.

- During this time, touch the minute minder duration countdown in the display.
- Touch  to alter a minute minder duration. Proceed exactly as for setting the minute minder duration (see “Setting the minute minder”).

– Cancelling a minute minder duration

- Open the appliance door.

 and the minute minder duration countdown appear for approx. 3 s in the display.

- During this time, touch the minute minder duration countdown in the display.
- Touch  to delete a minute minder duration.

The start screen appears.

You can also alter or cancel a set minute minder duration in Settings mode.

Selecting further settings

Activating or deactivating the lock



The safety lock can be activated to prevent:

- the appliance being switched off by mistake,
- the temperature being changed by mistake,
- Super cool being selected by mistake,
- settings being adjusted by mistake (it is only possible to deactivate the safety lock).

This prevents the appliance being switched off or settings adjusted without your knowledge; for example, by children.

The safety lock will remain activated following an interruption to the power supply, if previously switched on.

– Deactivating the safety lock temporarily

- Touch the display.

 appears.

- Touch  for approx. 6 seconds.

You can now select other settings. If the appliance door is closed again, the safety lock is activated again.

– Deactivating the safety lock

- Touch the display.

 appears.

- Touch  for approx. 6 seconds.


The start screen will appear.

- Touch .

- Select .


 lights up orange.

- Touch .


 appears in the display. The safety lock is deactivated.

Switching the refrigeration appliance off

The whole refrigeration appliance can be switched off with this function.

The temperature display goes out and  lights up.

The interior lighting goes out and cooling is turned off.

 will go out after approx. 10 minutes and the display will turn dark (Energy-saving mode).


Selecting further settings

Switching Sabbath mode on/off

The refrigeration appliance has a Sabbath mode to support the observance of religious customs.


The following are switched off:

- the interior lighting when the door is opened,
- all acoustic and visual signals,
- the temperature display,
- the Holiday mode and SuperCool functions (if switched on previously),
- the minute minder (if switched on previously).

In addition, you cannot make any settings in Settings mode .

The Sabbath mode function will switch itself off automatically after approx. 120 h.

Ensure that the door is properly closed, as visual and audible alarms are switched off.

 Health risk caused by decomposing food.


As any mains outage during Sabbath mode is not indicated, the frozen goods may thaw or defrost. This will reduce the shelf life of the food as a result.

Check whether the frozen goods have started to defrost. If it has, check that the food is safe to use and if it is, then use it as soon as possible or cook it before freezing it again.

– Switching Sabbath mode on


- Touch .

 lights up orange.

Then  lights up white in the display.



Sabbath mode display

 will go out after approx. 3 seconds and the display will go dark.

– Switching Sabbath mode off prematurely


- Touch the display.

 appears.

- Touch .


 lights up orange.


- Touch .

 lights up white. The function is switched off.

Selecting further settings



Setting the time before the door alarm is triggered

The refrigeration appliance has a door alarm. If an appliance door has been left open for a longer period of time, an alarm will sound (if this has not been switched off; see “Setting the volume/Switching alarms and audible tones on/off”) and  will light up in the display (see “Door alarm”).

You can set the duration before the door alarm  sounds with the segment bar:


The duration can be set in 30 second increments, starting with 30 seconds (level 1 = 1 filled-in segment) up to a maximum of 3 minutes 30 seconds (level 7 = 7 filled-in segments).

Switching the sensor tone on / off

Every time a selectable field is touched a sensor tone sounds. You can switch this on  or off .

Setting the volume/Switching alarms and audible tones on/off

You can set the volume of the alarms and audible tones in the segment bar: If all segments are filled in, the maximum volume is set.

If no segments are filled in, the alarm and audible tones are switched off.  appears.

You will hear the volume change as it is adjusted.

Alarms and audible tones for temperature alarms, error messages, interruptions to the power supply or a set minute minder cannot be switched off.

Selecting further settings

Setting the display brightness ☀

You can set the display brightness in the segment bar:

If all segments are filled in, the maximum brightness is selected.

You will see the brightness change as it is being adjusted.

Setting the temperature unit °C/°F

You can choose between degrees Celsius °C and degrees Fahrenheit °F for the temperature display.

Switching Demo mode ■ off

Demo mode allows the refrigeration appliance to be presented in the showroom without the cooling system being switched on. Do not activate this setting for domestic use.

If Demo mode has been switched on as a default setting, ■ will show on the display. You can switch the function off here.

If Demo mode has been switched off it cannot be switched on again via Settings mode ▸☰.

Resetting to the factory default settings 🏠

All appliance settings are reset to the factory default and the appliance is switched off.

Accessing information ⓘ

Appliance data (model number and serial number) is shown in the display.

Tip: This data is important when reporting an appliance fault to Miele Service.

Confirm with OK to leave the information screen.

– Displaying licence agreements


Licences used can be displayed via ©.

Selecting further settings

Replace charcoal filter reminder

The appliance is fitted with charcoal filters (Active AirClean) in a holder.


If the charcoal filter indicator has been activated, you will be reminded to replace the filters after approx. 6 months (see “Cleaning and Care” - “Replacing the charcoal filters”).

The  symbol will then appear in the start screen in the temperature display and an audible tone will sound (if switched on).

Touch the symbol to confirm the message. This resets the counter and the display changes back to the start screen.

Clean ventilation grille reminder

The appliance has a ventilation grille in the plinth.


If the Clean ventilation grille reminder is activated, you will be reminded to dust the ventilation grille after approx. 12 months (see “Cleaning and care - Cleaning the ventilation grille”).  will then appear in the display and an audible tone will sound (if switched on).


Tip: The ventilation grille should be cleaned on a regular basis with a brush or vacuum cleaner (e.g. use the dusting brush for Miele vacuum cleaners).

A build-up of dust will increase the energy consumption of the appliance.

Touch the symbol to confirm the message. This resets the counter and the display changes back to the start screen.

Storing food in the refrigerator section

 Risk of explosion due to flammable mixes of gases.
Electrical components can cause flammable mixes of gases to ignite.
Do not store explosive materials in the refrigeration appliance or any products containing propellants (e.g. spray cans).

 Risk of damage due to greasy or oily foods.
If storing food which contains a lot of fat or oil in the refrigeration appliance or the appliance door, make sure that it does not come into contact with plastic components as this could cause stress cracks or break the plastic.
Make sure that no fat or oil leaks onto the plastic parts of the refrigeration appliance.

Different storage zones

Due to natural air circulation, there are different temperature zones in the refrigerator section.

Cold, heavy air sinks to the lowest section of the refrigeration section. Make use of the different zones when placing food in the appliance.

Tip: To allow air to circulate efficiently, do not pack food too closely together in the appliance.

If there is insufficient air circulation, the cooling performance will decrease and energy consumption will increase.
Do not cover the fan in the rear wall of the appliance.

Tip: Do not store food in such a way that it touches the rear wall of the refrigerator section as it may freeze to the rear wall.

This appliance has automatic Dynamic cooling, which helps to keep an even temperature when the fan is running, making the difference between the various zones is less pronounced.

Warmest area

The warmest area in the refrigerator section is at the top in the front area and in the door. Use this for storing butter and cheese.

Storing food in the refrigerator section

Coldest area

The coldest area in the refrigerator section is directly above the DailyFresh drawer and at the back of the appliance.

Use these areas in the refrigerator section for all delicate and highly perishable food, e.g.:

- Fish, meat, poultry
- Cold cuts, ready meals
- Dishes or baked goods containing eggs or cream
- Fresh dough, cake mixtures, pizza or quiche dough
- Raw milk cheese and other raw milk products
- Pre-packed vegetables
- Other fresh food (with a label stating it should be kept at a temperature of approx. 4 °C)

Food which is not suitable for storage in the refrigerator section

Not all food is suitable for refrigeration at temperatures below 5 °C, because it may be sensitive to cold. Depending on the type of food, the appearance, consistency, flavour and/or vitamin content may be altered if stored at too cold a temperature.

Foods which are sensitive to cold include:

- Pineapples, avocados, bananas, pomegranates, mangoes, melons, papayas, passionfruit, citrus fruits such as lemons, oranges, mandarins, grapefruits
- Fruit (which is not yet ripe)
- Aubergines, cucumbers, potatoes, peppers, tomatoes, courgettes
- Hard cheeses (e.g. Parmesan, mountain cheese)

Storing food in the refrigerator section

Notes on buying food

The freshness of food when first placed in the appliance is an important factor in determining how long it stays fresh, and how long it can be kept in the appliance.

Take into account the use-by date and the correct storage temperature.

Time out of the refrigerator, e.g. transporting food in a warm car, should be kept to a minimum.

Tip: Take an insulated cool bag when shopping, and load food in the appliance as soon as possible.

Storing food correctly

Ensure that food stored in the refrigerator section is **in packaging or covered properly** (some exceptions apply in the DailyFresh drawer). This will prevent food odours from affecting other foods, food from drying out, and also any cross-contamination of bacteria. This is particularly important when storing meat products.

By ensuring that the temperature settings are correct and by taking appropriate hygiene measures you can prolong the storage life of your food considerably.

Protein-rich food

Please note that food rich in protein deteriorates faster than other types of food. Shellfish, for example, deteriorates faster than fish, and fish deteriorates faster than meat.

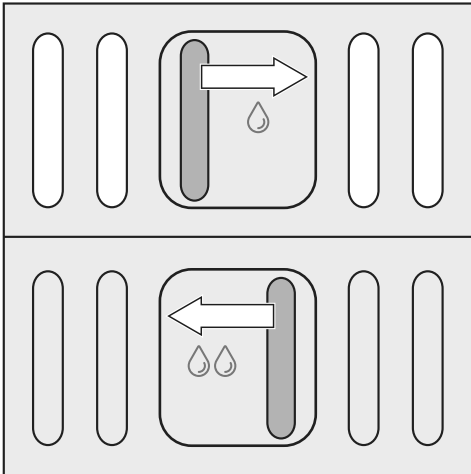
Storing food in the DailyFresh drawer

The DailyFresh drawer provides good storage conditions for fruit and vegetables.

The humidity level in the DailyFresh drawer can also be regulated to suit the food being stored. Food retains its own moisture if stored at a higher humidity and so does not dry out as quickly. The temperature is approximately equivalent to the temperature in the refrigerator section.

Remember that the fresher the food when placed in the appliance, the longer it will stay fresh.

Regulating the humidity level in the DailyFresh drawer



A slide control is used to regulate the amount of moisture present.

Slide control at δ = moisture not increased

For hygiene reasons always keep these foods **covered or wrapped**.

Slide control at $\delta\delta$ = moisture increased

This setting is suitable for storing fruit and vegetables.

The slide control closes the vents in the drawer so the moisture cannot escape.

The moisture level greatly depends on the type and quantity of food being stored, if stored unwrapped. If the quantity of food being stored in this compartment is small, the humidity level may be too low.

Tip: If you are only storing a small amount of food, wrap it in airtight packaging.

Increased moisture in the drawer can, in some circumstances, cause a build-up of condensate. Wipe off any condensate with a cloth.

Storing food in the DailyFresh drawer

Storage results for food stored in the DailyFresh drawer

Observe the following tips if you find that food you have stored does not keep well (e.g. food becomes limp or wilts after only being stored for a short time):

- Only place fresh food in the appliance. The initial condition of the food is crucial to maintaining freshness.
- Clean the drawer before storing food in it.
- Very wet food should be dried off before storing it.
- Do not store food which is sensitive to cold in the drawer (see “Food which is not suitable for storing in the refrigerator section”).
- Set the slide control to the correct position for the food being stored (humidity not increased or humidity increased).
- An increased humidity level $\delta\delta$ in the humidity controlled compartment is achieved by the moisture present in the food being stored, i.e. the more food stored in the compartment, the higher the humidity.
If too much moisture collects in the compartment at the $\delta\delta$ setting and the food is affected, dry the floor with a cloth, and place a rack or similar item in the compartment so that excess moisture can drip down.
If the humidity level becomes too low, wrap the food in airtight packaging.

Adjusting the interior fittings (refrigerator section)

Adjusting the door/bottle shelf

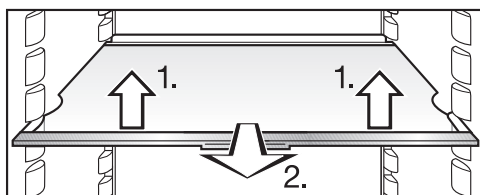
Only move door/bottle shelves when they are empty.

- Push the door/bottle shelf upwards, then remove it by pulling it forwards.
- Replace the shelf at the required height. Ensure that it is securely pushed back into position.

Moving the adjustable shelf/ adjustable shelf with lighting

By adjusting the position of the adjustable shelf with lighting in the refrigerator section, you can change the illumination in this section according to your needs.

Stoppers prevent the shelves from being dislodged by mistake.



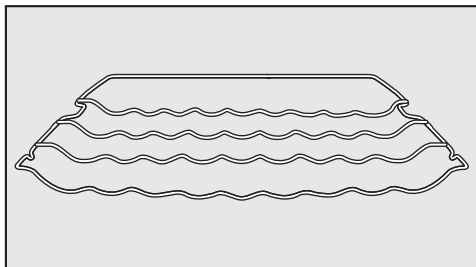
- The shelves can be adjusted according to the height of the refrigerated goods:

1. Lift it upwards slightly at the front.
2. Pull it forwards a little and lift it until the notch at the side is in line with the shelf support. It can then be raised or lowered to the required level.

- Push the shelf in until it clicks into position.

The raised edge on the protective strip at the back must face upwards to prevent food from touching the back of the appliance and freezing to it.

Adjusting the bottle rack



The bottle rack can be placed at different positions in the appliance.

- Raise the bottle rack slightly at the front, and pull it forwards a little until the notch at the side is in line with the shelf support. It can then be raised or lowered to the required level.

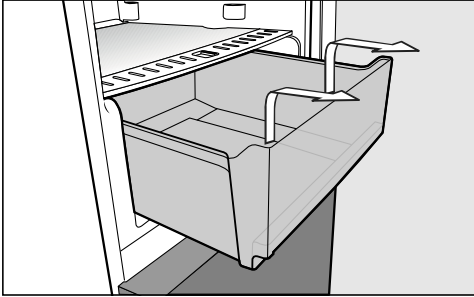
The rear rail must face upwards to prevent bottles from touching the back of the appliance.

Stoppers prevent the bottle rack from being dislodged by mistake.

Adjusting the interior fittings (refrigerator section)

Removing the DailyFresh drawer and rollers

The DailyFresh drawer is on rollers and can be removed for filling, emptying or cleaning purposes.



- Pull out the drawer as far as it will go, and then lift it up and out.
- Remove the roller runners from the appliance floor.

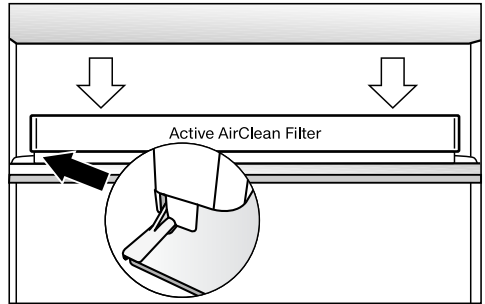
Moving the charcoal filters

When storing very strong smelling food (e.g. very ripe cheese):

- Place the holder with the charcoal filters on the shelf where this food is kept.
- Change the filters sooner if necessary.
- Use more charcoal filters (with holders) in the appliance (see “Accessories - Optional accessories”).

The holder for the charcoal filters sits on the protective strip at the back of the shelf.

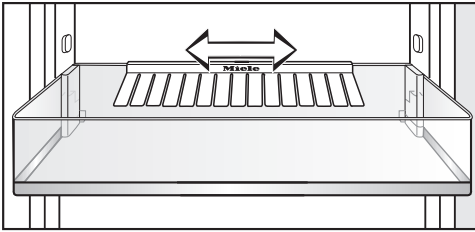
- Pull the charcoal filter holder upwards to remove it from the protective strip.



- Refit it on the protective strip of the shelf you wish to use it on.

Adjusting the interior fittings (refrigerator section)

Moving and fitting the bottle holder



The bottle holder can be moved left or right to create more room for drink cartons.

The bottle holder can be removed completely (e.g. for cleaning):

- Pull the bottle holder upwards to remove it from the rear edge of the bottle shelf.

The bottle holder can be replaced after cleaning.

Defrosting

Refrigerator section and DailyFresh drawer


The refrigerator section and the DailyFresh drawer defrost automatically.

Condensate and frost can build up on the back wall of the refrigerator section and the DailyFresh drawer whilst the compressor is running. You do not need to remove this, as it will defrost and evaporate automatically with the warmth generated by the compressor.

The condensate drains through a channel and drain pipe into an evaporation system at the back of the refrigeration appliance.

Keep the condensate channel and drain hole clean to enable this. Condensate must be able to drain away unhindered at all times.

Do not let water get into the electronic module or the lighting.

 Risk of damage due to moisture ingress.

The steam from a steam cleaner can damage plastic and electrical components.

Do not use a steam cleaner to clean the refrigeration appliance.

Cleaning water must not get into the drain hole.

The data plate located inside the interior cabinet of the refrigeration appliance must not be removed. It contains information which is required in the event of a fault.

Cleaning agents

Cleaning and conditioning agents used inside the appliance must be food safe.

To avoid damaging all the surfaces of your appliance, **do not use:**

- cleaning agents containing soda, ammonia, acids or chlorides
- cleaning agents containing descaling agents
- abrasive cleaning agents, e.g. powder cleaners and cream cleaners
- solvent-based cleaning agents
- stainless steel cleaning agents
- dishwasher cleaner
- oven sprays
- glass cleaning agents
- hard, abrasive sponges and brushes, e.g. pot scourers
- melamine eraser blocks
- sharp metal scrapers

We recommend using a clean sponge, lukewarm water with a little washing-up liquid to clean surfaces of the appliance.

The following pages contain important information on cleaning.

Cleaning and care

Preparing the appliance for cleaning

- Switch the appliance off.
- ⏻ appears in the display and cooling is switched off.
- Disconnect it from the mains.
- Take any food out of the appliance and store it in a cool place.
- Remove the shelves and bottle shelf from the door.
- Take out all other removable parts for cleaning.

Dismantling the adjustable shelf/adjustable shelf with lighting

⚠ Risk of damage as a result of incorrect cleaning.

The stainless steel trim with LED lighting will be damaged if you place it in water for cleaning.

Clean the stainless steel trim with LED lighting with a damp cloth.

Remove the stainless steel trims or stainless steel trim with LED lighting before cleaning the adjustable shelves in the dishwasher.

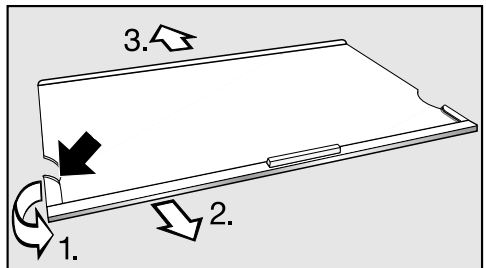
To remove the stainless steel trim and the rear protective strips, proceed as follows:

- Place the adjustable shelf on a soft surface (e.g. a tea towel) with the top side facing downward.

⚠ Risk of damage as a result of incorrect handling.

When you remove the stainless steel trim with LED lighting, the contacts (metal disc) can be damaged.

These contacts in the front left corner supply power to the LED lighting. Ensure that you always loosen the side on which the contacts are not located first.



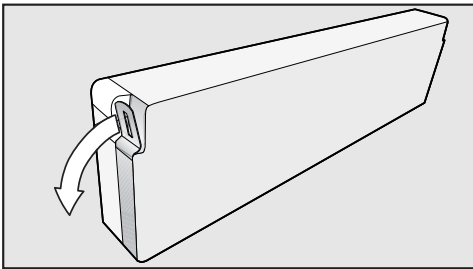
- Grasp the plastic surround on the left-hand side of the stainless steel trim at its rearmost point.
1. Pull the plastic surround from the adjustable shelf and
 2. pull the trim off at the same time. The opposite side will also be released.
 3. Then pull the protective strip off.
- After cleaning, reattach the stainless steel trim or protective strip by following the same procedure in reverse.

Dismantling the bottle and door shelves

Remove the stainless steel trim before cleaning the door shelves in a dishwasher.

To remove the stainless steel trim, proceed as follows:

- Place the door/bottle shelf with the front side on the work surface.

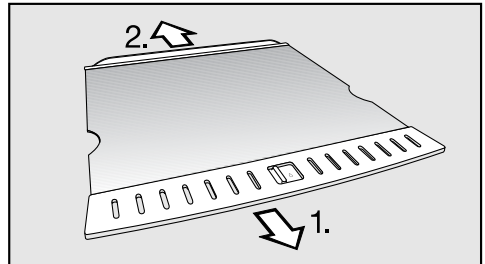


- Take hold of one end of the trim and pull it off the shelf. The entire section of stainless steel trim will now come off the shelf.
- After cleaning, reattach the stainless steel trim to the shelf by following the same procedure in reverse.

Removing the DailyFresh slide control

Remove the DailyFresh slide control before cleaning. Proceed as follows:

- Place the shelf on a worktop covered with a soft material (e.g. a tea towel).

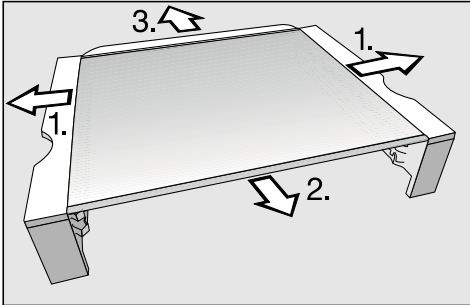


- Pull the slide control panel (1) and the plastic trim (2) off, starting from one side.
- After cleaning the shelf reattach the plastic trim and the slide control panel.

Cleaning and care

Dismantling the storage drawer (CompactCase)

- Place the storage drawer on a work-top covered with a soft material (e.g. a tea towel).



- Pull off the supports (1) from the sides of the shelf.
- Pull the stainless steel trim (2) off the shelf.
- Pull the protective strip (3) off the shelf.
- After cleaning the shelf reattach the stainless steel trim, the protective strip and the supports.

Cleaning the interior and accessories

The appliance should be cleaned regularly (at least once a month).


Remove soiling immediately to prevent it from drying on.

- Clean the **interior** with a clean sponge, lukewarm water and a little washing-up liquid.
- After cleaning, wipe with clean water and dry with a soft cloth.

Remove the stainless steel trims before cleaning the adjustable shelves and door shelves in a dishwasher.

The following parts **cannot be cleaned in a dishwasher**:

- the stainless steel trim or strips
- the protective strips at the back of the adjustable shelves
- all drawers and the compartment lid (depending on model)
- the bottle rack
- These accessories should all be hand washed.

 Risk of damage as a result of excessively high dishwasher temperatures.

Parts of the refrigeration appliance may become unusable, e.g. deform, if they are washed in the dishwasher at more than 55 °C.

For dishwasher-safe parts, only use dishwasher programmes with a maximum temperature of 55 °C.

Contact with natural dyes from carrots, tomatoes and ketchup, etc., may discolour the plastic parts in the dishwasher. This discolouration does not affect the stability of the parts.

The following parts **can be cleaned in the dishwasher**:

- bottle holder, butter dish, egg tray (depending on model)
- the bottle shelf and shelves in the door (with stainless steel trim removed)
- the adjustable shelves (with the trim/strips removed and without the printing)
- the holder for the charcoal filters
- Clean the condensate channel and drain hole frequently so that condensate can drain away unhindered. Use a straw or similar to clear the drain if necessary.
- Take the DailyFresh drawer out to do this.
- Leave the door open to air the appliance for a short while and to prevent odours building up.

Cleaning the front of the appliance and the side panels

If soiling is left on for any length of time, it may become impossible to remove. Surfaces may suffer discolouration or damage.

Therefore, it is best to remove soiling from the appliance front and side panels immediately.


All surfaces are susceptible to scratching. Contact with unsuitable cleaning agents can alter or discolour the surfaces.

See the information on “Cleaning agents” at the beginning of this section.

- Clean the surfaces with a clean sponge and a solution of warm water and washing-up liquid. A clean, damp microfibre cloth without cleaning agent can also be used.
- After cleaning, wipe with clean water and dry with a soft cloth.

Cleaning and care

Appliance front

 Risk of damage as a result of incorrect cleaning.

The front finish (CleanSteel) will be damaged.


Do not use a stainless steel cleaning agent on this surface.

The appliance front has a high quality, special finish (CleanSteel). It is resistant to soiling and is very easy to clean.

Cleaning the ventilation grille

A build-up of dust will increase the energy consumption of the appliance.


- The ventilation grille should be cleaned on a regular basis with a brush or vacuum cleaner (e.g. use the dusting brush for Miele vacuum cleaners).

Tip: If you want to be reminded automatically every 12 months, switch the “Clean ventilation grille” reminder on (see “Selecting further settings – Clean ventilation grille  reminder”).

Cleaning the door seal

If the door seal is damaged or has slipped out of its groove, the door will not close properly and cooling performance will be reduced. Condensate will build up in the interior and this can cause a build-up of ice.

Do not damage the door seal and ensure it does not slip out of its groove.

 Risk of damage as a result of incorrect cleaning.

If you treat the door seal with oils or grease, it can become porous.

Do not use any oils or grease on the door seal.

- The door seal should be cleaned regularly with clean water and then wiped dry with a cloth.

Replacing the charcoal filters

Replace the charcoal filters in the holder every 6 months.

If you would like to be reminded automatically every 6 months, switch on the “Replace charcoal filter” reminder (see “Selecting further settings – Replace charcoal filter reminder”).

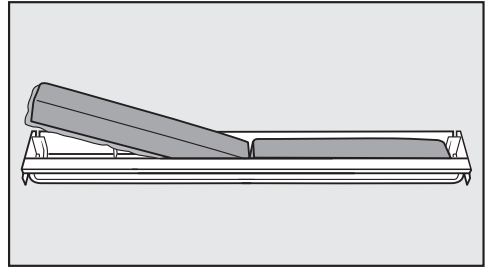
Replacement KKF-RF charcoal filters can be obtained from Miele, from your retailer or from Miele’s website.

Tip: The charcoal filter holder is dishwasher-safe.

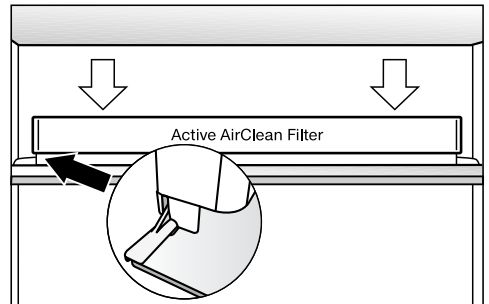
- Pull the charcoal filter holder upwards to remove it from the adjustable shelf.


When in position, the charcoal filters must not touch the rear wall of the appliance as the moisture could cause them to stick to it.

Insert the new charcoal filters deep enough in the holder to ensure that they do not protrude over the edge of the holder.



- Remove both charcoal filters and place the new filters with the surrounding edge pointing downwards in the holder.



- Place the holder in the middle of the raised edge at the back of the adjustable shelf, so that it clicks into position.
- Touch  to confirm that the filters have been replaced.

The “Replace charcoal filter” reminder will go out on the display and the counter will be reset.

Cleaning and care

After cleaning

- Replace all shelves and accessories in the appliance.
- Reconnect to the mains and switch the appliance back on.
- Switch on the Super cool function for a while so that the refrigerator section can cool down quickly.
- Place food in the refrigerator section and close the door.

Problem solving guide

Many malfunctions and faults that can occur in daily operation can be easily remedied. Time and money will be saved because a service call will not be needed.

The following guide may help you to find the reason for a malfunction or a fault, and to correct it.








To prevent unnecessary loss of temperature it is advisable not to open the door while waiting for the appliance to be serviced.

Problem	Cause and remedy
The appliance is not getting cold and the interior lighting does not come on when the door is opened.	The appliance has not been switched on. ■ Switch the appliance on.
	The mains plug is not inserted in the socket correctly or the plug connector is not inserted into the socket at the back of the appliance correctly. ■ Insert the mains plug into the mains socket and the plug connector into the appliance socket correctly and switch on.
	Check whether the mains fuse has tripped. There could be a fault with the appliance, the household electrical wiring or another electrical appliance. ■ Contact a qualified electrician or Miele.
The compressor runs continuously.	This is not a fault. To save energy, the compressor runs at a lower speed, but for longer, when less cooling is required.
The compressor is switching on more frequently and for longer periods of time. The temperature in the refrigeration appliance is too low.	The ventilation gaps have been covered or become too dusty. ■ Do not block the ventilation gaps. ■ Dust the ventilation gaps regularly.







Problem solving guide

Problem	Cause and remedy
	<p>The appliance door has been opened too frequently or a large amount of food has been put in at once.</p> <ul style="list-style-type: none"> ■ Only open the door when necessary and for as short a time as possible. <p>After a while, the temperature will return to normal by itself.</p> <hr/> <p>The appliance door is not properly closed.</p> <ul style="list-style-type: none"> ■ Close the appliance door. <p>After a while, the temperature will return to normal by itself.</p> <hr/> <p>The ambient room temperature is too high. The higher the room temperature, the longer the compressor will run for.</p> <ul style="list-style-type: none"> ■ See “Installation – Location”. <hr/> <p>The temperature setting is too low.</p> <ul style="list-style-type: none"> ■ Correct the temperature setting. <hr/> <p>The SuperCool function is still switched on.</p> <ul style="list-style-type: none"> ■ You can switch off the SuperCool function earlier to save energy.
<p>The compressor comes on less and less often and for shorter periods of time.</p>	<p>This is not a fault. The temperature is too high.</p> <ul style="list-style-type: none"> ■ Adjust the temperature. ■ Check the temperature again after 24 hours.
<p>Ice or condensation has built up inside the appliance.</p>	<p>The door seal has come out of its groove.</p> <ul style="list-style-type: none"> ■ Check that the door seal is correctly positioned in the groove. <hr/> <p>The door seal is damaged.</p> <ul style="list-style-type: none"> ■ Check whether the door seal is damaged.
<p>The door seal is damaged or needs to be replaced.</p>	<p>No tools are required to change the door seal.</p> <ul style="list-style-type: none"> ■ Change the door seal. A replacement is available from Miele or from specialist retailers.


Display warnings

Message	Cause and remedy
<p> lights up on the display, the appliance does not get cold even though the controls and the interior lighting are working.</p>	<p>Demo mode is switched on.</p> <ul style="list-style-type: none"> Switch Demo mode off (see “Selecting further settings – Switching Demo mode off”).
<p>Nothing is visible on the display. The display is completely blank.</p>	<p>Energy-saving mode is switched on. If the appliance has not been operated for a while (approx. 10 minutes), the display is switched off.</p> <ul style="list-style-type: none"> Touch the display. <p>The display shows the most recent indication.</p>
	<p>Sabbath mode is switched on. The interior lighting is switched off and the appliance is cooling down.</p> <ul style="list-style-type: none"> Touch the display. <p> will then light up white in the display (see “Selecting further settings – Switching Sabbath mode on/off”).</p>
<p> is lit up in the display and the appliance cannot be used.</p>	<p>The safety lock has been activated.</p> <ul style="list-style-type: none"> Deactivate the safety lock temporarily or switch it off completely (see “Selecting further settings - Activating or deactivating the safety lock”).
<p> lights up in the refrigerator section temperature display and an audible tone sounds.</p>	<p>The Replace charcoal filter reminder setting has been activated. This is the reminder to change the Active AirClean charcoal filters.</p> <ul style="list-style-type: none"> Confirm that the filters have been replaced by touching  in the display, and replace the charcoal filters in the holder (see (“Cleaning and care” - “Replacing the charcoal filters”).
<p> lights up in the display and an audible tone also sounds.</p>	<p>The Clean ventilation grille reminder setting has been activated. This is the prompt to clean the ventilation grille.</p> <ul style="list-style-type: none"> Confirm the message by touching  in the display and clean the ventilation grille (see “Cleaning and care - Cleaning the ventilation grille”).

Problem solving guide




Message	Cause and remedy
<p> lights up yellow in the display and an alarm also sounds.</p>	<p>The door alarm has been activated (also see “Door alarm”).</p> <ul style="list-style-type: none"> ■ Touch  in the display. <p>The alarm message is confirmed and the warning tone stops. The current temperature will appear in the display again.</p> <ul style="list-style-type: none"> ■ Close the appliance door. <p>The alarm will stop.</p>
<p> lights up red in the display, a fault code F with numbers appears and an alarm also sounds.</p>	<p>There is a fault.</p> <ul style="list-style-type: none"> ■ To switch the alarm off touch  in the display. ■ Contact Miele. <p>To report the fault you need the fault code and also the model number and serial number of your appliance. You can access these in the display.</p> <ul style="list-style-type: none"> ■ To do this touch  in the display. <p>The appliance data required will be shown in the display.</p> <p>Confirm with OK to exit the information display and the fault code will be shown again in the display.</p> <p>The appliance can be switched off directly from the fault code display.</p> <ul style="list-style-type: none"> ■ Touch . <p>There is an appliance fault: this display always has priority over any settings which have just been selected.</p> <p>An appliance fault has priority over any current door and/or temperature alarms displayed.</p>

Other problems



Problem	Cause and remedy
The external walls of the appliance feel warm.	This is not a fault. The heat created by the evaporator is used to prevent condensation.
There is no audible alarm even though the door has been open for a long time.	Not a fault! The alarm has been switched off in Settings mode (see “Selecting further settings – Setting the volume/Switching alarms and audible tones  on/off”).

Problem solving guide

The interior lighting is not working.

Problem	Cause and remedy
The interior lighting is not working.	<p>The refrigeration appliance has not been switched on.</p> <ul style="list-style-type: none">■ Switch the appliance on.
	<p>Sabbath mode is switched on: the display is dark and the appliance is cooling down.</p> <ul style="list-style-type: none">■ Touch the display.
	<p> will then light up white in the display (see “Selecting further settings – Switching Sabbath mode on/off”).</p>
	<p>To avoid overheating, the lighting switches itself off automatically after approx. 15 minutes if the door is left open. If this is not the case, then there is a fault.</p>
	<p> Risk of electric shock There are live electrical components under the lighting cover. The LED lighting may only be repaired or replaced by Miele Service.</p>
<p> Risk of injury from LED lighting The light intensity corresponds to laser beam class 1/1M. The lighting covers must not be removed or damaged, or be removed due to damage. This could cause injury to your eyes. Do not look into the LED lighting (laser beam class 1/1M) with optical instruments (e.g. a magnifying glass or similar).</p>	
<ul style="list-style-type: none">■ Call Miele Service.	

Problem solving guide

Problem	Cause and remedy
<p>The LED lighting on one of the adjustable shelves is not working.</p>	<p>The shelf has not been positioned correctly on the shelf supports.</p> <ul style="list-style-type: none"> ■ Check that the shelf is positioned correctly on the shelf supports. The shelf has a metal disc (contacts) at the front left corner which supply power to the LED lighting. ■ Push the shelf in until it clicks into position.
	<p>The metal disc is not clean and dry.</p> <ul style="list-style-type: none"> ■ Clean it with a damp cloth and then dry with a lint-free cloth.
	<p>The LED lighting on the stainless steel trim is faulty.</p> <div style="border: 1px solid gray; padding: 5px;"> <p> Risk of electric shock.</p> <p>There are live electrical components under the lighting cover.</p> <p>The LED lighting may only be repaired or replaced by Miele Service.</p> </div>
	<div style="border: 1px solid gray; padding: 5px;"> <p> Risk of injury from LED lighting. The light intensity corresponds to laser beam class 1/1M.</p> <p>The lighting covers must not be removed or damaged, or be removed due to damage. This could cause injury to your eyes.</p> <p>Do not look into the LED lighting (laser beam class 1/1M) with optical instruments (e.g. magnifying glass or similar).</p> </div> <ul style="list-style-type: none"> ■ Replace the adjustable shelf with LED lighting. A replacement is available from Miele Service.

Problem solving guide

Problem	Cause and remedy
The LED lighting is not working on any of the shelves.	<p>Liquid has been spilt onto the LED lighting on one of the shelves or the metal discs (contacts) in the left-hand shelf supports.</p> <p>The safety switch-off mechanism has switched off the LED lighting on all the shelves.</p> <ul style="list-style-type: none">■ Wipe the stainless steel trim with LED lighting with a damp cloth and dry it or leave it outside the appliance to dry. Clean the metal discs (contacts) in the shelf supports in the same way.■ Make sure that the contacts are clean and dry before replacing the shelves with LED lighting.■ Push the shelf in until it clicks into position.■ Close the appliance door. <p>The interior lighting will come on when the door is opened again.</p>
	<p>If this is not the case, then there is a fault.</p> <ul style="list-style-type: none">■ Call Miele.

Normal noises	What causes them
Brrrrr ...	A humming noise is made by the motor (compressor). This noise can get louder for brief periods when the motor switches on.
Blubb, blubb ...	A gurgling noise can be heard when coolant is circulating through the pipes.
Click ...	Clicking sounds are made when the thermostat switches the motor on and off.
Crack ...	A cracking sound can be heard when materials expand inside the appliance.
Remember that the noise of the compressor and the coolant circulating in the system is unavoidable.	

Noises	Cause and remedy
Rattling, vibrating	The refrigeration appliance is uneven. Realign the appliance using a spirit level by raising or lowering the adjustable feet underneath the refrigeration appliance or placing something underneath it.
	The refrigeration appliance is touching another appliance or piece of furniture. Move it away.
	Drawers, baskets or shelves are jiggling or are stuck. Check all removable items and refit them correctly.
	Bottles or containers are touching each other. Separate them.

Service

Contact in case of malfunction

In the event of any faults which you cannot remedy yourself, please contact your Miele Dealer or Miele Service.

Contact information for Miele Service can be found at the end of this document.

Please note that telephone calls may be monitored and recorded for training purposes and that a call-out charge will be applied to service visits where the problem could have been resolved as described in this booklet.

Please quote the model and serial number of your appliance when contacting Miele. This information can be found on the data plate.

The data plate can be found inside the appliance.

Displaying appliance information

This can be found in Settings mode under Information **i** (see “Selecting further settings – Accessing information”) or on the data plate inside the refrigeration appliance.

– Displaying licence agreements

Licences used can be displayed via ©.

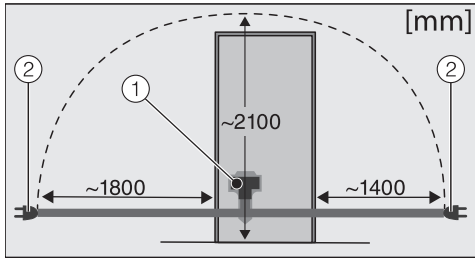
Warranty

The appliance warranty is valid for 2 years from date of purchase. In the UK, you must activate your cover by calling 0330 160 6640 or registering online at www.miele.co.uk.

For more information on country-specific warranty terms and conditions, please contact Miele Customer Service.

Electrical connection

The refrigeration appliance must only be connected using the connection cable supplied (AC 220–240 V 50 Hz supply).



- ① Appliance plug connector
- ② Mains plug

A longer connection cable is available to order from Miele .

The fuse rating must be at least 10 A.

This appliance must be connected to a suitable switched socket. The electrical installation must comply with current local and national safety regulations (e.g. VDE 0100 in Germany).

The socket must not be concealed behind the refrigeration appliance and must be easily accessible so that the appliance can be quickly disconnected from the electrical supply in case of an emergency.

If the socket is no longer accessible after installation, an additional means of disconnection must be provided for all poles. Suitable means of disconnection include switches with an all-pole contact gap of at least 3 mm. These include circuit breakers, fuses and contactors (EN 60335).

The mains plug and mains connection cable must not come into contact with the back of the refrigeration appliance as vibrations can cause damage to these components. This could result in a short circuit.

Do not plug in other appliances behind this refrigeration appliance.

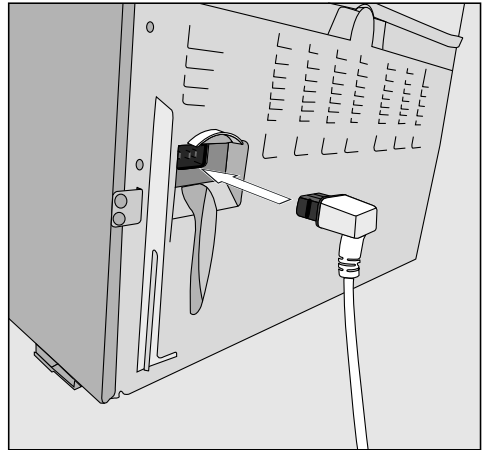
Do not connect the appliance to the mains electricity supply using an extension lead. Extension leads do not guarantee the required safety of the appliance (e.g. danger of overheating).

Installation

Do not connect the refrigeration appliance to a stand-alone inverter such as those used with an autonomous energy source, e.g. **solar power**.

When the refrigeration appliance is switched on, power surges could result in a safety switch-off. This could damage the electronic module. The refrigeration appliance must not be used with so-called **energy-saving devices** either. These reduce the amount of energy supplied to the appliance, causing it to overheat.

Connecting the appliance



- Insert the plug connector into the socket at the back of the refrigeration appliance.

Make sure that the plug connector has clicked into position correctly.


- Insert the mains plug into the mains socket and switch on.

The appliance is now connected to the electricity supply:


⏻ will appear on the display.

Follow the steps described in “Switching on and off – Switching on”.

Installation

 Fire risk and danger of damage from appliances which give off heat. Appliances which give off heat can catch fire and set fire to the refrigeration appliance.


Do not place appliances which give off heat, such as mini-ovens, double burner hobs or toasters on the refrigeration appliance.

 Fire risk and danger of damage from open flames.

Open flames can set fire to the refrigeration appliance.

Keep open flames (e.g. a candle) away from the refrigeration appliance.

Side-by-side installation

 Risk of damage due to corrosion on external appliance panels.

In environments with high humidity, condensation can build up on external appliance panels, which can cause corrosion.

Do not place different refrigeration appliance models directly next to one another.

If the model number for your refrigeration appliance **does not** have the letter “**S**” in it, it cannot be installed “side-by-side”. Your refrigeration appliance must not be installed “side-by-side” because it is not equipped with built-in heating units in the side panels.

If the model number for your refrigeration appliance does have the letter “**S**” in it, it can be installed “side-by-side”.

Your refrigeration appliance is equipped with built-in heating units in the side panels.

Please contact your dealer for specific information about which combinations will work with your appliance.

Location


This appliance should be installed in a dry, well-ventilated room.

When deciding where to install your refrigeration appliance please bear in mind that it will use more energy if installed near to a heater, a cooker or other appliance that gives off heat. Direct sunlight should also be avoided. The higher the room temperature, the longer the compressor runs and the higher the energy consumption is.

When installing the appliance, please note:

- The socket must be easily accessible in an emergency, not concealed behind the appliance.
- The plug and cable must not touch the rear of the appliance as they could be damaged by vibrations from the appliance.
- Do not plug in other appliances behind this appliance.

Installation

 Risk of damage due to condensation on external appliance panels. In environments with high humidity, condensation can build up on external appliance panels, which can cause corrosion.

To prevent this, it is advisable to install the refrigeration appliance in a dry and/or air-conditioned room with sufficient ventilation.

After installation, make sure that the appliance door closes properly, that the specified ventilation gaps are adhered to, and that the refrigeration appliance has been installed in accordance with these installation instructions.


Climate range

The appliance is designed for use within a certain climate range (ambient temperatures) and should not be used outside this range. The climate range of the appliance is stated on the data plate inside the appliance.

Climate range	Ambient room temperature
SN	+10 to +32 °C
N	+16 to +32 °C
ST	+16 to +38 °C
T	+16 to +43 °C

Operating in a room which is too cold will cause the compressor to switch off for too long, causing the internal temperature in the appliance to rise with the risk of food deteriorating and going off.

Ventilation

 Risk of fire and damage due to insufficient ventilation.

If the refrigeration appliance is not ventilated sufficiently, the compressor will run more frequently and for longer periods. This will result in increased energy consumption and a higher operating temperature for the compressor. This may, in turn, cause damage to the compressor.

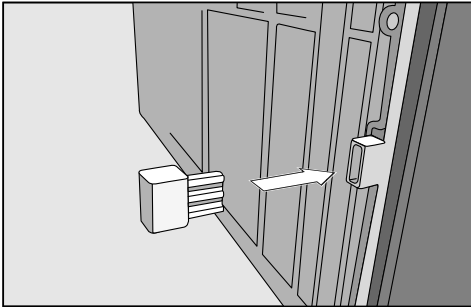
Please ensure that there is adequate ventilation around the refrigeration appliance.

It is essential to observe the ventilation gaps given. The ventilation gaps must not be covered or blocked in any way.

Air at the back of the refrigeration appliance gets warm.

Fitting supplied wall spacers

The wall spacers supplied must be used in order to achieve declared energy consumption values and to prevent the build-up of condensation at high ambient temperatures. The appliance depth is increased by approx. 15 mm with the wall spacers fitted. If the wall spacers are not used, the functionality of the appliance is not affected. Energy consumption is only slightly increased with less distance between the appliance and the wall.



- Fit the wall spacers onto the back of the refrigeration appliance on the bottom left and right.

Limiting the opening angle of the appliance door

The door hinges are set ex works to enable the door to be opened up to 115°. If the appliance door hits an adjacent wall when opened, for example, the opening angle can be limited to approx. 90°:

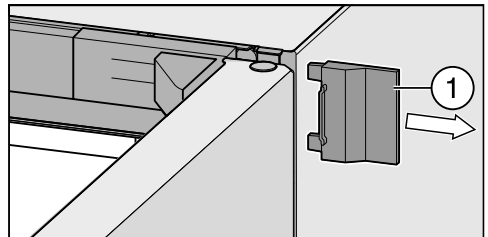
The door opening angle limiter should be fitted before the refrigeration appliance is installed.

Fitting the door opening angle limiter

- Switch off at the wall and remove the plug from the socket, or disconnect the mains fuse.

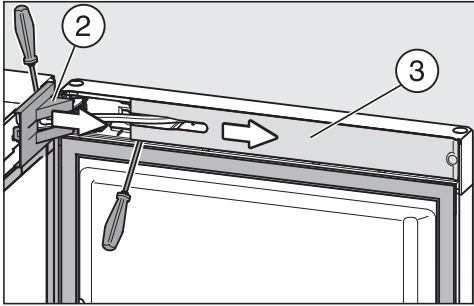
- Removing the soft-close mechanism

- Open the appliance door.

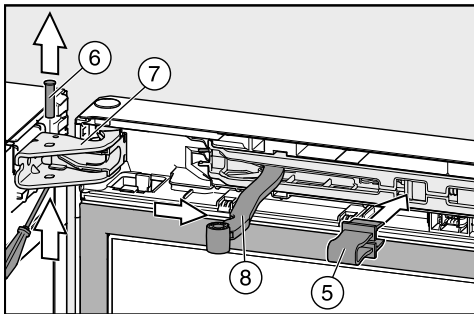


- Push off right outer cover ①.

Installation



- Remove cover ② from the door hinge and cover ③ from the soft-close mechanism.

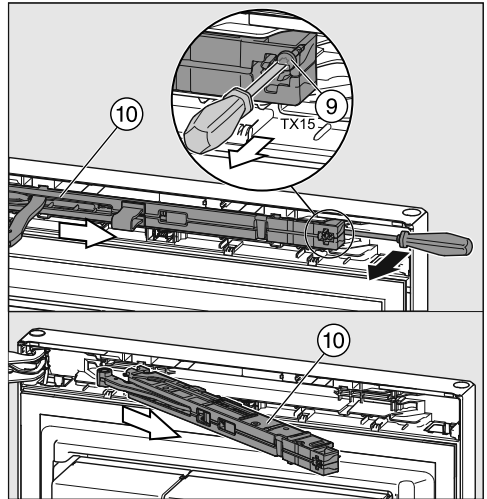


- Click the red safety device ⑤ (supplied with the refrigeration appliance) into place in the opening.

The safety device prevents the soft-close mechanism and the hinge plate from snapping shut.

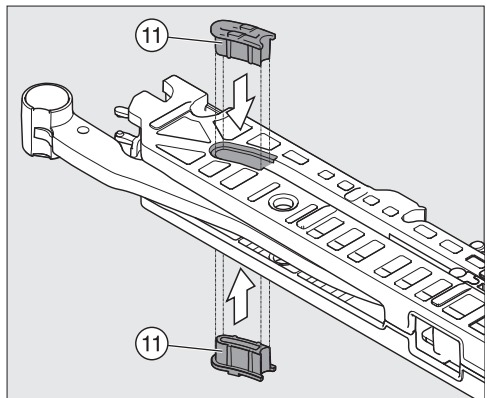
Do not remove the red safety device until instructed to do so.

- Push the pin ⑥ out of the door hinge ⑦ and remove it.
- Move the hinged arm ⑧ of the soft-close mechanism away from the door hinge.



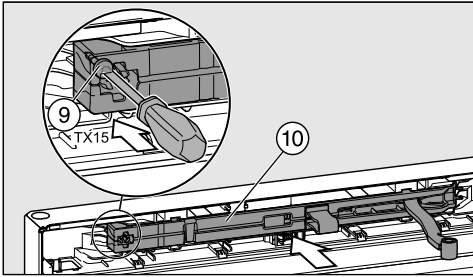
- Undo and remove the screw ⑨ on the soft-close mechanism ⑩ and insert a screwdriver behind the soft-close mechanism.
- Remove soft-close mechanism ⑩.

– Fitting the door opening angle limiter

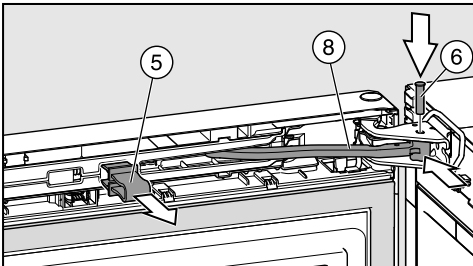


- Press a door opening angle limiter ⑪ in from above and below as shown.

- Fitting the soft-close mechanism

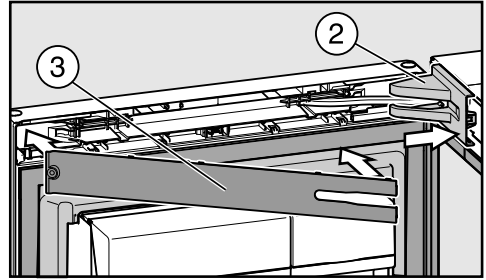


- Insert the soft-close mechanism (10) on the door hinge side (at an angle initially) so that it clicks into position.
- Then press the other end of the soft-close mechanism into the opening.
- Secure the soft-close mechanism with the screw (9).

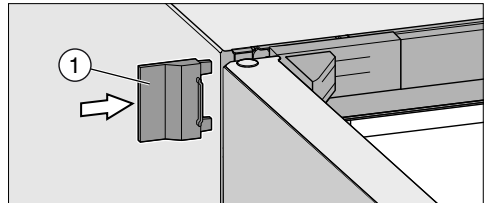


- Push the hinged arm (8) into the opening on the door hinge.
- Insert the pin (6) into the door hinge from above. Turn this with a screwdriver (by approx. 1/4 turn) until both lugs on the pin click into position correctly in the grooves.
- Pull out the red safety device (5).

Tip: Keep the red safety device in case you want to change the door hinging again at a later date.



- Fit the cover (2) on the door hinge.
- Fit the panel (3) so that it clicks into position.



- Push on the outer cover (1).
- Close the appliance door.

Installation

Installation

⚠ Two people are required for installing the appliance.

⚠ The appliance must be empty when it is installed.

⚠ Move the appliance carefully on floors that are sensitive to scratching to prevent damage.

For easier installation there are transport handles on the back at the top and transport wheels underneath the appliance.

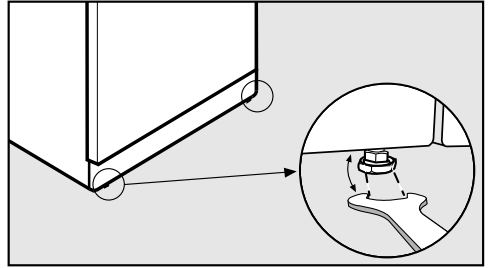
- Prepare the appliance for installation as close as possible to its intended installation location.
- Connect the appliance to the electricity supply as described in “Electrical connection”.
- Move the appliance carefully to its intended installation location.
- Position the appliance with the wall spacers (if used) or the back close to the wall.

⚠ Risk of damage to the appliance door.

The appliance doors could hit the wall of the room resulting in damage to the doors.

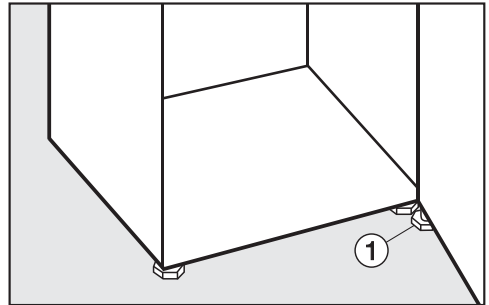
Protect the glass doors by fitting a felt stopper, for example, to the wall of the room.

Aligning the appliance



- To align the appliance, adjust the front feet using the spanner supplied

Levelling the appliance door



- **Ensure** that you unscrew the adjustable foot ① from the lower hinge plate with the enclosed spanner until it sits on the floor. Then unscrew the foot by a further ¼ turn.

Installing the appliance in a run of kitchen units

⚠ Risk of fire and damage due to insufficient ventilation.

If the refrigeration appliance is not ventilated sufficiently, the compressor will run more frequently and for longer periods. This will result in increased energy consumption and a higher operating temperature for the compressor. This may, in turn, cause damage to the compressor.

Please ensure that there is adequate ventilation around the refrigeration appliance.

It is essential to observe the ventilation gaps given.

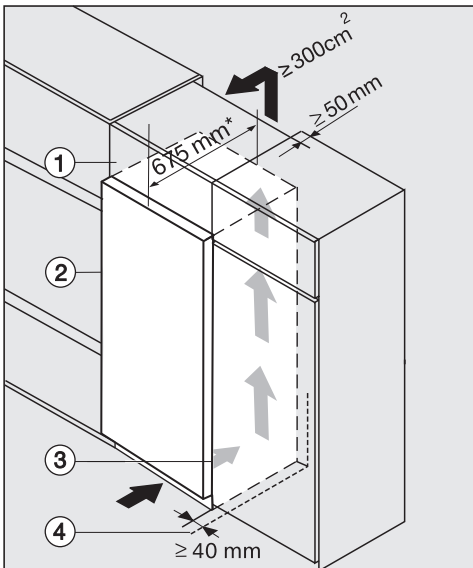
* The appliance depth is increased by approx. 15 mm for appliances with wall spacers fitted.

The appliance can be built into any run of kitchen units and installed directly next to a kitchen furniture housing unit. The appliance front must protrude in front of furniture fronts by at least 65 mm. This enables the doors to be opened and shut without being obstructed. To match the height of the rest of the kitchen, the refrigeration appliance can be fitted with a suitable top box ①.

When installed next to a wall ④, a distance of at least 40 mm must be maintained on the hinge side between the wall ④ and the refrigeration appliance ②.

The larger the ventilation gap, the more economically the compressor will work.

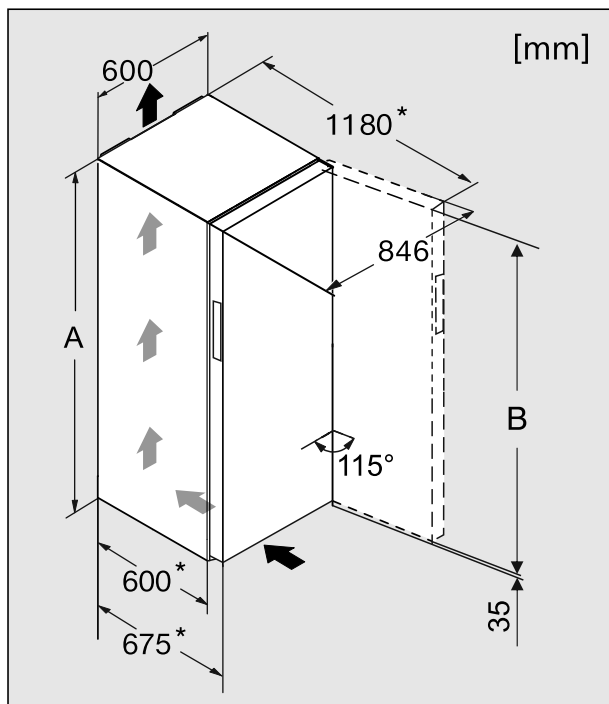
- A ventilation gap with a depth of at least 50 mm must be provided at the back of the refrigeration appliance across the whole width of the top box to allow for venting.
- The ventilation gap under the ceiling must be at least 300 cm^2 to ensure that warm air can escape without obstruction.



- ① Top box
- ② Refrigeration appliance
- ③ Kitchen furniture housing unit
- ④ Wall

Installation

Appliance dimensions




* Dimensions without wall spacers fitted. Appliance depth is increased by 15 mm with the wall spacers supplied fitted.

	A [mm]	B [mm]
KS 28423 D ed/cs	1850	1815

Changing the door hinging

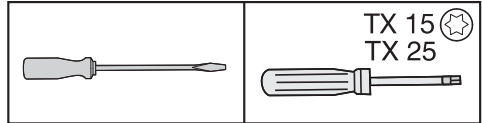
The refrigeration appliance is supplied with hinges on the right. If left-hand hinging is required, the hinges must be changed.

 Always change the door hinging with the assistance of another person.

If the door seal is damaged or has slipped out of its groove, the door will not close properly and cooling performance will be reduced. Condensate will build up in the interior and this can cause a build-up of ice. Do not damage the door seal and ensure it does not slip out of its groove.

Preparing to change the door hinging

To change the door hinging, you will need the following tools:

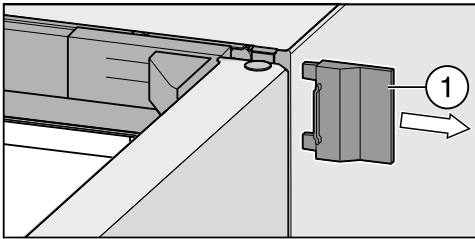


- Place a suitable cover on the floor in front of the appliance to protect the appliance door and your floor from damage.
- Remove the shelves/bottle shelf from the appliance door.

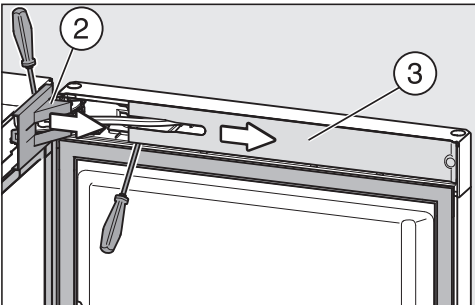
Installation

Remove the top covers

- Open the appliance door.

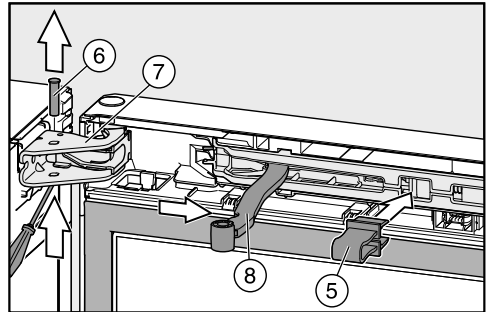


- Push off right outer cover ①.



- Remove cover ② from the door hinge and cover ③ from the soft-close mechanism.

Removing the soft-close mechanism

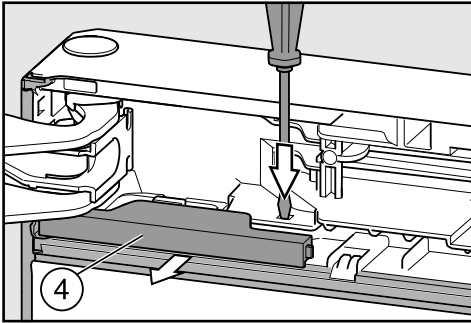


- Click the red safety device ⑤ (supplied with the refrigeration appliance) into place in the opening.

The safety device prevents the soft-close mechanism and the hinge plate from snapping shut.

Do not remove the red safety device until instructed to do so.

- Push the pin ⑥ out of the door hinge ⑦ and remove it.
- Move the hinged arm ⑧ of the soft-close mechanism away from the door hinge.



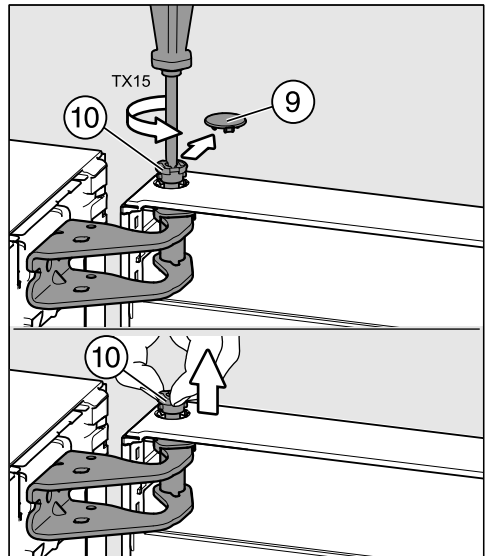
- Use a flat-head screwdriver to push the tab down and pull the cover ④ out of the coupling.

Remove the door

⚠ Danger of injury when removing the appliance door.

The door is not secure as soon as the pin has been removed from the door hinge.

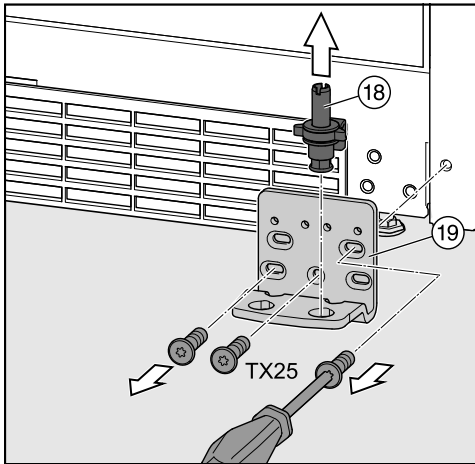
The door must be held by a second person.



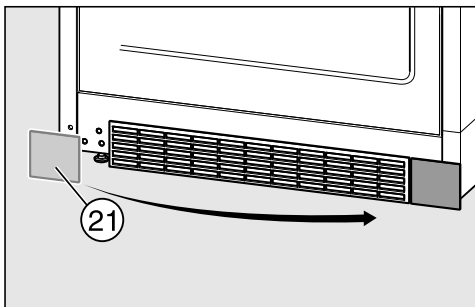
- Carefully pull off safety cover ⑨.
- Loosen pin ⑩ slightly (approx. $\frac{1}{4}$ turn) until it clicks.
- Now use your fingers to pull pin ⑩ right out.
- Lift the door off and place it carefully to one side.

Installation

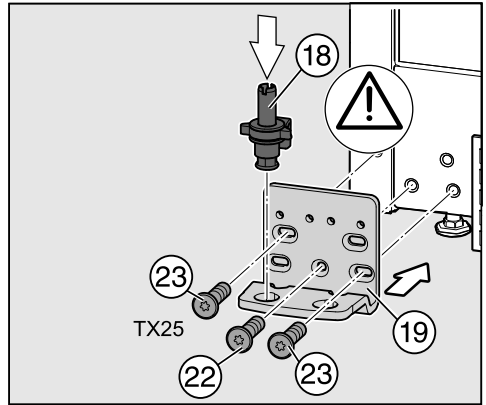
Change the lower hinge plate over



- Pull hinge pin ⑱ complete with washer and adjusting foot upwards to remove.
- Unscrew hinge plate ⑲.



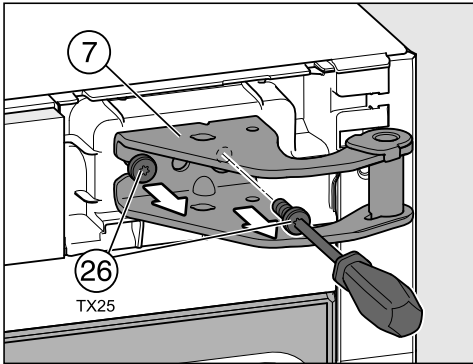
- Remove cover ⑳ and refit on the opposite side.



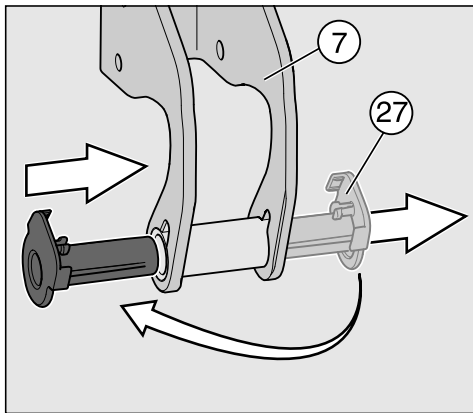
- Secure hinge plate ⑲ on the opposite side, starting with screw ㉒ in the middle at the bottom.
- Then screw in the other two screws ㉓.
- Reinsert hinge pin ⑱ complete with washer and adjustable foot .

Important! The lug on the hinge pin must point to the back again.

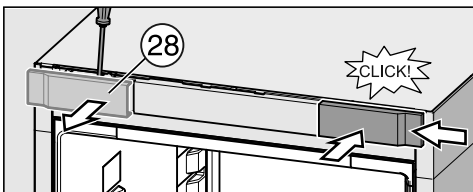
Changing the upper door hinge over



- Undo and remove screw 26 on door hinge 7.

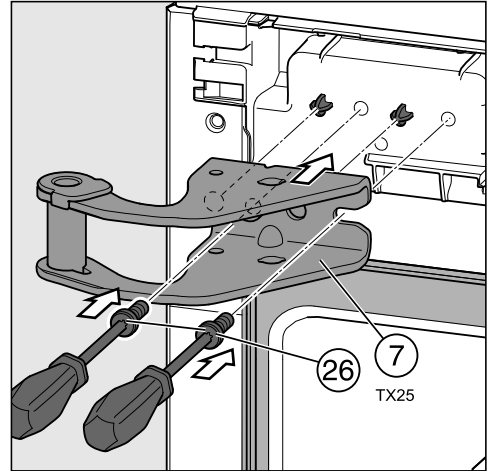


- Pull bearing bush 27 out of the guide on door hinge 7 and refit it on the opposite side.



- Push cover 28 off to the side.

- Turn the cover through 180° and refit it on the opposite side. Push on the cover from the side and click it into position.



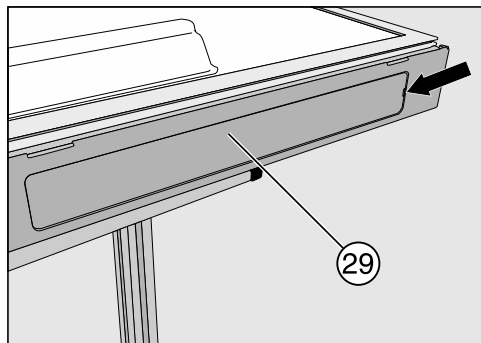
- Fit upper door hinge 7 onto the pins on the appliance.
- Secure door hinge 7 with screws 26.

Installation

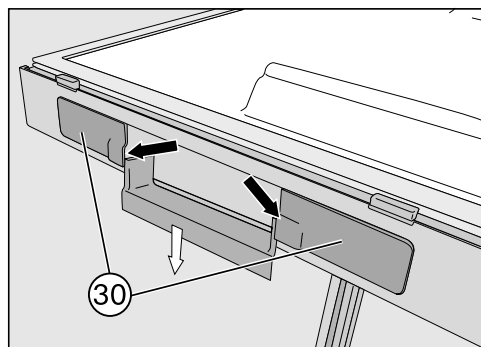
Prepare the upper door

Tip: Spread a suitable cover over a stable surface to protect the appliance door from damage. Place the door on it with the outside facing down.

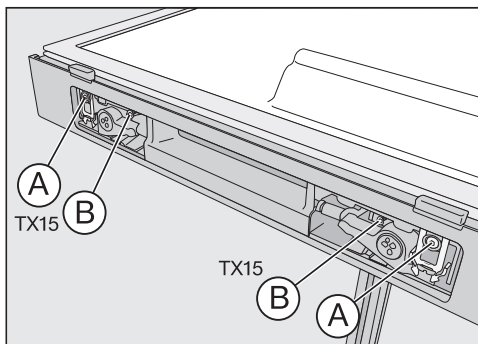
Change the door opening aid over



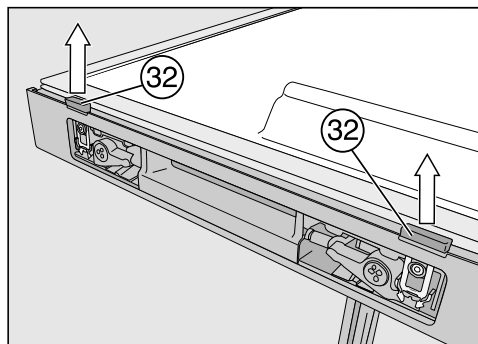
- Remove cover 29 from the opening for the recessed handle.



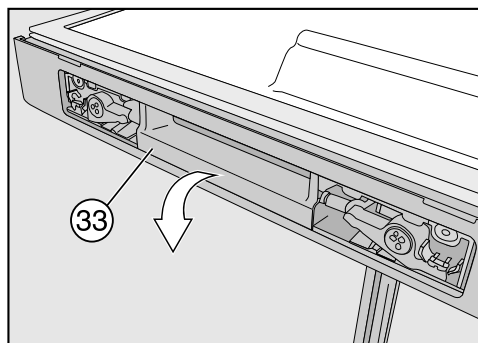
- Remove the covers 30 on the right and left of the recessed handle.



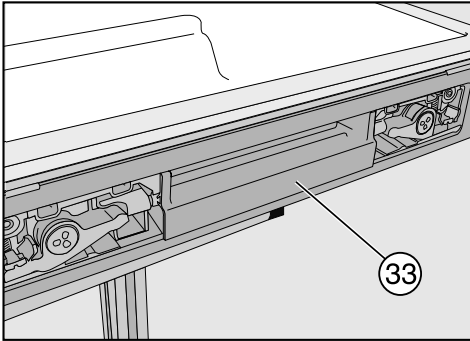
- Fully unscrew the screw with the grey plastic collar A and the screw without the collar B.



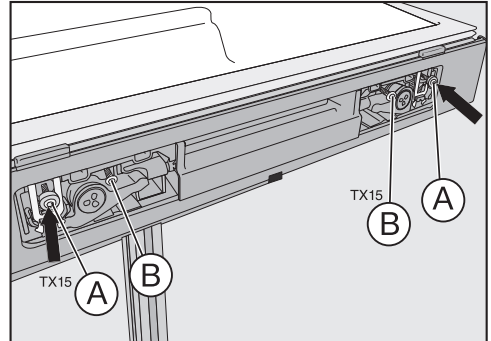
- Pull the door opening sliders 32 firmly upwards to remove them.



- Remove the door opening aid 33.



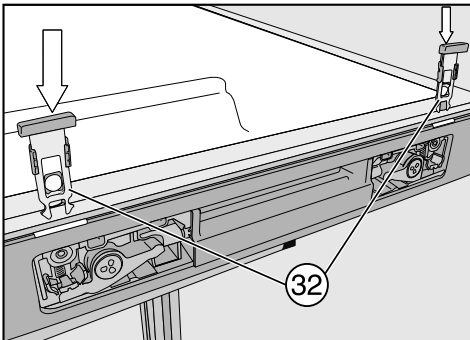
- Refit door opening aid ③③ on the opposite side.



- Secure the door opening aid using the screw with the plastic collar ① and the screw without a plastic collar ②. Do not overtighten the screws!

Tip: Check whether the door opening aid moves easily by pressing it. If it does not move freely, the screws should be loosened slightly.

- Fit covers ②⑨ and ③①.



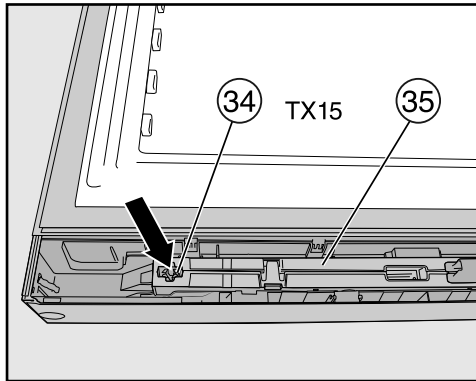
- Push door opening slider ③② through the slots until it clicks into position.

The flush side of the door opening slider must face the door seal. The plastic lug on the slider must not abut the door seal but must point towards the outer edge of the door.

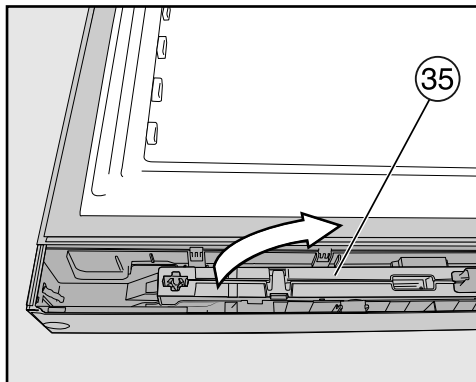
Installation

Change the soft-close mechanism over

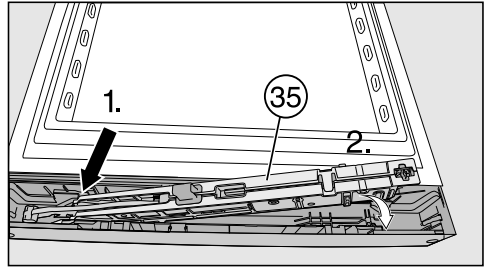
If you want to limit the door opening angle to approx. 90° you need to fit the door opening angle limiter supplied before refitting the soft-close mechanism (see “Door opening angle limiter”).



- Undo and remove screw (34) on soft-close mechanism (35) and insert a screwdriver behind the soft-close mechanism.

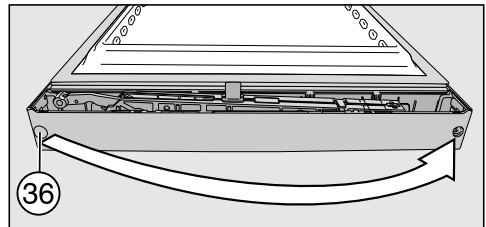


- Remove soft-close mechanism (35) and turn it through 180°.



- Insert soft-close mechanism (35) on the door hinge side (at an angle initially) so that it clicks into position.
- Then press the other end of the soft-close mechanism into the opening.
- Secure the soft-close mechanism with screw (34).

Changing over the bearing bush stopper

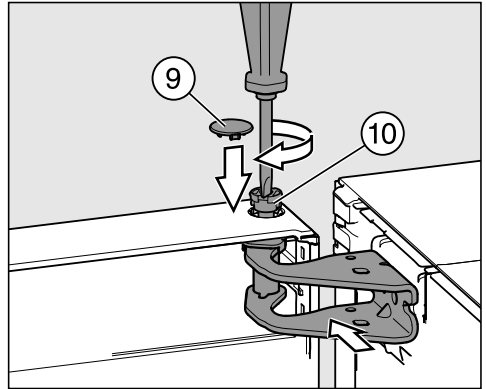


- Pull the stopper out of door bearing bush (36) and replace it on the opposite side.

Refit the door



- Place the door ③⑧ onto hinge pin ①⑤ from above and guide the upper opening on the hinge side of the door onto the door hinge with the bearing bush.



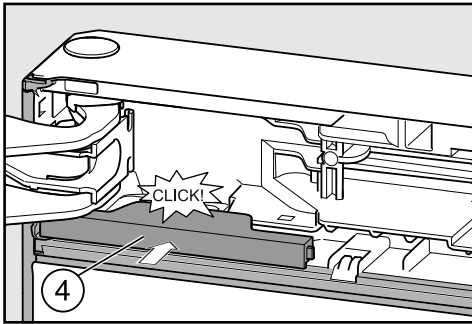
- Use your fingers to insert pin ⑩ into the door bearing bush.
- Screw in pin ⑩ (by approx. ¼ turn) until it clicks into position.
- Fit safety cover ⑨ on to the pin.

The appliance door is not secure until safety cover ⑨ has been correctly fitted.

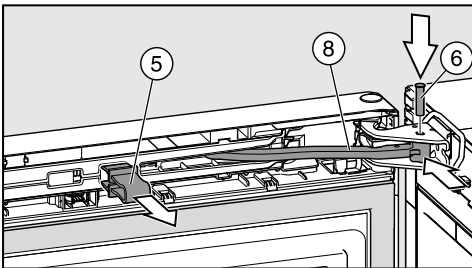
Installation

Secure the soft-close mechanism

- Open the door 90°.



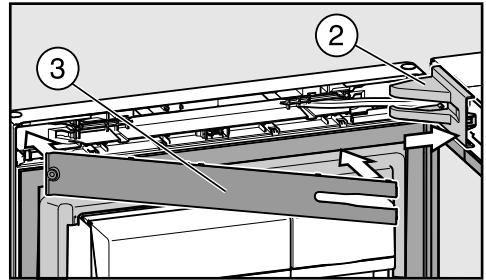
- Push on cover ④ until it clicks into position.



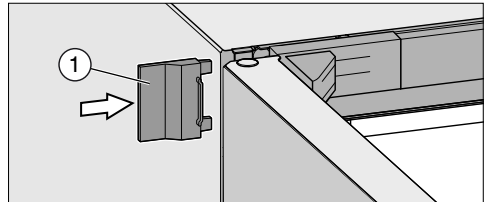
- Push hinged arm ⑧ into the opening on the door hinge.
- Insert pin ⑥ into the door hinge from above. Turn this with a screwdriver (by approx. ¼ turn) until both lugs on the pin click into position correctly in the grooves.
- Pull out red safety aid ⑤.

Tip: Keep the red safety aid in case you want to change over the door hinging again at a later date.

Fit the upper covers



- Fit cover ② on the door hinge.
- Fit panel ③ so that it clicks into position.



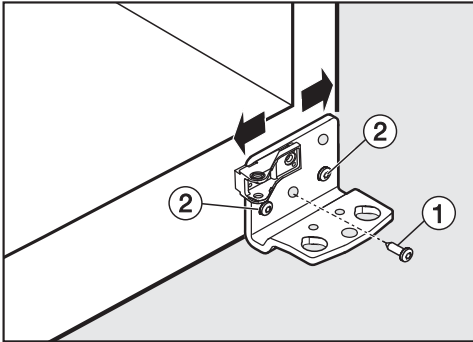
- Push on outer cover ①.
- Close the appliance door.

Aligning the appliance door

The appliance door can be aligned with the appliance housing after it has been fitted.

In the following illustration, the appliance door is not shown in the closed position to make it easier to see what you have to do.

To align the appliance door, use the outer slots in the lower hinge plate:



- Remove the middle screw ① from the hinge plate.
- Slightly loosen both outer screws ②.
- Align the door by sliding the hinge plate to the left or right.
- Then tighten screws ② again. The screw ① does not need to be refitted.



United Kingdom

Miele Co. Ltd.
Fairacres, Marcham Road
Abingdon, Oxon, OX14 1TW
Tel: 0330 160 6600
Internet: www.miele.com

Australia

Miele Australia Pty. Ltd.
ACN 005 635 398
ABN 96 005 635 398
1 Gilbert Park Drive
Knoxfield, VIC 3180
Tel: 1300 464 353
Internet: www.miele.com.au

China

Miele (Shanghai) Trading Ltd.
1-3 Floor, No. 82 Shi Men Yi Road
Jing' an District
200040 Shanghai, PRC
Tel: +86 21 6157 3500
Fax: +86 21 6157 3511
E-mail: info@miele.cn
Internet: www.miele.cn

Miele (Hong Kong) Limited

41/F - 4101, Manhattan Place
23 Wang Tai Road
Kowloon Bay, Hong Kong
Tel: (852) 2610 1025
Fax: (852) 3579 1404
Email:
customerservices@miele.com.hk
Website: www.miele.hk

India

Miele India Pvt. Ltd.
Ground Floor
Copia Corporate Suites
Plot No. 9, Jasola
New Delhi - 110025
Tel: 011-46 900 000
Fax: 011-46 900 001
E-mail: customercare@miele.in
Internet: www.miele.in

Ireland

Miele Ireland Ltd.
2024 Bianconi Avenue
Citywest Business Campus
Dublin 24
Tel: (01) 461 07 10
Fax: (01) 461 07 97
E-Mail: info@miele.ie
Internet: www.miele.ie

Malaysia

Miele Sdn Bhd
Suite 12-2, Level 12
Menara Sapura Kencana
Petroleum
Solaris Dutamas No. 1
Jalan Dutamas 1
50480 Kuala Lumpur, Malaysia
Phone: +603-6209-0288
Fax: +603-6205-3768

New Zealand

Miele New Zealand Limited
IRD 98 463 631
Level 2, 10 College Hill
Freemans Bay, Auckland 1011
New Zealand
Tel: 0800 464 353
Internet: www.miele.co.nz

Singapore

Miele Pte. Ltd.
163 Penang Road
04 - 03 Winsland House II
Singapore 238463
Tel: +65 6735 1191
Fax: +65 6735 1161
E-Mail: info@miele.com.sg
Internet: www.miele.sg

South Africa

Miele (Pty) Ltd
63 Peter Place, Bryanston 2194
P.O. Box 69434, Bryanston 2021
Tel: (011) 875 9000
Fax: (011) 875 9035
E-mail: info@miele.co.za
Internet: www.miele.co.za

Taiwan

K.E. & Kingstone Co., Ltd.
6th Fl., No. 120, Sec. 2
Jianguo N. Rd.
Taipei, Taiwan
TEL: +886 2 2502-7256
FAX: +886 2 2502-3077
E-mail: kenk@kenk.com.tw
Website:
www.kenk.com.tw/ke/miele

Thailand

BHIRAJ TOWER at EmQuartier
43rd Floor Unit 4301-4303
689 Sukhumvit Road
North Klongton Sub-District
Vadhana District
Bangkok 10110, Thailand

United Arab Emirates

Miele Appliances Ltd.
Gold & Diamond Park
Office No. 6-217
Sheikh Zayed Road
P.O. Box 11 47 82 - Dubai
Tel. +971 4 3044 999
Fax. +971 4 3418 852
800-MIELE (64353)
E-Mail: info@miele.ae
Website: www.miele.ae

Manufacturer: Miele & Cie. KG, Carl-Miele-Straße 29, 33332 Gütersloh, Germany

KS 28423 D ed/cs

en-GB

M.-Nr. 10 999 970 / 02