



Microwave Oven

User Manual



BMOB 20202 W - BMOB 20202 B

EN - RO - FR - PL



01M-9207853200-1023-02
01M-9207863200-1023-02

CONTENTS

ENGLISH	03-20
ROMÂNĂ	21-44
FRANÇAIS	45-63
POLSKI	64-84

Please read this manual first!

Dear Customer,

Thank you for selecting a Beko product. We hope that you get the best results from your product which has been manufactured with high quality and state-of-the-art technology. Therefore, please read this entire user manual and all other accompanying documents carefully before using the product and keep it as a reference for future use. If you handover the product to someone else, give the user manual as well. Follow all warnings and information in the user manual.

Remember that this user manual may also apply to other models. Differences between models are explicitly described in the manual.

Meanings of the symbols

Following symbols are used in the various section of this user manual:



Important information and useful hints about usage.



Warnings for dangerous situations concerning the safety of life and property.



Warning for electric shock.



Warning for hot surfaces.

1 Important safety and environmental instructions

Important Safety Instructions Read Carefully And Keep For Future Reference

1.1 Safety warnings

This section contains safety instructions that will help protect from risk of fire, electric shock, exposure to leak microwave energy, personal injury or property damage. Failure to follow these instructions shall void any warranty.

- Beko Microwave Ovens comply with the applicable safety standards; therefore, in case of any damage on the appliance or power cable, it should be repaired or replaced by the dealer, service center or a specialist and authorized service alike to avoid any danger. Faulty or unqualified repair work may be dangerous and cause risk to the user.
- This appliance is intended to be used in household and similar applications such as:
 - Staff kitchen areas in shops, offices and other working environments;
 - Farm houses
 - By clients in hotels, and other residential type environments;
 - Bed and Breakfast type environments.
- This appliance has been designed for domestic use only.
- This oven is intended for built-in use only. It is not intended for counter-top use or for use inside a cabinet.
- It is not intended for industrial or laboratory use.
- Do not attempt to start the oven when its door is open; otherwise you may

1 Important safety and environmental instructions

be exposed to harmful microwave energy. Safety locks should not be disabled or tampered with.

- The microwave oven is intended for heating food and beverages. Drying of food or clothing and heating of warming pads, slippers, sponges, damp cloth and similar may lead to risk of injury, ignition or fire.
- Do not place any object between the front side and the door of the oven. Do not allow dirt or cleaning agent remnants to build up on the closure surfaces.
- Any service works involving removal of the cover that provides protection against exposure to microwave energy must be performed by authorized persons/service. Any other approach is dangerous.
- Your product is intended for cooking, heating and defrost food at home. It must not be used for commercial purposes.
- Your oven is not designed to dry any living being.
- Do not use your appliance to dry clothes or kitchen towels.
- Do not use this appliance outdoors, bathrooms, humid environments or in places where the it can get wet.
- No responsibility or warranty claim shall be assumed for damages arising from misuse or improper handling of the appliance.
- Never attempt to dismantle the appliance. No warranty claims are accepted for damage caused by improper

1 Important safety and environmental instructions

handling.

- Only use the original parts or parts recommended by the manufacturer.
- Do not leave this appliance unattended while it is in use.
- Always use the appliance on a stable, flat, clean dry, and non-slip surface.
- The appliance should not be operated with an external clock timer or separate remote control system.
- Before using the appliance for the first time, clean all parts. Please see the details given in the “Cleaning and Maintenance” section.
- Operate the appliance for its intended purpose only as described in this manual.
- Appliance becomes very hot while it is in use. Pay attention not to touch the hot parts inside the oven.
- Do not operate the oven empty.
- Cooking utensil may get hot due to the heat transferred from the heated food to the utensil. You may need oven gloves to hold the utensil.
- Utensils shall be checked to ensure that they are suitable for use in microwave ovens.
- Do not place the oven on stoves or other heat generating appliances. Otherwise, it may be damaged and the warranty becomes void.
- Steam may come out while opening the covers or the foil after cooking the food.
- The appliance and its accessible surfaces may

1 Important safety and environmental instructions

be very hot when the appliance is in use.

- Door and outer glass may be very hot when the appliance is in use.
- Make sure that your mains power supply complies with the information supplied on the rating plate of the appliance.
- The only way to disconnect the appliance from the power supply is to remove the power plug from the power outlet.
- Use the appliance with a grounded outlet only.
- Never use the appliance if the power cable or the appliance itself is damaged.
- Do not use this appliance with an extension cord.
- Never touch the appliance or its plug with damp or wet hands.
- Place the appliance in a way so that the plug is always accessible.
- Prevent damage to the power cable by not squeezing, bending, or rubbing it on sharp edges. Keep the power cable away from hot surfaces and naked flame.
- Make sure that there is no danger that the power cable could be accidentally pulled or that someone could trip over it when the appliance is in use.
- Unplug the appliance before each cleaning and when the appliance is not in use.
- Do not pull the power cable of the appliance to disconnect it from its power supply and never wrap its power cable around the appliance.
- Do not immerse the appliance, power cable,

1 Important safety and environmental instructions

or power plug in water or any other liquids. Do not hold it under running water.

- When heating food in plastic or paper containers, keep an eye on the oven due to the possibility of ignition.
- Remove the wire strings and/or metal handles of paper or plastic bags before placing bags to the oven.
- If smoke is observed, switch off or unplug the appliance if safe to do so and keep the door closed in order to stifle any flames.
- Do not use microwave oven for storage. Do not leave paper items, cooking material or food inside the oven when it is not being used.
- The contents of feeding bottles and baby food jars should be stirred or shaken and the temperature checked before consumption, in order to avoid burns.
- This appliance is a Group 2 Class B ISM equipment. Group 2 contains all ISM (Industrial, Scientific and Medical) equipment in which radio-frequency energy is intentionally generated and/or used in the form of electromagnetic radiation for the treatment of material, and spark erosion equipment.
- Class B equipment is suitable for use in domestic establishments and establishments directly connected to a low voltage power supply network.
- Do not use cooking oil in the oven. Hot oil may damage the components and materials of the

1 Important safety and environmental instructions

oven, and it may even cause skin burns.

- Pierce food with thick crust such as potatoes, courgettes, apples and chestnuts.
- Appliance must be placed so that the rear side is facing the wall.
- Before moving the appliance, please secure the turntable to prevent damage.
- Eggs in their shell and whole hard-boiled eggs must not be heated in microwave ovens since they may explode, even after microwave heating has ended.

WARNING: If the door or door seals are damaged, the oven must not be operated until it has been repaired by a competent person.

WARNING: It is hazardous for anyone other than

a competent person to carry out any service or repair operation which involves the removal of a cover which gives protection against exposure to microwave energy.

WARNING: Liquids and other foods must not be heated in sealed containers since they are liable to explode.

- The oven should be cleaned regularly and any food deposits removed.
- There should be min 20 cm free space above the top surface of the oven.
- Do not over-cook foods; otherwise, you may cause a fire.
- Do not use chemicals and steam assisted cleaners to clean the appliance.
- Extreme caution is advised when being used near children and per-

1 Important safety and environmental instructions

sons who are restricted in their physical, sensory or mental abilities.

- This appliance can be used by the children who are at the age of 8 or over and by the people who have limited physical, sensory or mental capacity or who do not have knowledge and experience, as long as they are supervised with regard to safe use of the product or they are instructed accordingly or understand the risks of using the product. Children should not play with the appliance. Cleaning and user maintenance shall not be made by children unless they are older than 8 and supervised.
- **Danger of choking!** Keep all the packaging materials away from children.
- Due to excessive heat that arises in grill and combination modes, children should only be allowed to use these modes under supervision of an adult.
- Keep the product and its power cable so that they are inaccessible by children under 8 years old.
- Do not cook food directly on the glass tray. Put the food in / on appropriate kitchen utensils before placing them in the oven.
- Metallic containers for food and beverages are not allowed during microwave cooking. Otherwise, sparking may occur.
- Microwave oven must not be placed in a cabinet that is not in compliance with the installation instructions.
- Microwave oven is intended for built-in use only.

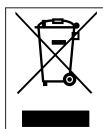
1 Important safety and environmental instructions

- If built-in appliances being used equal or higher than 900 mm above the floor, care should be taken not to displace the turntable when removing containers from the appliance.
- If the built-in product is in a cabinet with a door, the product must be operated with the cabinet door open.
- Failure to maintain the oven in a clean condition could lead to deterioration of the surface that could adversely affect the life of the appliance and possibly result in a hazardous situation.
- The appliance shall not be cleaned with a steam cleaner.

1.2 Compliance with the WEEE Directive and Disposing of the Waste Product:

This product complies with EU WEEE Directive (2012/19/EU). This product

bears a classification symbol for waste electrical and electronic equipment (WEEE).



This symbol indicates that this product shall not be disposed with other household wastes at the end of its service life. Used device must be returned to official collection point for recycling of electrical and electronic devices. To find these collection systems please contact to your local authorities or retailer where the product was purchased. Each household performs important role in recovering and recycling of old appliance. Appropriate disposal of used appliance helps prevent potential negative consequences for the environment and human health.

1.3 Compliance with RoHS Directive

The product you have purchased complies with EU RoHS Directive (2011/65/EU). It does not contain harmful and prohibited materials specified in the Directive.

1.3 Package information



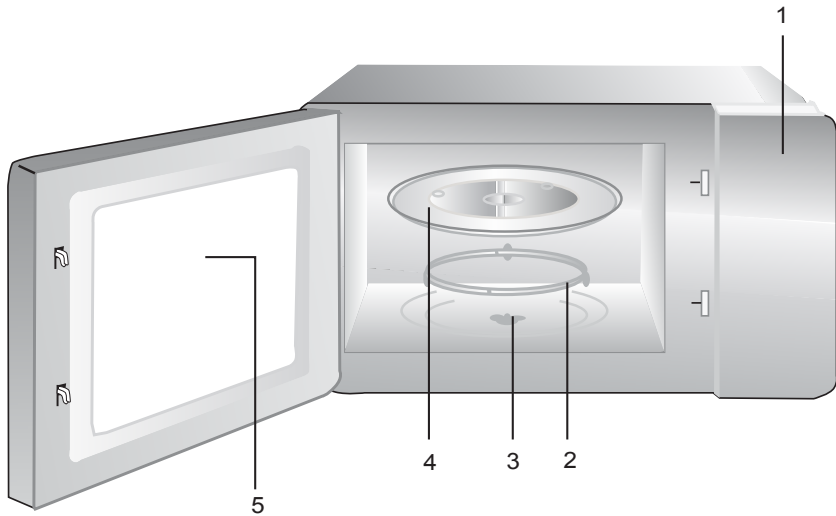
Packaging materials of the product are manufactured from recyclable materials in accordance with our National Environment Regulations. Do not dispose of the packaging materials together with the domestic or other wastes. Take them to the packaging material collection points designated by the local authorities.

1.4 What to do for energy saving

Turn off and unplug the appliance after use.

2 Your microwave oven

2.1 Overview



Controls and parts

1. Control panel
2. Turntable shaft
3. Turntable ring assembly
4. Glass tray
5. Oven window

External dimensions	595*344*388 mm	
Oven capacity	20 Litre	
Net weight	15.1 kg	
Color	Black	White

2.2 Technical data

Model	BMOB 20202 B	BMOB 20202 W
Rated voltage	230V~50 Hz	
Rated input (Microwave)	1250 W	
Rated output (Microwave)	800 W	
Microwave frequency	2450 MHz	
Turntable diameter	245 mm	

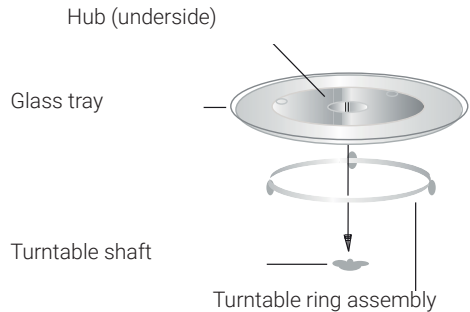
Technical and design modification rights are reserved.

Markings on the product or the values stated in other documents supplied with the product are values obtained under laboratory conditions as per relevant standards. These values may vary according to the usage of the appliance and ambient conditions. Power values are tested at 230V.

2 Your microwave oven

2.3 Turntable installation

- Never place the glass tray upside down. The glass tray should never be restricted.
- Both glass tray and turntable support must always be used during cooking.
- All food and containers of food must always place on the glass tray for cooking.
- If glass tray or turntable support crack or break, contact your nearest authorized service center.



3 Installation and connection

3.1 Installation and connection

- Remove all packing material and accessories. Examine the oven for any damage such as dents or broken door. Do not install if oven is damaged.
- Remove any protective film found on the microwave oven cabinet surface.
- Do not remove the light brown Mica cover that is attached to the oven cavity to protect the magnetron.
- Please observe the special installation instructions.
- The appliance can be installed in a 60 cm wide wall-mounted cabinet (at least 55 cm deep and 85 cm off the floor).
- The appliance is fitted with a plug and must only be connected to a properly installed grounded socket.
- The mains voltage must correspond to the voltage specified on the rating plate.
- If the plug is no longer accessible after installation, an all-pole isolating switch must be present on the installation side with a contact gap of at least 3 mm.
- Adapters, multi-way sockets and ex-

tension cords must not be used. Overloading can result with a risk of fire.



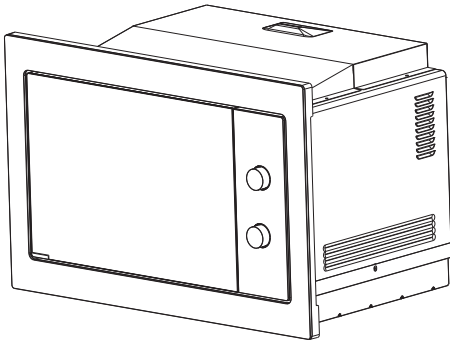
The accessible surface may be hot during operation.







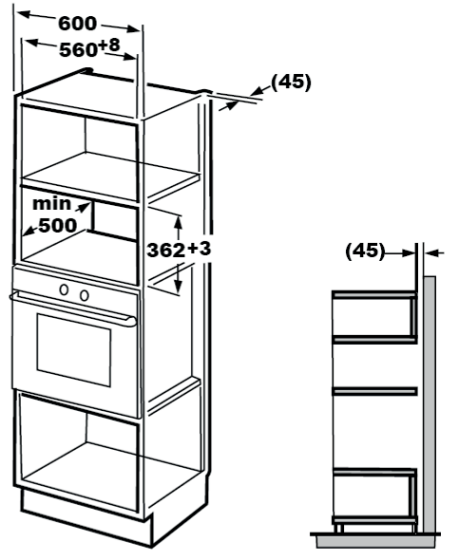
Do not trap or bend the power cable.

3 Installation and connection

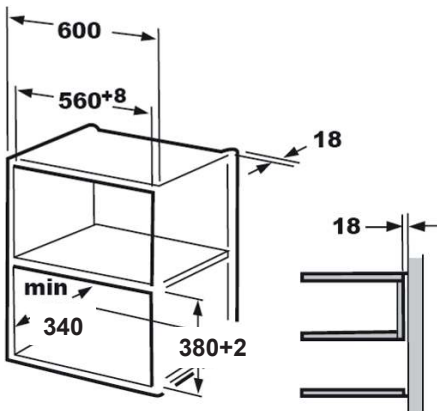
3.2 Built-in installation parts



-  Screw A
-  Mounting Plate
-  Screw B
-  Trim-kit plastic cover



3.3 Built-in furniture

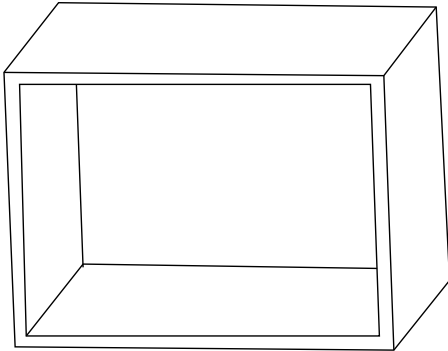


The bracket and bottom cabinet template are needed when installing in both installations.

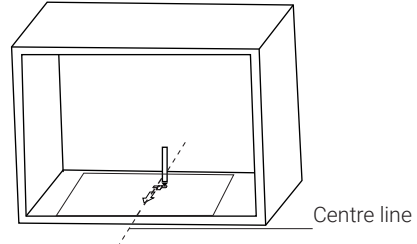
3 Installation and connection

3.4 Prepare the cabinet

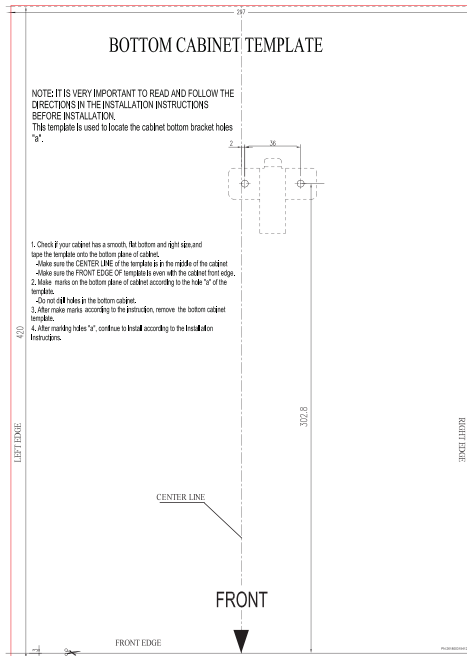
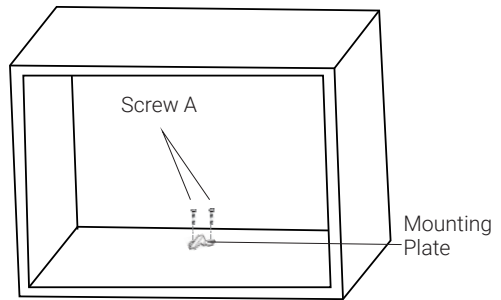
1. Read the instruction on the bottom cabinet template, put the template on the bottom plane of cabinet.



2. Make the marks on the bottom plane of cabinet according to marks "a" of the template.



3. Remove the bottom cabinet template and fix the mounting plate with screw A.



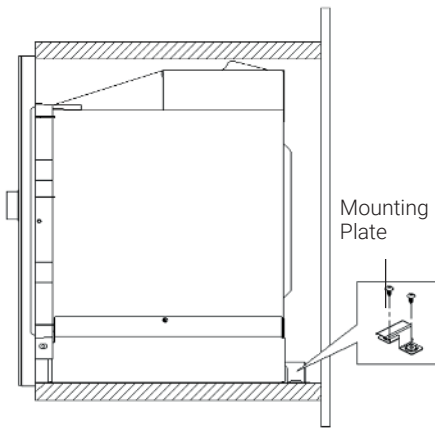
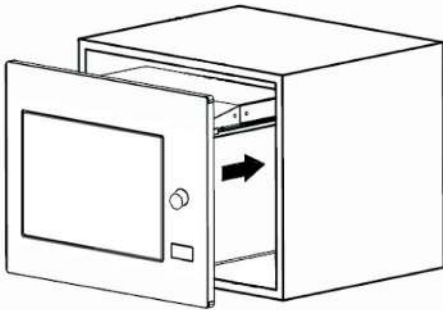
3.5 Install the oven

1. Install the oven to the cabinet.

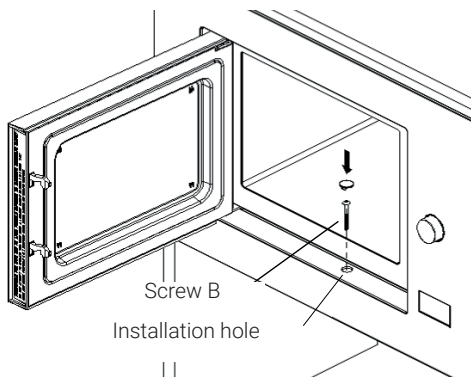
 **WARNING:** Make sure the back of the oven is locked by mounting plate.

 **WARNING:** Do not trap or kink the power cord.

3 Installation and connection

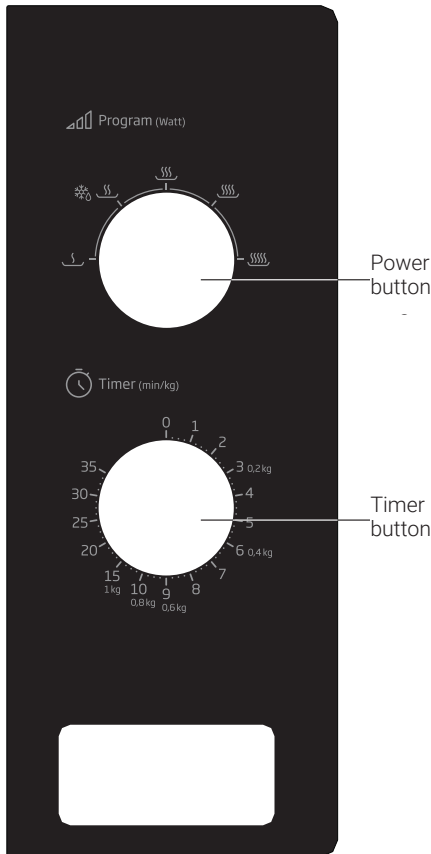


2. Open the door, fix the oven to the cabinet with Screw B, at the installation hole. Then fix the Trim-kit plastic cover to the installation hole.



4 Operation

4.1 Control panel



5. If the unit is not in use, always set time to "0".

Function/Power	Output	Application
	17% micro.	Soften ice cream
	33% micro.	Soup stew, soften butter or defrost
	55% micro.	Stew, fish
	77% micro.	Rice, fish, chicken, ground meat
	100% micro.	Reheat, milk, boil water, vegetables, beverage



When removing food from the oven, please ensure that the oven power is switched off by turning the timer switch to 0 (zero). Failure to do so, and operating the microwave oven without food in it, can result in overheating and damage to the magnetron.

4.2 Usage

1. To set cooking power by turning the power knob to desired level.
2. To set the time of cooking by turning the timer knob to desired time per your food cooking guide.
3. The microwave oven will automatically start cooking after power level and time are set.
4. After the cooking time is up, the unit will "Dong" to stop.

5 Cleaning and maintenance

5.1 Cleaning and care



WARNING: Never use gasoline, solvent, abrasive cleaning agents, do not use harsh abrasive cleaners or sharp metal scrapers to clean the oven door glass since they can scratch the surface, which may result in shattering of the glass.



WARNING: Never immerse the appliance or its power cable in water or in any other liquid.

1. Turn off the oven and remove the power plug from the wall socket before cleaning.
2. Wait for the appliance to completely cool down.
3. Keep the inside of the oven clean. When food splatters or spilled liquids adhere to oven walls, wipe with a damp cloth. Mild detergent may be used if the oven gets very dirty. Avoid the use of spray and other harsh cleaners as they may stain, streak or dull the door surface.
4. The outside surfaces should be cleaned with a damp cloth. To prevent damage to the operating parts inside the oven, water should not be allowed to seep into the ventilation openings.
5. Wipe the both sides of the door and window, the door seals and adjacent parts frequently with a damp cloth to remove any spills or splatters. Do not use abrasive cleaner.
6. A steam cleaner is not be used.
7. Do not allow the control panel to become wet. Clean with a soft, damp cloth. When cleaning the control panel, leave oven door open to prevent oven from accidentally turning on.
8. If steam accumulates inside or around the outside of the oven door, wipe with a soft cloth. This may occur when the microwave oven is operated under high humidity condition. And it is normal.
9. It is occasionally necessary to remove the glass tray for cleaning. Wash the tray in warm sudsy water or in a dishwasher.
10. The roller ring and oven floor should be cleaned regularly to avoid excessive noise. Simply wipe the bottom surface of the oven with mild detergent. The roller ring may be washed in mild sudsy water or dishwasher. When removing the roller ring from cavity floor for cleaning, be sure to replace in the proper position.

5 Cleaning and maintenance

11. Remove odors from your oven by combining a cup of water with the juice and skin of one lemon in a deep microwaveable bowl, microwave for 5 minutes. Wipe thoroughly and dry with a soft cloth.
12. When it becomes necessary to replace the oven light, please consult a dealer to have it replaced.
13. The oven should be cleaned regularly and any food deposits removed. Failure to maintain the oven in a clean condition could lead to deterioration of the surface that could adversely affect the life of the appliance and possibly result in a hazardous situation.
14. Please do not dispose this appliance into the domestic rubbish bin; it should be disposed to the particular disposal center provided by the municipalities.
15. When the microwave oven with grill function is first used, it may produce slight smoke and smell. This is a normal phenomenon because the oven is made of a steel plate coated with lubricating oil, and the new oven will produce fumes and odor generated by burning the lubricating oil. This phenomenon will disappear after a period of using.

5.2 Storage

- If you do not intend to use the appliance for a long time, please store it carefully.
- Please make sure that the appliance is unplugged, cooled down and totally dry.
- Store the appliance in a cool and dry place.
- Keep the appliance out of the reach of children.

5.3 Handling and transportation

- During handling and transportation, carry the appliance in its original packaging. The packaging of the appliance protects it against physical damages.
- Do not place heavy loads on the appliance or the packaging. The appliance may be damaged.
- Dropping the appliance will render it non-operational or cause permanent damage.

6

Troubleshooting

Problem	Possible Reason	Solution
Oven cannot be started.	1) Power cable is not plugged in properly.	Unplug. Then plug again after 10 seconds.
	2) Fuse is blown or circuit breaker is activated.	Replace fuse or reset circuit breaker (repaired by professional personnel of our company).
	3) Trouble with outlet.	Test the outlet with other electrical appliances.
Oven does not heat.	4) Door is not closed properly.	Close the door properly.
If none of the above rectifies the situation, then contact a qualified technician. Do not try to adjust or repair the oven yourself.		

Vă rugăm să citii mai întâi acest manual de utilizare!

Stimate client,

Vă mulțumim pentru că ați ales acest produs Beko. Sperăm să obțineți cele mai bune rezultate de la aparatul dumneavoastră, care a fost fabricat la o calitate înaltă și cu tehnologie performantă. Din acest motiv, vă rugăm să citiți cu atenție și în întregime acest manual de utilizare și toate celelalte documente însoțitoare înainte de a utiliza aparatul și să le păstrați pentru consultări ulterioare. Dacă transmiteți produsul altei persoane, oferiți-i și manualul de utilizare. Urmați instrucțiunile și acordați atenție tuturor informațiilor și avertismentelor din manualul de utilizare.

Nu uitați că acest manual de utilizare poate fi aplicat și altor modele. Diferențele dintre modele sunt descrise în manual în mod explicit.

Semnificaia simbolurilor

Următoarele simboluri sunt utilizate în diverse părți ale acestui manual de utilizare:



Informații importante și sugestii utile cu privire la utilizare.



Avertismente pentru situații periculoase privitoare la siguranța vieții și a proprietății.



Avertisment pentru suprafețe fierbinți.



Avertisment privind electrocutarea.



HĂRTIE RECICLATĂ ȘI
RECICLABILĂ

1 Instrucțiuni importante referitoare la siguranță și mediul înconjurător

Instrucțiuni importante cu privire la siguranță Citii cu atenție și păstrai-le pentru referință viitoare

Această secțiune conține instrucțiuni privind siguranța care vă vor proteja împotriva riscului de incendiu, electrocutării, expunerii la scurgerea energiei microundelor, vătămărilor corporale și pagubelor materiale. Nerespectarea acestor instrucțiuni invalidează garanția furnizată.

1.1 Siguranță generală

- Cuptoarele cu microunde de la Beko sunt conforme standardelor de siguranță aplicabile; din acest motiv, în caz de orice avarii ale produsului sau ale cablului de alimentare, acesta trebuie reparat sau înlocuit de un dealer, un centru de service sau un service specializat sau autorizat similar, pentru evitarea oricărui pericol. Lucrările de reparații greșite sau efectuate de persoane necalificate pot cauza pericole sau riscuri utilizatorului.
- Acest produs este destinat utilizării în scop casnic și aplicațiilor similare cum ar fi:
 - Bucătării pentru personalul din magazine, birouri sau alte medii de lucru;
 - Ferme
 - De către clienți în hoteluri, moteluri sau alte medii de tip rezidențial;
 - Medii de tip pensiune.
- Acest aparat a fost conceput numai pentru uz casnic.
- Acest cuptor este destinat exclusiv utilizării încorporate. Acesta nu este destinat utilizării pe tejghea sau în interiorul

1 Instrucțiuni importante referitoare la siguranță și mediul înconjurător

unui dulap.

- Nu încercați să porniți cuptorul atunci când ușa este deschisă; în caz contrar, puteți fi expus la energia periculoasă a microundelor. Dispozitivele de siguranță nu trebuie dezactivate sau modificate.
- Nu puneți obiecte între partea frontală și ușa cuptorului. Nu permiteți formarea murdăriei sau resturilor agentului de curățare pe suprafețele de închidere.
- Cuptorul cu microunde este destinat doar pentru încălzirea alimentelor și băuturilor. Uscarea alimentelor sau articolelor de îmbrăcăminte și încălzirea pernelor electrice, papucilor, bureților, textilelor umede și a altor articole similare pot genera riscuri de rănire, aprindere sau incendiu.
- Orice lucrări de service, ce implică scoaterea panoului ce asigură protecție împotriva expunerii la energia microundelor, trebuie să fie efectuate de către persoane/service autorizate. Orice altă abordare este periculoasă.
- Produsul dumneavoastră este destinat gătirii, încălzirii și decongelării alimentelor în casă. Nu trebuie utilizat în scopuri comerciale. Producătorul nu va fi răspunzător pentru avariile care survin din utilizarea incorectă.
- Nu utilizați acest produs afară, în baie, în medii umede sau locuri în care se poate uda.
- Nu va fi asumată nicio responsabilitate sau solicitare de garanție pentru

1 Instrucțiuni importante referitoare la siguranță și mediul înconjurător

avariile ce survin în timpul întrebuințării greșite sau a manevrării incorecte a produsului.

- Nu încercați niciodată să demontați produsul. Nu sunt acceptate solicitări de garanție pentru avarii cauzate de manevrarea incorectă a produsului.
- Utilizați doar componente originale sau componente recomandate de producător.
- În timpul utilizării, nu lăsați produsul nesupravegheat.
- Utilizați întotdeauna produsul pe o suprafață stabilă, dreaptă, curată uscată și aderentă.
- Acest produs nu trebuie utilizat cu un ceas exterior sau un sistem separat de control prin telecomandă.
- Înainte de prima utilizare a produsului, curățați toate componentele. Vă rugăm să consultați detaliile prezentate în secțiunea "Curățare și întreținere".
- Utilizați acest produs doar pentru uzul destinat, așa cum este descris în acest manual. Nu utilizați substanțe chimice abrazive sau abur pentru curățarea produsului. Acest cuptor este destinat încălzirii și gătirii alimentelor.
- Nu este destinat uzului industrial sau în laborator.
- Nu utilizați produsul ca să uscați articole de îmbrăcăminte sau prosoape de bucătărie.
- În timpul utilizării, produsul devine foarte fierbinte. Fiți atenți să nu atingeți părțile fierbinți din interiorul cuptorului.
- Cuptorul dumneavoastră nu este destinat uscării

1 Instrucțiuni importante referitoare la siguranță și mediul înconjurător

nici unei viețuitoare.

- Nu utilizați cuptorul fără alimente.
- Folosiți numai ustensile adecvate utilizării în cuptoarele cu microunde.
- Ustensilele de gătire pot deveni fierbinți din cauza căldurii transferate de la alimentele încălzite. Pentru manipularea ustensilelor aveți nevoie de mănuși de bucătărie.
- Ustensilele vor fi verificate pentru a se asigura că sunt adecvate utilizării în cuptoarele cu microunde.
- Nu așezați cuptorul pe plite sau alte produse de generare a căldurii. În caz contrar, acesta poate fi avariat și garanția devine nulă.
- Cuptorul cu microunde nu trebuie să fie așezat într-un dulap care nu corespunde cu instrucțiunile de montaj.
- Aburul poate ieși în momentul deschiderii capacelor sau foliei, după gătitul alimentelor.
- Atunci când scoateți alimente încălzite, utilizați mănuși.
- Atunci când produsul este în folosință, acesta și suprafețele accesibile pot fi foarte fierbinți.
- Atunci când produsul este în folosință, ușa și geamul extern pot deveni foarte fierbinți.
- Dacă cablul de alimentare este avariat, trebuie să fie înlocuit de producător sau agentul său de service sau o persoană cu o calificare similară pentru prevenirea apariției pericolului.
- Asigurați-vă că tensiunea de alimentare corespunde cu informațiile furnizate pe plăcuța cu

1 Instrucțiuni importante referitoare la siguranță și mediul înconjurător

date tehnice a produsului. Singura modalitate de deconectare a aparatului de la priză este scoaterea ștecherului de alimentare din priză.

- Utilizați produsul doar cu o priză cu împământare.
- Nu utilizați aparatul atunci când cablul de alimentare sau aparatul în sine este avariat.
- Nu utilizați acest aparat cu un prelungitor.
- Nu atingeți niciodată aparatul sau priza cu mâinile umede.
- Puneți aparatul într-o poziție în așa fel încât ștecherul să fie întotdeauna accesibil.
- Preveniți avarierea cablului de alimentare prin comprimare, deformare sau frecarea de margini tăioase. Țineți cablul de alimentare departe de

suprafețele fierbinți și flacără deschisă.

- Asigurați-vă că nu există niciun pericol să scoateți cablul de alimentare accidental din priză și că nu se poate împiedica nimeni de el atunci când cuptorul este în folosință.
- Înainte de fiecare curățare și atunci când produsul nu este folosit, scoateți-l din priză.
- Pentru deconectarea aparatului, nu trageți de cablul de alimentare și nu înfășurați niciodată cablul în jurul produsului.
- Nu cufundați aparatul, cablul de alimentare sau ștecherul în apă sau alte lichide. Nu-l țineți sub apă curentă.
- Atunci când încălziți alimente în recipiente de plastic sau hârtie, verificați frecvent cuptorul deoarece există posibili-

1 Instrucțiuni importante referitoare la siguranță și mediul înconjurător

tatea de aprindere.

- Înainte de introducerea în cuptor a pungilor adecvate pentru utilizare în cuptorul cu microunde, scoateți firele de sârmă și/sau mânerle metalice ale pungilor de hârtie sau plastic.
- Dacă observați fum, închideți sau scoateți din priză produsul și țineți ușa închisă pentru a înăbuși orice flacără.
- Nu utilizați interiorul cuptorului pentru depozitare. Atunci când cuptorul nu este în funcțiune, nu lăsați articole din hârtie, materiale de gătit sau alimente în cuptor.
- Înainte de consum și pentru a evita arsurile, conținutul biberoanelor și al borcanelor cu mâncare pentru bebeluși trebuie să fie amestecate și agitate, iar temperatura trebuie să fie verificată.
- Acest produs este un echipament ISM din Grupa 2 clasa B. Grupa 2 cuprinde tot echipamentul ISM (industrial, științific și medical) în care energia radio este generată intenționat și/sau utilizată sub formă de radiație electromagnetică pentru tratamentul materialului și echipamentul de eroziune prin scânteie.
- Echipamentul din clasa B este adecvat utilizării casnice și în locuințe conectate direct la rețeaua de alimentare cu tensiune joasă.
- În momentul utilizării, ușa sau suprafețele exterioare ale produsului pot deveni fierbinți.
- Încălzirea băuturilor la microunde poate cauza fierberea acestora și pot

1 Instrucțiuni importante referitoare la siguranță și mediul înconjurător

- da pe afară la scoaterea din cuptor; aveți grijă cum țineți recipientele.
- Nu prăjiți nimic în cuptor. Uleiul încins poate avaria componentele și materialele cuptorului și poate chiar cauza arsuri ale pielii.
 - Perforați mâncarea cu coajă groasă cum ar fi cartofii, dovleceii, merele și castanele.
 - Aparatul trebuie să fie montat în așa fel încât partea din spate să fie la perete.
 - Înainte de mutarea produsului, asigurați discul turnant pentru a preveni avarierea acestuia.
 - Ouăle în coajă și ouăle fierte tari nu trebuie încălzite în cuptoarele cu microunde deoarece pot exploda, chiar după ce încălzirea cu microunde s-a încheiat.
 - Nu scoateți componentele din partea posterioară și partea laterală a produsului ce protejează distanțele minime dintre pereții cuptorului și aparat, pentru a permite circulația necesară a aerului.
 - Nemenținerea în stare curată a cuptorului poate duce la deteriorarea suprafeței acestuia, ceea ce poate afecta în mod negativ viața produsului sau chiar genera situații periculoase.
 - Curățarea chederelor ușii și a componentelor adiacente: Utilizați apă fierbinte cu săpun. Curățați cu o cârpă pentru vase, nu frecați. Nu utilizați o racletă din metal sau sticlă pentru curățare.

AVERTISMENT: Dacă ușa sau chederele ușii sunt avariate, cuptorul nu tre-

1 Instrucțiuni importante referitoare la siguranță și mediul înconjurător

buie utilizat până când acesta nu este reparat de o persoană calificată.

AVERTISMENT: Este periculos ca operațiunile de service sau reparații care implică scoaterea capacului care protejează împotriva expunerii la energia microundelor să fie efectuate de altcineva decât persoana calificată.

AVERTISMENT: Lichidele și alte alimente nu trebuie încălzite în recipiente etanșe deoarece pot exploda.

- Cuptorul trebuie să fie curățat regulat și depozitele de mâncare trebuie eliminate.
- Deasupra suprafeței superioare a cuptorului trebuie să existe o distanță liberă de minim 30 cm.
- Nu utilizați aparatul pentru nimic altceva decât destinația de utilizare.

- Nu utilizați aparatul ca sursă de căldură.
- Cuptorul cu microunde este destinat doar pentru decongelarea, gătitul și încălzirea preparatelor.
- Nu gătiți excesiv produsele; în caz contrar puteți cauza un incendiu.
- Nu utilizați aspiratoare pe bază de abur pentru curățarea produsului.
- Atunci când cuptorul este utilizat lângă copii și persoane care prezintă abilități fizice, senzoriale sau mentale limitate, se recomandă atenție extremă.
- Acest produs poate fi utilizat de copii de la 8 ani în sus și de persoane cu capacitate fizică, senzorială sau mentală limitată sau care nu au cunoștințe și experiență, atât timp cât sunt supravegheați pentru utilizarea în siguranță

1 Instrucțiuni importante referitoare la siguranță și mediul înconjurător

a produsului sau sunt instruiți corespunzător sau înțeleg riscurile de utilizare a produsului. Copiii nu trebuie să se joace cu produsul. Curățarea și întreținerea nu vor fi efectuate de către copii, cu excepția situațiilor în care aceștia au vârste mai mari de 8 ani și sunt supravegheați de adulți.

- **Pericol de sufocare!** Mențineți materialele de ambalare departe de copii.
- Permiteți copiilor să utilizeze cuptorul fără supraveghere numai atunci când aceștia au fost instruiți corespunzător cu privire la utilizarea în siguranță a cuptorului cu microunde și înțelegerea pericolelor de utilizare necorespunzătoare.
- Din cauza căldurii excesive emise în modul de grătar și de combinare,

aceste moduri pot fi folosite de copii doar cu supravegherea unui adult.

- Țineți produsul și cablul său de alimentare departe de copiii cu vârsta sub 8 ani.
- Atunci când produsul este în folosință, acesta și suprafețele accesibile pot fi foarte fierbinți. Țineți copiii departe de cuptor.
- Acest aparat nu este destinat utilizării de către persoane (inclusiv copii) cu capacități fizice, senzoriale sau mentale reduse, ori fără experiență și cunoștințe, cu excepția cazului în care sunt supravegheate sau instruite cu privire la utilizarea aparatului de către o persoană responsabilă pentru siguranța lor.
- Copiii trebuie supravegheați pentru a nu se juca cu aparatul.

1 Instrucțiuni importante referitoare la siguranță și mediul înconjurător

- **AVERTISMENT:** Permiteți copiilor să utilizeze cuptorul fără supraveghere numai atunci când aceștia au fost instruiți corespunzător cu privire la utilizarea în siguranță a cuptorului cu microunde și înțelegerea pericolelor de utilizare necorespunzătoare.

- Nerespectarea păstrării cuptorului în stare curată poate duce la deteriorarea suprafeței, care ar putea afecta funcționarea aparatului și ar putea duce la o situație periculoasă.

- Aparatul nu trebuie curățat cu un aparat de curățare cu abur.

1.2 Conformitate cu Directiva WEEE și depozitarea la deșeurile a produsului uzat:

Acest produs respectă Directiva UE WEEE (2012/19/UE). Produsul este marcat cu un simbol de clasificare pentru deșeurile electrice și electronice (WEEE).



Acest simbol indică faptul că produsul nu trebuie eliminat cu alte deșeurile menajere la finalul perioadei de utilizare. Dispozitivele utilizate trebuie returnate la punctul special de reciclare de dispozitive electrice și electronice. Pentru a găsi aceste sisteme de colectare contactați autoritățile locale sau distribuitorul de la care a fost achiziționat produsul. Fiecare gospodărie are un rol important în recuperarea și reciclarea electrocasnicelor vechi. Eliminarea corespunzătoare a electrocasnicelor utilizate ajută la prevenirea posibilelor consecințe negative pentru mediu și sănătatea umană.

1.3 Conformitate cu Directiva RoHS:

Produsul pe care l-ați achiziționat respectă Directiva UE RoHS (2011/65/UE). Nu conține materiale dăunătoare și interzise specificate în Directivă.

1.4 Informații despre ambalaj



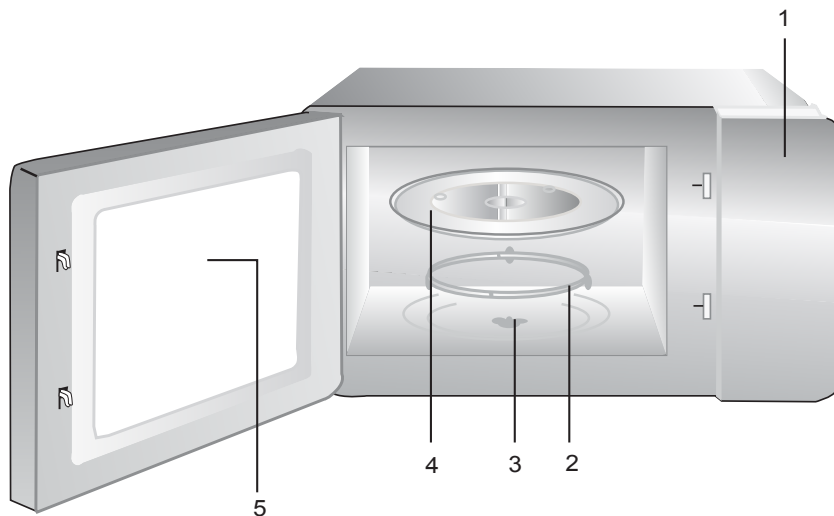
Ambalajul produsului este fabricat din materiale reciclabile conform Legislației Naționale. Ambalajele nu trebuie aruncate împreună cu gunoiul menajer sau alt tip. Duceți-le la punctele de colectare destinate ambalajelor amenajate de către autoritățile locale.

1.5 Modalități de reducere a consumului de energie electrică

Oprii și deconectați aparatul după fiecare utilizare.

2 Cuptorul cu microunde

2.1 Caracteristici generale



Comenzi și componente

1. Panou de comandă
2. Suport platan
3. Platan
4. Tavă de sticlă
5. Fereastra cuptorului

Capacitatea cuptorului	20 Litre	
Greutatea netă	15.1 kg	
Culoare	Negru	Alb

Drepturile pentru efectuarea modificărilor tehnice și de design sunt rezervate.

2.2 Date tehnice

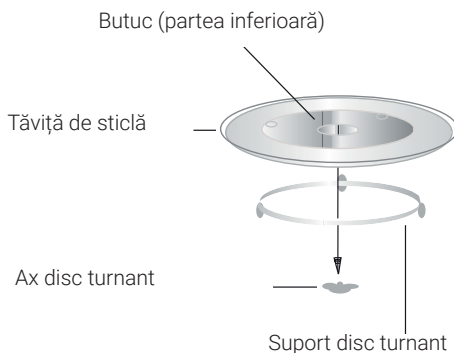
Model	BMOB 20202 B	BMOB 20202 W
Tensiune nominală	230 V~50 Hz	
Intrare nominală (Microunde)	1250 W	
Ieșire nominală (Microunde)	800 W	
Frecvență de operare	2450 MHz	
Diametrul plăcii rotative	245 mm	
Dimensiuni externe	595*344*388 mm	

Marcajele de pe produs sau valorile indicate în alte documente furnizate împreună cu produsul sunt valorile obținute în condiții de laborator, conform standardelor în vigoare. Aceste valori pot varia în funcție de modul de utilizare a aparatului și condițiile ambientale. Valorile puterii electrice sunt testate la 230V.

2 Cuptorul cu microunde

2.3 Montarea discului turnant

- Nu puneți niciodată tăvița de sticlă cu fața în jos. Tăvița de sticlă trebuie să fie folosită întotdeauna.
- În timpul gătirii, atât tăvița din sticlă, cât și discul turnant trebuie să fie utilizate.
- Pentru gătire, toate alimentele și recipientele alimentelor trebuie întotdeauna să fie așezate pe tăvița de sticlă.
- Dacă tăvița de sticlă sau discul turnant se crapă sau se sparge, contactați cel mai apropiat centru de service autorizat.



3 Instalare și conectare

3.1 Instalarea și conectarea

- Scoateți toate materialele de ambalare și accesoriile. Examinați cuptorul pentru a vedea dacă prezintă orice fel de avarii, cum ar fi urme de lovitură sau ușă crăpată. Dacă cuptorul este avariât, nu-l montați.
- Scoateți orice peliculă de protecție găsită pe suprafața cuptorului cu microunde.
- Pentru protejarea magnetronului, nu scoateți protecția de mica de culoare maro deschis care este atașată de cavitatea cuptorului.
- Vă rugăm să respectați instrucțiunile speciale de instalare.
- Aparatul poate fi instalat într-un dulap montat pe perete cu lățimea de 60 cm (cel puțin 55 cm adâncime și 85 cm de la podea).
- Aparatul este prevăzut cu un conector și trebuie conectat numai la o priză de împământare instalată corect.

- Tensiunea prizei trebuie să corespundă cu tensiunea indicată pe plăcuța cu caracteristicile tehnice.
- Dacă ștecherul nu mai este accesibil după instalare, pe partea de instalare trebuie să existe un întrerupător de izolare cu decalaj de contact de cel puțin 3 mm.
- Nu trebuie utilizate adaptoare, prize multiple și cabluri prelungitoare. Supraîncărcarea poate conduce la un risc de incendiu.



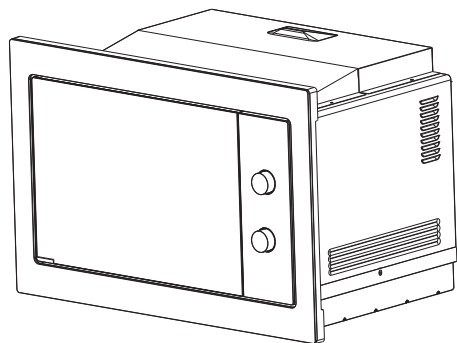
În timpul utilizării, suprafața accesibilă poate fi fierbinte.



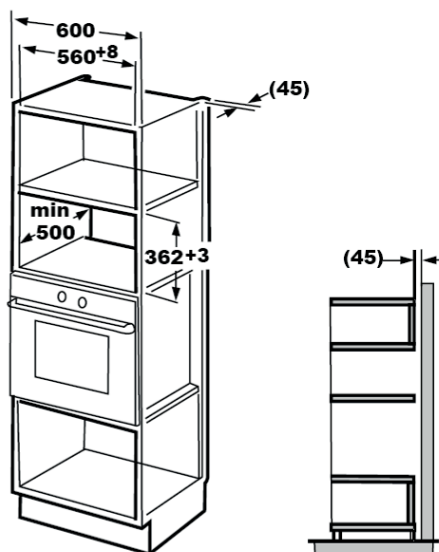
Nu blocați și nu îndoiiți cablul de alimentare.

3 Instalare și conectare

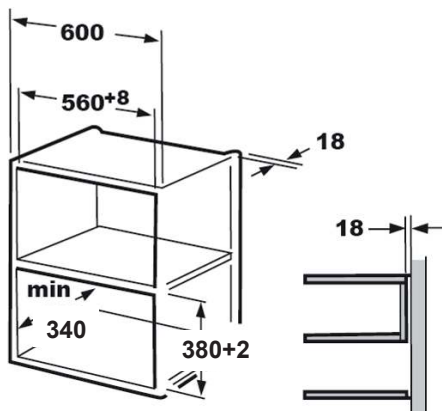
3.2 Piese de instalare încorporate



-  Șurub A
-  Placa de montare
-  Șurub B
-  Capac de plastic pentru setul de garnituri



3.3 Mobilier încorporat

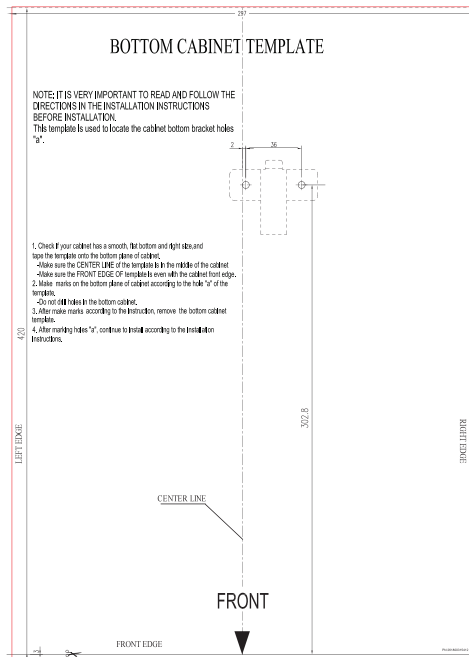
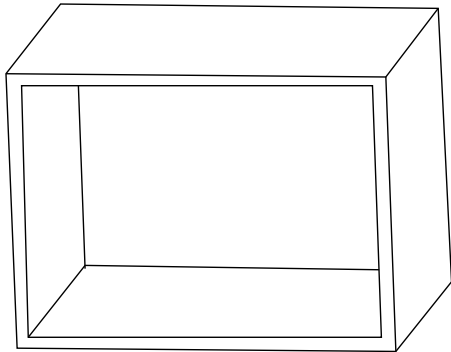


Suportul și șablonul pentru dulapul de jos sunt necesare atunci când se instalează în ambele instalații.

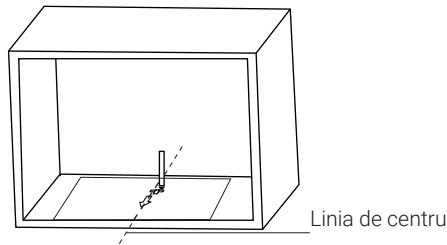
3 Instalare și conectare

3.4 Pregătirea dulapului

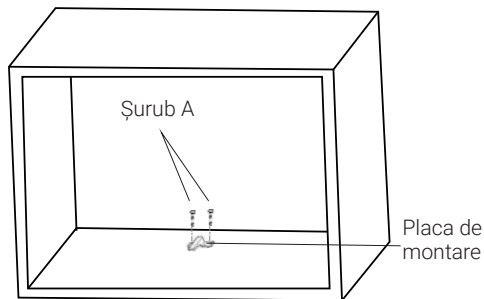
1. Citiți instrucțiunile de pe șablonul pentru fundul dulapului, așezați șablonul pe planul inferior al dulapului.



2. Faceți pe planul inferior al dulapului semnele corespunzătoare marcajelor „a” de pe șablon.



3. Scoateți șablonul pentru fundul dulapului și fixați placa de montare cu șurubul A.



3.5 Fixarea cuptorului

1. Instalați cuptorul în dulap.

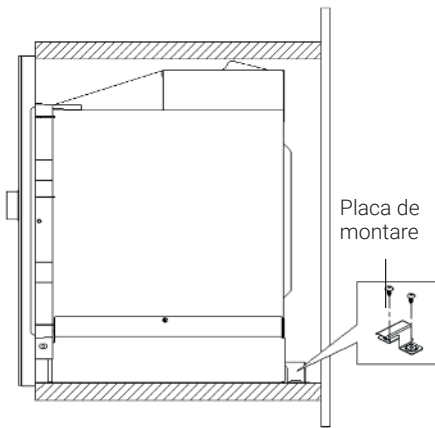
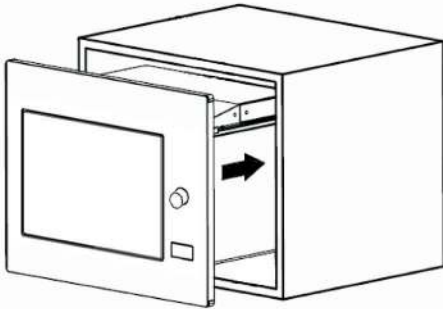


Aveți grijă ca spațele cuptorului să fie fixat de placa de montare.

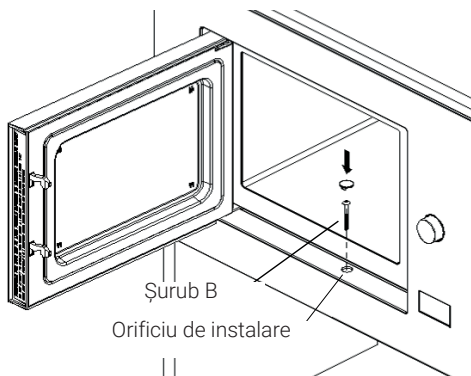


Nu blocați și nu îndoiți cablul de alimentare.

3 Instalare și conectare

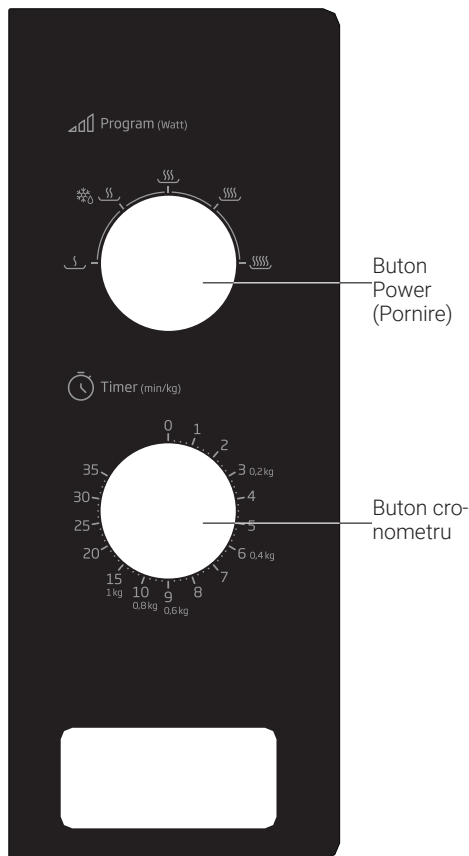


2. Deschideți ușa, fixați cuptorul de dulap cu șurubul prin orificiul de instalare. Fixați apoi capacul de plastic potrivit peste orificiul de instalare.








4 Funcționarea

4.1 Panoul de comandă



4. După ce timpul de gătire s-a terminat, aparatul va face "Dong" pentru a se opri.

5. Dacă unitatea nu este utilizată, setați întotdeauna timpul la "0".

Funcție/Alimentare	leșire	Aplicație
	17% micro.	Înghețata se înmoaie
	33% micro.	Supă, tocană, untul se înmoaie sau se dezgheață
	55% micro.	Tocană, pește
	77% micro.	Orez, pește, pui, carne tocată
	100% micro.	Reîncălzire, lapte, apa, legumele, băuturile fierb



Atunci când scoateți alimentele din cuptor, asigurați-vă că alimentarea cuptorului este oprită prin răsucirea comutatorului temporizatorului la 0 (zero). În caz contrar și în cazul în care cuptorul cu microunde funcționează fără alimente în el, acesta se poate supraîncălzi iar magnetronul se poate deteriora.

4.2 Utilizare

1. Pentru a seta puterea de gătire prin răsucirea butonului de putere la nivelul dorit.
2. Pentru a seta timpul de gătire, răsuciți butonul temporizatorului la timpul dorit conform ghidului de gătire a alimentelor.
3. Cuptorul cu microunde va începe să gătească automat după ce nivelul de putere și timpul sunt setate.

5 Curățarea și întreținerea

5.1 Curățarea și întreținerea



AVERTIZARE: Nu utilizați benzină, solvenți, agenți abrazivi de curățare, obiecte metalice sau perii dure pentru a curăța aparatul.



AVERTIZARE: Nu imersați niciodată aparatul sau cablul de alimentare în apă sau în orice alt lichid.

1. Înainte de curățare, opriți cuptorul și decuplați de la priza de perete.
2. Așteptați răcirea completă a produsului.
3. Păstrați curat interiorul cuptorului. Ștergeți cu o cârpă umezită stropii de alimente și băuturi din interiorul cuptorului. Dacă cuptorul este foarte murdar, puteți folosi un detergent ușor. Evitați folosirea sprayurilor și a altor produse dure pentru curățare, deoarece acestea pot păta, stria sau toci suprafața ușii.
4. Suprafețele exterioare pot fi curățate cu o cârpă umezită. Pentru a preveni deteriorarea elementelor de operare din interiorul cuptorului, nu permiteți pătrunderea apei prin deschiderile de ventilație.
5. Ștergeți frecvent ambele părți ale ușii și ferestrei, garniturile ușii și părțile adiacente cu o cârpă umezită pentru îndepărtarea stropilor și petelor de alimente. Nu utilizați soluții abrazive de curățare.
6. Nu utilizați aparate de curățare cu abur.
7. Nu permiteți panoului de comandă să se ude. Curățați cu o cârpă moale și umedă. Când curățați panoul de comandă, lăsați ușa cuptorului deschisă pentru a preveni acționarea accidentală a cuptorului.
8. Dacă se acumulează condens în interiorul sau în jurul exteriorului ușii cuptorului, ștergeți cu o cârpă moale. Aceasta se întâmplă când cuptorul este utilizat în condiții de umiditate înaltă. Și este un fenomen normal.
9. Ocazional este nevoie să îndepărtați tava din sticlă pentru curățare. Spălați tava în apă cu sumă sau în mașina de spălat vase.
10. Inelul de rotire și baza din interiorul cuptorului trebuie curățate cu regularitate pentru a evita zgomotul excesiv. Pur și simplu ștergeți baza din interiorul cuptorului cu detergent ușor. Inelul de rotire poate fi spălat în apă cu spumă ușoară sau în mașina de spălat vase. Când îndepărtați inelul de rotire din cavitatea interioară pentru curățare, asigurați-vă că îl repuneți apoi în poziția corectă.
11. Pentru a îndepărta mirosurile din cuptorul cu microunde, puneți într-un bol adânc potrivit pentru cuptorul cu microunde, un amestec de apă, suc și coajă de lămâie și acționați timp de 5 minute în cuptorul cu microunde. Ștergeți temeinic și uscați

5 Curățarea și întreținerea

cu o cârpă moale.

12. Când este cazul să înlocuiți lampa din cuptor vă rugăm solicitați comerciantul pentru înlocuire.
13. Cuptorul trebuie curățat cu regularitate pentru îndepărtarea depunerilor de alimente. Nerespectarea păstrării cuptorului în stare curată poate duce la deteriorarea suprafeței, care ar putea afecta funcționarea aparatului și ar putea duce la o situație periculoasă.
14. Vă rugăm să nu eliminați acest aparat împreună cu deșeurile menajere, trebuie eliminat în special la centrele municipale de colectare.
15. Atunci când este utilizată pentru prima dată funcția grill a cuptorului cu microunde, se poate produce un ușor miros și fum. Este un fenomen normal, deoarece cuptorul este produs dintr-o placă de oțel acoperită cu ulei de lubrifiere, iar noul cuptor va produce vapori și mirosuri generate de arderea uleiului de lubrifiere. Acest fenomen va dispărea după o perioadă de utilizare.

5.2 Depozitarea

- Dacă nu doriți să utilizați aparatul pentru o perioadă lungă de timp, depozitați-l cu grijă.
- Asigurați-vă că aparatul este decuplat, că s-a răcit complet și că este perfect uscat.
- Depozitați aparatul într-un loc uscat și rece.
- Nu lăsați aparatul la îndemâna copiilor

5.3 Manevrarea și transportul

- În timpul manevrării și transportului, transportați produsul în ambalajul său original. Ambalajul aparatului îl protejează împotriva deteriorării fizice.
- Nu plasați obiecte grele pe aparat sau pe ambalaj. Aparatul poate fi deteriorat.
- Căderea aparatului îl poate face nefuncțional sau poate provoca daune permanente.

Problemă	Motiv posibil	Soluie
Cuptorul nu poate porni.	1. Cablul de alimentare nu este conectat corect.	Deconectați. Apoi conectați din nou după 10 secunde.
	2. Siguranța este arsă sau întrerupătorul s-a declanșat.	Înlocuiți siguranța sau resetați întrerupătorul (reparată de personalul profesionist al companiei noastre).
	3. Probleme cu priza.	Testați priza cu alte produse electrice.
Cuptorul nu se încălzește.	4. Ușa nu este închisă corect.	Închideți ușa corect.
<p>Dacă niciuna din soluțiile de mai sus nu remediază situația, contactați un tehnician calificat. Nu încercați să ajustați sau să reparați dumneavoastră cuptorul.</p>		



CERTIFICAT DE GARANȚIE

Tensiune de alimentare/frecvență: 220-240V~, 50-60Hz
Importator: ARCTIC S.A., Găești, Dâmbovița, str. 13 Decembrie nr. 210, email: office@arctic.ro

TIP: **Electrocasnice mici de bucătărie**

Cuptor cu microunde

Purificatoare de aer

Model / Serie:.....

VÂNZĂTOR

Nr. factură:.....Data:

Vânzător (firma, localitatea):

CUMPĂRĂTOR

NumeLocalitatea

Str.Nr.BlocSc.Et.Ap.

Județ TelefonE-mail

S-a efectuat proba de funcționare a aparatului, s-a prezentat modul de folosire, s-au predat instrucțiunile de utilizare și toate accesoriile. Am primit aparatul în perfectă stare de funcționare.

Stimați clienți,

La cumpărare vă recomandăm să solicitați efectuarea probei de funcționare și să verificați existența instrucțiunilor de utilizare și a accesoriilor.

Pentru a putea beneficia de toate avantajele produselor și serviciilor noastre vă rugăm:

- să citiți cu atenție și să respectați recomandările prezentate în "Instrucțiunile de utilizare".

- să păstrați cu grijă acest certificat pentru a-l putea prezenta (împreună cu documentul fiscal de achiziție), personalului SERVICE ARCTIC, la orice sesizare efectuată în perioada de garanție.

Vă mulțumim că ați optat pentru cumpărarea unui produs Beko!

Garanția legală de conformitate

Durata medie de utilizare a produsului este de 5 ani!

Perioada de garanție a produsului este de 3 ani de la livrarea produsului*.

Perioada de 3 ani garanție se compune din garanția legală de conformitate de 2 (doi) ani la care se adaugă garanția comercială de durabilitate de 1 (un) an. Acordarea garanției comerciale de durabilitate se acordă în aceleași condiții în care se acordă garanția legală de conformitate.

*prin „produs” se înțelege „bun” conform OUG nr. 140/2021¹

Perioada de garanție legală de conformitate pentru conținutul digital sau serviciul digital în cazul bunurilor cu elemente digitale pentru care contractul de vânzare-cumpărare prevede furnizarea continuă de conținut digital sau a serviciului digital pe durată determinată este de:

a) 2 ani de la livrare, respectiv de la livrarea bunului - pentru produse cu durata medie de utilizare de 5 ani (art. 9 (3) din OUG nr. 140/2021);

b) 5 ani de la livrare, respectiv de la livrarea bunului - pentru produse cu durata medie de utilizare mai mare de 5 ani (art. 9 (3) din OUG nr. 140/2021);

c) Pe tot parcursul perioadei de furnizare a conținutului / serviciului digital - pentru furnizare continuă a conținutului / serviciului digital pe o perioadă mai mare de 5 ani (art. 9 (4) din OUG nr. 140/2021).

¹Ordonanță de urgență 140/2021 privind anumite aspecte referitoare la contractele de vânzare de bunuri



Service-ul acestui produs este asigurat de ARCTIC S.A. cu sediul în Găești, Dâmbovița, str. 13 Decembrie nr. 210. • *9010 • www.arctic.ro • www.beko.ro • e-mail: service@arctic.ro
Program Call Center: Luni - Vineri 08:30 - 20:00; Sâmbătă 08:30 - 17:00



Remedii incluse în garanția legală de conformitate conform OUG nr. 140/2021
(vă rugăm să aveți în vedere prevederile de mai jos)

ARCTIC garantează toate drepturile legale prevăzute de OUG nr. 140/2021 în beneficiul consumatorilor cu privire la garanția legală de conformitate. Dispozițiile prezentului certificat de garanție legală de conformitate se completează, în mod corespunzător, cu dispozițiile OUG nr. 140/2021.

În caz de neconformitate, consumatorul are dreptul de a beneficia de aducerea în conformitate a bunurilor, de a beneficia de o reducere proporțională a prețului sau de a obține încetarea contractului, în condițiile legii - art. 11 (1).

Consumatorii pot să opteze pentru o anumită măsură corectivă în cazul în care neconformitatea bunurilor este constatată la scurt timp după livrare, fără a depăși 30 de zile calendaristice - art. 11 (7).

Pentru ca bunurile să fie aduse în conformitate, consumatorul poate opta între reparație și înlocuire, cu excepția cazului în care măsura corectivă aleasă ar fi imposibilă sau, în comparație cu cealaltă măsură corectivă disponibilă, ar impune vânzătorului costuri care ar fi disproporționate, luând în considerare toate circumstanțele (ex. valoarea bunurilor în cazul în care nu ar fi existat neconformitatea, gravitatea neconformității sau dacă măsura corectivă alternativă ar putea fi executată fără vreun inconvenient semnificativ pentru consumator) - art. 11 (2).

Instalarea incorectă a bunurilor (art. 7).

Orice neconformitate cauzată de instalarea incorectă a bunurilor este considerată ca reprezentând o neconformitate a bunurilor, în oricare din următoarele situații:

- a) instalarea face parte din contractul de vânzare și a fost realizată de vânzător sau sub răspunderea vânzătorului;
- b) instalarea, destinată să fie realizată de consumator, a fost realizată de acesta și instalarea incorectă s-a datorat unor deficiențe în instrucțiunile de instalare furnizate de vânzător sau, în cazul bunurilor cu elemente digitale, de către vânzătorul sau furnizorul conținutului digital sau al serviciului digital.

Proba neconformității.

Orice neconformitate care este constatată în termen de un an de la data la care bunurile (inclusiv cele cu elemente digitale) au fost livrate este prezumată a fi existat deja în momentul livrării bunurilor până la proba contrarie sau cu excepția cazului în care această prezumție este incompatibilă cu natura bunurilor sau cu natura neconformității - art. 10 (1).

În cazul bunurilor cu elemente digitale pentru care contractul de vânzare prevede furnizarea continuă de conținut digital sau de servicii digitale pentru o anumită perioadă, sarcina probei cu privire la conformitatea conținutului digital sau a serviciului digital pe parcursul perioadelor de garanție legală îi revine vânzătorului în cazul unei neconformități care este constatată pe parcursul acestei perioade - art. 10 (3).

Remediere prin reparație.

În cazul în care neconformitatea este remediată prin reparație, termenele de garanție legală se prelungesc cu timpul de nefuncționare a bunului, din momentul la care a fost adusă la cunoștința vânzătorului lipsa de conformitate până la predarea efectivă a bunului în stare de utilizare normală către consumator - art. 12 (6).

Remediere prin înlocuire.

În cazul în care neconformitatea este remediată prin înlocuire, pentru bunurile care înlocuiesc bunurile neconforme, termenele legale de garanție pentru produsul înlocuit încep să curgă de la data înlocuirii cu noul produs - art. 12 (7).

Reducerea prețului și încetarea contractului.

Consumatorul are dreptul fie să obțină o reducere proporțională a prețului în conformitate cu legea, fie să obțină încetarea contractului de vânzare în condițiile legii, în oricare dintre următoarele cazuri - art. 11(4):

- a) vânzătorul nu a finalizat reparația sau înlocuirea sau, după caz, nu a finalizat reparația sau înlocuirea potrivit prevederilor legii sau vânzătorul a refuzat să aducă în conformitate bunurile potrivit prevederilor legii;
- b) se constată o neconformitate, în pofida eforturilor vânzătorului de a o remedia;
- c) neconformitatea este de o asemenea gravitate încât justifică o reducere de preț sau dreptul la încetarea imediată a contractului de vânzare;
- d) vânzătorul a declarat că nu va aduce bunurile în conformitate într-un termen rezonabil sau fără inconveniente semnificative pentru consumator ori acest lucru reiese clar din circumstanțele cazului.

Consumatorul are dreptul de a suspenda plata unei părți restante din prețul bunurilor sau a unei părți a acesteia până în momentul în care vânzătorul își va fi îndeplinit obligațiile care îi revin în temeiul legii - art. 11(6). Reducerea de preț este proporțională cu diminuarea valorii bunurilor primite de consumator în comparație cu valoarea pe care bunurile ar avea-o dacă ar fi în conformitate - art.13.

Încetarea contractului:

- a) nu poate fi solicitată dacă vânzătorul dovedește că neconformitatea este minoră;
- b) poate fi solicitată pentru totalitatea bunurilor achiziționate și livrate, deși motivul de încetare vizează doar anumite bunuri, în cazul în care consumatorul nu i se poate pretinde în mod rezonabil să accepte să păstreze numai bunurile conforme;
- c) determină obligația consumatorului de a returna vânzătorului bunurile, pe cheltuiala vânzătorului;
- d) determină obligația vânzătorului de a rambursa consumatorului prețul plătit pentru bunuri la primirea bunurilor sau a unei dovezii prezentate de consumator că bunurile au fost returnate; vânzătorul va folosi aceleași modalități de plată ca și cele folosite de consumator pentru tranzacția inițială, cu excepția cazului în care consumatorul a fost de acord cu o altă modalitate de plată și cu condiția de a nu cădea în sarcina consumatorului plata de comisioane în urma rambursării.

Garanția legală pentru viciu ascuns este aplicabilă în condițiile legii, conform OG nr. 21/1992 (reviziu 2) privind protecția consumatorului, OUG nr. 140/2021 și Codului Civil. Viciul ascuns reprezintă deficiența calitativă a unui produs livrat sau a unui serviciu prestat care nu a fost cunoscută și nici nu putea fi cunoscută de către consumator prin mijloacele obișnuite de verificare.



Service-ul acestui produs este asigurat de ARCTIC S.A. cu sediul în Găești, Dâmbovița, str.13 Decembrie nr. 210. • *9010 • www.arctic.ro • www.beko.ro • e-mail: service@arctic.ro
Program Call Center: Luni - Vineri 08:30 - 20:00; Sâmbătă 08:30 - 17:00

UNITĂȚILE SERVICE ALE ARCTIC S.A. EXECUTĂ REPARAȚII ÎN TERMENUL DE GARANȚIE ȘI ÎN AFARA ACESTUIA

Nr. crt.	Data Reclamației	Data primirii în reparație	Reparat			Reparația curentă și/sau componenta înlocuită	Prelungirea termenului de garanție	Efectuarea verificării	
			Programat	Data ridicării aparatului	Cauza întârzierii			SERVICE	CLIENT

CONDITII SUPLEMENTARE DE GARANȚIE :

Pentru orice defecțiune aparută în perioada de garanție, apeleți la Vânzător (respectiv, prin magazinul de unde a fost achiziționat produsul sau direct prin Call Center Arctic). Prelungirea termenului de garanție se va înscrive în certificatul de garanție de către unitatea SERVICE care a efectuat reparația. Garanția acoperă repararea și/sau înlocuirea pieselor constatate ca neconforme în sensul OUG nr. 140/2021. (necauzate de consumator) de către tehnicienii Service Arctic.

Termenul de realizare a operațiilor de reparare, înlocuire sau întreținere este de 15 zile calendaristice de la data la care cumpărătorul a sesizat lipsa de conformitate către vânzător (respectiv, prin magazinul de unde a achiziționat produsul sau direct prin Call Center Arctic).

Reparațiile /înlocuirile se efectuează cu respectarea următoarelor condiții - art. 12(1)-(5) din OUG nr.140/2021:

- fără costuri și fără vreun inconvenient semnificativ pentru consumator, ținând seama de natura bunurilor și de scopul pentru care consumatorul a solicitat bunurile în cauză;
- consumatorul pune bunurile la dispoziția vânzătorului, iar vânzătorul preia bunurile înlocuite pe propria cheltuială;
- obligăția de a repara sau înlocui bunurile include, după caz, demontarea bunurilor neconforme și instalarea bunurilor de înlocuire sau a bunurilor reparate sau suportarea costurilor aferente demontării și instalării;
- consumatorul nu este obligat să plătească pentru utilizarea normală a bunurilor înlocuite în perioada care a precedat înlocuirea acestora.

Reclamațiile referitoare la aspectele prevăzute mai jos, se rezolvă numai contra cost:

- piesele și accesoriile care prezintă lovituri, zgârieturi, spărtături sau deformări din vina exclusivă a consumatorului.

PRODUSUL NU BENEFICIAZĂ DE GARANȚIE ÎN URMĂTOARELE CAZURI:

- Nu au fost respectate instrucțiunile de transport, manipulare, instalare, utilizare și întreținere prescrite.
- Subansamblurile și accesoriile casabile care se deteriorează în timpul transportului vor fi înlocuite de vânzător (în cazul în care transportul e asigurat de vânzător sau sub responsabilitatea acestuia).
- Garanția nu se acordă subansamblelor și accesoriilor casabile ale produselor care suferă deteriorări din vina exclusivă a consumatorului.
- Tensiunea de alimentare are valori care nu se încadrează în limitele prevăzute de standarde (SR EN 50160).
- Instalația electrică a utilizatorului prezintă improvizații sau neconformități.
- Produsul a fost folosit în alte scopuri decât cel pentru care a fost proiectat.
- Produsul a suportat intervenții (reparații, modificări) din partea unor persoane neautorizate de producător.

Drepturile consumatorului sunt cele prevăzute în OUG nr. 140/2021 și OG 21/1992 (republicată).

În cadrul acestui proces, Arctic vă prelucrează date cu caracter personal, cu respectarea legilor aplicabile privind confidențialitatea și protecția datelor. Pentru informații complete despre modul în care vă prelucreăm datele, precum și despre drepturile dumneavoastră, vă rugăm să consultați secțiunea "Protecția datelor personale", accesând site-ul nostru la adresa <https://www.beko.ro/>.

Avant toute chose, veuillez lire ce manuel d'utilisation !

Chère cliente, cher client,

Merci d'avoir choisi cet appareil Beko. Nous espérons que cet appareil, fabriqué dans des installations modernes et soumis à un processus de contrôle qualité rigoureux, vous offre les meilleures performances possible. C'est pourquoi nous vous recommandons, avant d'utiliser l'appareil, de lire attentivement et complètement ce manuel d'utilisation ainsi que tous les autres documents fournis et de les conserver soigneusement pour une utilisation future. Si vous cédez l'appareil à quelqu'un d'autre, remettez-lui également le manuel d'utilisation. Suivez les instructions en accordant une attention particulière à toutes les informations et les avertissements contenus dans le manuel d'utilisation.

Notez que ce manuel d'utilisation peut également s'appliquer à d'autres modèles. Les différences entre les modèles sont clairement décrites dans le manuel.

Signification des symboles

Les pictogrammes suivants sont repris tout au long de ce manuel :



Informations importantes et conseils utiles sur l'utilisation de l'appareil.



Avertissement sur les situations dangereuses concernant la sécurité des biens et des personnes.



Avertissement en cas de choc électrique.



Avertissement en cas de contact avec une surface brûlante.



Points de collecte sur www.quefairedemesdechets.fr
Privilégiez la réparation ou le don de votre appareil !



1 Instructions importantes en matière de sécurité et d'environnement

Consignes de sécurité importantes à lire attentivement et à conserver pour référence ultérieure

1.1 Avertissements de sécurité

Cette section comprend les instructions de sécurité qui vous mettent à l'abri de tout risque d'incendie, de choc électrique, d'exposition à une fuite d'énergie micro-ondes, de toute blessure physique ou de tout dommage matériel. Le non-respect de ces instructions annule toute garantie.

- Les fours à micro-ondes Beko sont conformes aux normes de sécurité applicables ; par conséquent, en cas de dommage sur l'appareil ou le câble d'alimentation, celui-ci doit être réparé ou remplacé par le revendeur, le centre de service

ou un service spécialisé et autorisé afin d'éviter tout danger. Lorsque les réparations sont mauvaises ou effectuées par un personnel non qualifié, elles peuvent être dangereuses et entraîner des risques pour l'utilisateur.

- Cet appareil est conçu pour être utilisé dans les maisons et les endroits similaires tels que :
 - les cuisines du personnel des boutiques, des bureaux et autres environnements professionnels ;
 - les maisons de campagne ;
 - les cuisines pour clients dans les hôtels et autres lieux d'habitation ; et
 - les chambres d'hôtes.
- Il n'a pas été conçu à des fins industrielles ou pour

1 Instructions importantes en matière de sécurité et d'environnement

les laboratoires.

- N'essayez pas de dé-marrar le four lorsque sa porte est ouverte, sinon vous risquez d'être exposé à l'énergie nocive des micro-ondes. Les verrous de sécurité ne doivent pas être levés ou altérés.
- Le four sert à réchauffer les aliments et les boissons. Le séchage des aliments et des chiffons humides, et le chauffage des coussins, pantoufles et éponges chauffantes, et autres dispositifs pourraient causer des dommages corporels, ou un incendie.
- Ne placez aucun objet entre la face avant et la porte du four. Ne laissez pas la saleté ou les restes de produits de nettoyage s'accumuler sur les surfaces de fermeture.
- Tout travail de réparation impliquant le retrait du couvercle qui assure la protection contre l'exposition à l'énergie micro-ondes doit être effectué par des personnes/services autorisés. Toute autre approche est dangereuse.
- Votre appareil est destiné à la cuisson, au chauffage et à la décongélation des aliments à domicile. Il ne doit pas être utilisé à des fins commerciales.
- Votre four n'est pas conçu pour sécher un être vivant.
- N'utilisez pas votre appareil pour sécher les vêtements ou les torchons de cuisine.
- N'utilisez pas cet appareil à l'extérieur, dans

les salles de bain, dans des environnements humides ou dans des endroits où il peut être mouillé.

- Aucune responsabilité ou garantie n'est assurée pour les dommages résultant d'une mauvaise utilisation ou d'une manipulation incorrecte de l'appareil.
- N'essayez jamais de démonter l'appareil. Aucune réclamation de garantie n'est acceptée pour les dommages causés par une mauvaise manipulation.
- Utilisez uniquement les pièces ou pièces d'origine recommandées par le fabricant.
- Ne laissez pas l'appareil sans surveillance lorsqu'il est utilisé.
- Utilisez toujours l'ap-

pareil sur une surface stable, plane, propre, sèche et antidérapante.

- L'appareil ne doit pas être utilisé avec une horloge externe ou un système de commande à distance séparé.
- Nettoyez toutes les pièces de l'appareil avant de l'utiliser pour la première fois. Veuillez consulter les détails donnés dans la section « Nettoyage et entretien ».
- N'utilisez l'appareil que pour l'usage auquel il est destiné, tel que décrit dans ce manuel.
- L'appareil devient brûlant lorsqu'il est utilisé. Faites attention à ne pas toucher les parties chaudes à l'intérieur du four.
- Ne faites pas fonctionner le four lorsqu'il est vide.

- La chaleur produite par les aliments peut être transmise aux ustensiles de cuisson et les faire chauffer. Vous aurez peut-être besoin de gants de cuisine pour tenir l'ustensile.
- Assurez-vous que les ustensiles sont adaptés à l'utilisation dans un four à micro-ondes.
- Ne placez pas le four sur des cuisinières ou d'autres appareils générant de la chaleur. Dans le cas contraire, il peut être endommagé, annulant ainsi la garantie.
- De la vapeur peut s'échapper lorsque vous ouvrez les couvercles ou le papier d'aluminium après la cuisson des aliments.
- L'appareil et ses surfaces accessibles peuvent être très chauds lorsque l'appareil fonctionne.
- La porte et le verre extérieurs peuvent être très chauds lorsque l'appareil fonctionne.
- Assurez-vous que votre alimentation électrique est conforme aux informations fournies sur la plaque signalétique de l'appareil.
- L'unique façon de déconnecter l'appareil de l'alimentation électrique est de retirer la fiche de la prise de courant.
- Utilisez l'appareil uniquement avec une prise mise à la terre.
- N'utilisez jamais l'appareil si le câble d'alimentation ou l'appareil lui-même est endommagé.
- N'utilisez pas cet appareil avec une rallonge.
- Ne touchez jamais l'ap-

1 Instructions importantes en matière de sécurité et d'environnement

pareil ou sa prise avec des mains humides.

- Placez l'appareil de manière à ce que la fiche soit toujours accessible.
- Évitez d'endommager le câble d'alimentation en ne pas le serrer, le plier ou le frotter sur des bords tranchants. Éloignez le câble d'alimentation de toute surface brûlante et des flammes.
- Assurez-vous qu'il n'y ait aucun danger de tension accidentelle sur le câble d'alimentation et que personne ne risque de trébucher sur le câble, lorsque l'appareil est en marche.
- Débranchez l'appareil avant chaque nettoyage et lorsque l'appareil n'est pas utilisé.
- Ne tirez pas le câble d'alimentation de l'appareil pour le débrancher de son alimentation électrique et n'enroulez jamais son câble d'alimentation autour de l'appareil.
- Ne plongez pas l'appareil, le câble d'alimentation ou la fiche dans de l'eau ou dans tout autre liquide. Ne le maintenez pas sous l'eau courante.
- Si vous chauffez les aliments dans un récipient en plastique ou en papier, gardez un œil sur le four pour éviter tout risque d'inflammation.
- Retirez les attaches et poignées métalliques des récipients/sacs en papier ou en plastiques avant de la monter sur le four.
- Si vous remarquez de la fumée, débranchez l'appareil si cela peut se faire sans danger et maintenez la porte fermée pour étouffer les flammes.

- N'utilisez pas le four à micro-onde comme espace de rangement. Ne laissez pas des produits en papier, des ustensiles de cuisson ou des aliments dans la cavité du four lorsque vous ne l'utilisez pas.
- Le contenu des biberons et aliments pour bébé doit être remué ou agité et vérifiez la température avant de les consommer pour éviter tout risque de brûlure.
- Ce produit est un appareil ISM du groupe 2 et de classe B. Le groupe 2 comprend tous les appareils ISM (à usage industriel, scientifique et médical) dans lesquels une énergie à fréquence radio est produite de façon intentionnelle et/ou utilisée sous la forme de radiations électromagnétiques pour le traitement de matériau, ainsi que les appareils dont les pièces sont usinées par électroérosion.
- Les appareils de la classe B sont conçus pour être utilisés dans un environnement domestique et dans des établissements directement reliés à un réseau d'alimentation basse tension.
- N'utilisez pas des huiles de cuisine dans le four. L'huile chaude peut endommager les composants et les matériaux du four. Elle peut également provoquer des brûlures de la peau.
- Percez les aliments à la croûte épaisse comme les pommes de terre, les courgettes, les pommes et les châtaignes.
- Disposez l'appareil de sorte que la face arrière

1 Instructions importantes en matière de sécurité et d'environnement

soit tournée vers le mur.

- Avant de déplacer l'appareil, veuillez sécuriser le plateau tournant pour éviter tout dommage.
- Ne chauffez pas les œufs en coquille et les œufs durs entiers dans les fours à micro-ondes, ils peuvent exploser même après que le four ait terminé de chauffer.

AVERTISSEMENT : Si la porte ou les joints de la porte sont endommagés, faites-les réparer par une personne qualifiée avant de continuer à utiliser le four.

AVERTISSEMENT : Il est dangereux pour toute personne non qualifiée d'effectuer les travaux d'entretien et de réparation nécessitant le démontage du couvercle servant à protéger contre l'énergie des ondes du four.

AVERTISSEMENT : Les liquides et autres aliments ne doivent pas être chauffés dans les récipients fermés, parce qu'ils peuvent exploser.

- Nettoyez le four régulièrement et enlevez tous les dépôts d'aliments dans le four.
- Vous devez laisser un espace de 20 cm au-dessus de la surface supérieure du four.
- Ne faites pas trop cuire les aliments, sinon vous risquez de provoquer un incendie.
- N'utilisez pas de nettoyeur à la vapeur pour nettoyer l'appareil.
- Des conditions de sécurité maximales sont requises lorsque l'appareil est utilisé près des enfants ou des personnes présentant des déficiences physiques, sen-

sorieilles ou mentales.

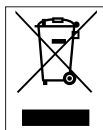
- Cet appareil peut être utilisé par des enfants âgés d'au moins 8 ans et par des personnes ayant des capacités physiques, sensorielles ou mentales réduites ou dénuées d'expérience ou de connaissance, s'ils (si elles) sont correctement surveillé(es) ou si des instructions relatives à l'utilisation de l'appareil en toute sécurité leur ont été données et si les risques encourus ont été appréhendés. Les enfants ne doivent pas jouer avec l'appareil. Le nettoyage et l'entretien par l'utilisateur ne doivent pas être effectués par des enfants sans surveillance
 - **Risque de suffocation !** Gardez tous les matériaux d'emballage hors
- de portée des enfants.
 - En raison de l'excès de chaleur qui se produit en modes gril et combiné, les enfants ne doivent être autorisés à utiliser ces modes que sous la surveillance d'un adulte.
 - Tenez l'appareil et son câble d'alimentation hors de la portée des enfants de moins de 8 ans.
 - Ne faites pas cuire les aliments directement sur le plateau en verre. Mettez les aliments dans/sur les ustensiles de cuisine appropriés avant de les placer dans le four.
 - Les récipients métalliques pour les aliments et les boissons ne sont pas autorisés pendant la cuisson au micro-ondes. Sinon, cela pourrait produire une formation d'étincelles.

1 Instructions importantes en matière de sécurité et d'environnement

- Le four à micro-ondes ne doit pas être rangé dans une armoire non conforme aux instructions d'installation.
- Il est conçu uniquement pour être encastré.
- Si les appareils encastrés sont utilisés à une hauteur égale ou supérieure à 900 mm au-dessus du sol, il faut veiller à ne pas déplacer le plateau tournant lorsque vous retirez les récipients de l'appareil.
- Si l'appareil encastré se trouve dans une armoire ayant une porte, il doit être utilisé avec la porte de l'armoire ouverte.

1.2 Conformité avec la directive DEEE et mise au rebut des déchets:

Ce produit est conforme à la directive DEEE (2012/19/UE) de l'Union européenne. Ce produit porte un symbole de classification pour la mise au rebut des équipements électriques et électroniques (DEEE).



Ce symbole indique que ce produit ne doit pas être jeté avec les déchets ménagers à la fin de sa vie utile. Les appareils usagés doivent être retournés

au point de collecte officiel destiné au recyclage des appareils électriques et électroniques. Pour trouver ces systèmes de collecte, veuillez contacter les autorités locales ou le détaillant auprès duquel vous avez acheté le produit. Chaque ménage joue un rôle important dans la récupération et le recyclage des appareils ménagers usagés. L'élimination appropriée des appareils usagés aide à prévenir les conséquences négatives potentielles pour l'environnement et la santé humaine.

1.3 Conformité avec la directive LdSD :

L'appareil que vous avez acheté est conforme à la directive LdSD (2011/65/UE) de l'Union européenne. Il ne comporte pas les matériels dangereux et interdits mentionnés dans la directive.

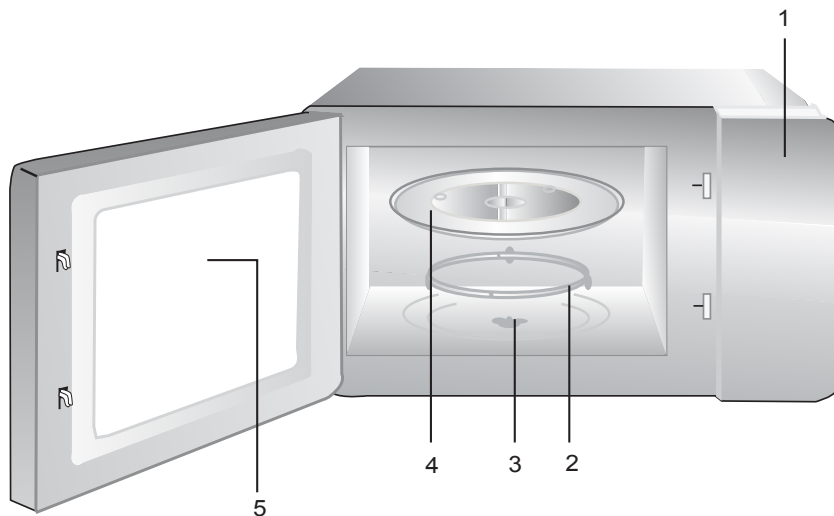
1.4 Information sur l'emballage



L'emballage du produit est composé de matériaux recyclables, conformément à notre réglementation nationale. Ne jetez pas les éléments d'emballage avec les déchets domestiques et autres déchets. Déposez-les dans un des points de collecte d'éléments d'emballage que vous indiquera l'autorité locale dont vous dépendez.

2 Votre four à micro-ondes

2.1 Aperçu



Commandes et pièces

1. Bandeau de commande
2. Support du plateau tournant
3. Entraîneur du plateau tournant
4. Plateau en verre
5. Vitre du four

Dimensions externes	595*344*388 mm
Capacité du four	20 litres
Poids net	15.1 kg

Modifications relatives à la technique et à la conception réservées.

2.2 Données techniques

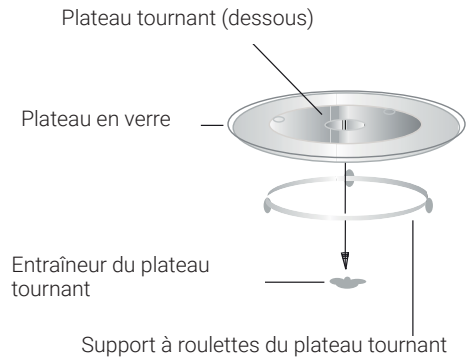
Modèle	BMOB 20202 B	BMOB 20202 W
Tension nominale	230 V~50 Hz	
Entrée (Micro-ondes)	1250 W	
Puissance (Micro-ondes)	800 W	
Fréquence de fonctionnement	2 450 MHz	
Diamètre du plateau tournant	245 mm	

Les inscriptions sur le produit ou les valeurs indiquées sur la documentation fournie avec le produit sont des valeurs obtenues dans des conditions de laboratoire conformément aux normes en vigueur. Ces valeurs peuvent varier selon l'utilisation de l'appareil et les conditions environnantes. Les valeurs d'alimentation électrique sont testées à 230V.

2 Votre four à micro-ondes

2.3 Installation du plateau tournant

- Ne placez jamais le plateau en verre à l'envers. Il ne doit en aucun cas être bloqué.
- Utilisez toujours le plateau en verre et le support du plateau tournant pendant la préparation.
- Placez toujours les aliments et les récipients sur le plateau en verre pour la cuisson.
- En cas de fissure ou de cassure du plateau en verre ou du support du plateau tournant, contactez votre centre de services autorisé le plus proche.



3 Installation et raccordement

3.1 Installation et raccordement

- Retirez tous les matériaux d'emballage et les accessoires. Examinez tout signe de dommage tels que des creux ou des signes de porte cassée. N'installez pas le four s'il est endommagé.
 - Retirez le film de protection sur la surface de la carrosserie du four à micro-ondes.
 - Ne retirez pas le couvercle de mica marron clair fixé à la cavité du four pour protéger le magnétron.
 - Veuillez respecter les instructions d'installation.
 - L'appareil peut être installé dans une armoire murale de 60 cm de largeur (55 cm de profondeur minimum et 85 cm au-dessus du sol).
 - L'appareil est équipé d'une fiche et doit uniquement être branché à une prise de terre correctement installée.
- La tension du secteur doit correspondre aux valeurs spécifiées sur la plaque signalétique.
 - Si le câble d'alimentation est endommagé, il doit être remplacé par une personne ou un service après-vente agréé. Si la fiche n'est plus accessible après l'installation, un dispositif coupe-circuit agissant sur tous les pôles doit être disponible sur le site d'installation, avec un espace de contact de 3 mm minimum.
 - N'utilisez pas d'adaptateurs, de multiprises ou de rallonges. Toute surcharge expose à des risques d'incendie.



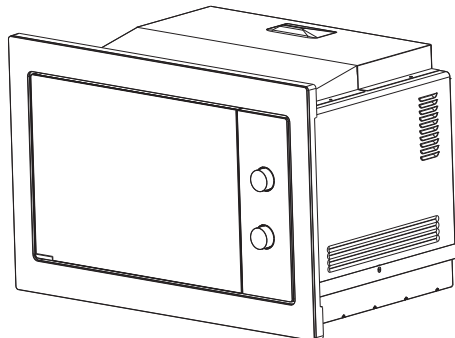
Les surfaces accessibles peuvent être chaudes pendant l'utilisation.

3 Installation et raccordement



Évitez de coincer ou de plier le cordon d'alimentation.

3.2 Pièces d'installation et d'encastrement

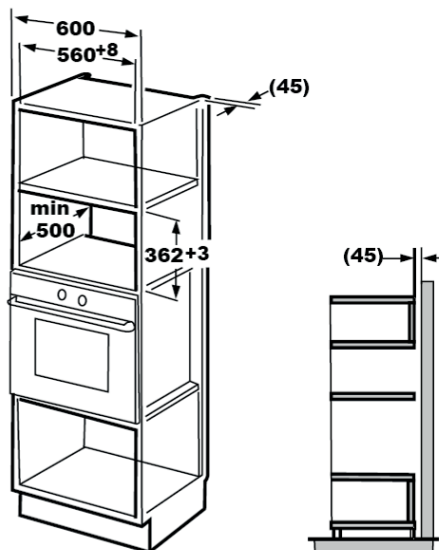


⚙️ Vis A

🔩 Plaque de montage

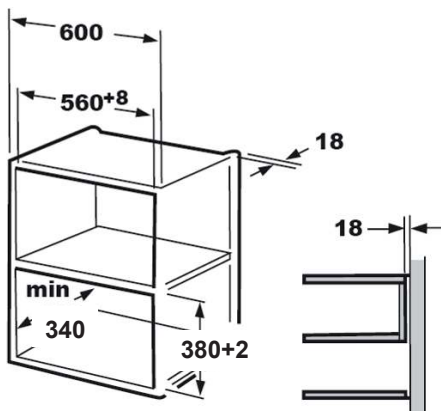
🔩 Vis B

○ Rondelle



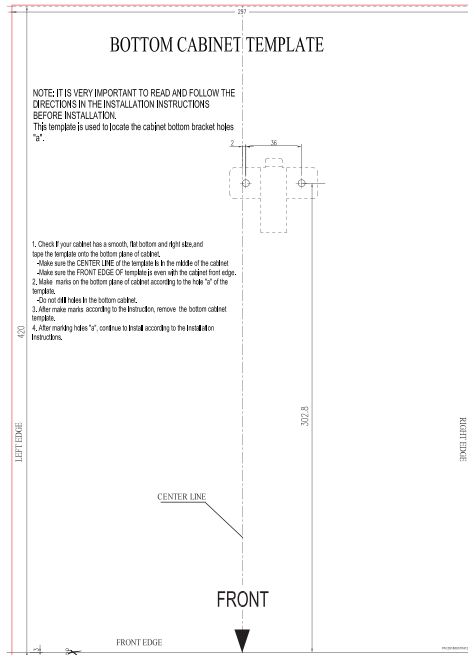
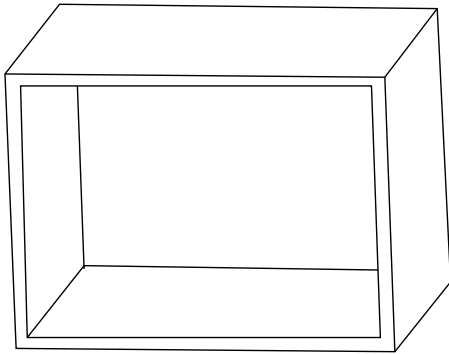
Le support et le gabarit inférieur sont nécessaires dans les deux installations.

3.3 Meubles intégrés

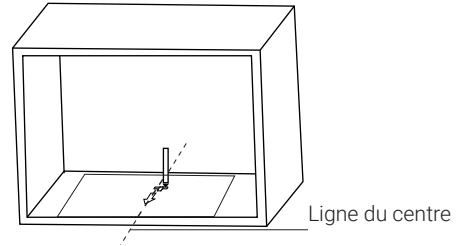


3.4 Fixation du support d'encastrement

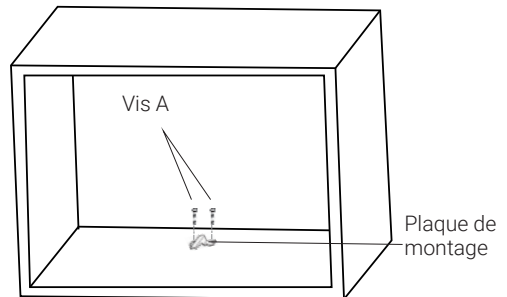
1. Lisez les instructions sur le gabarit inférieur de l'armoire et placez le gabarit sur le plan inférieur de l'armoire.



2. Faites des marques sur le plan inférieur de l'armoire selon les marques « a » sur le gabarit.



3. Retirez le gabarit et fixez le support à l'aide des vis A.



3.5 Fixation du four

1. Installez le four dans la niche.

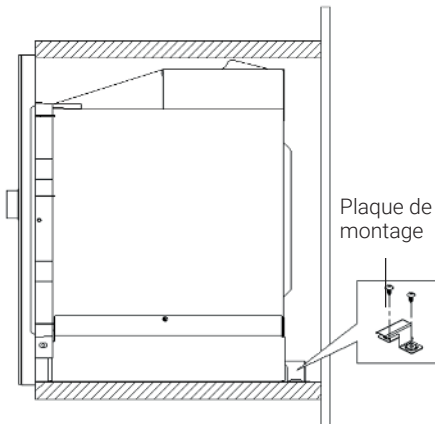
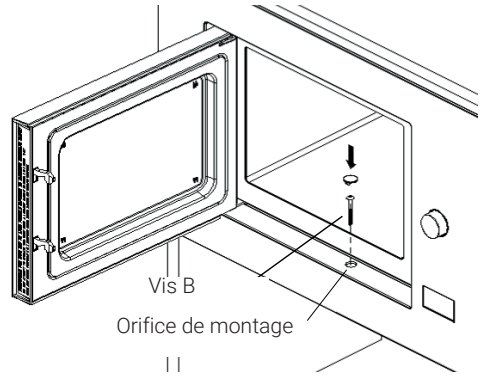
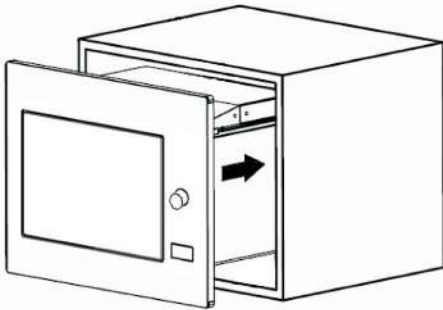


3 Installation et raccordement



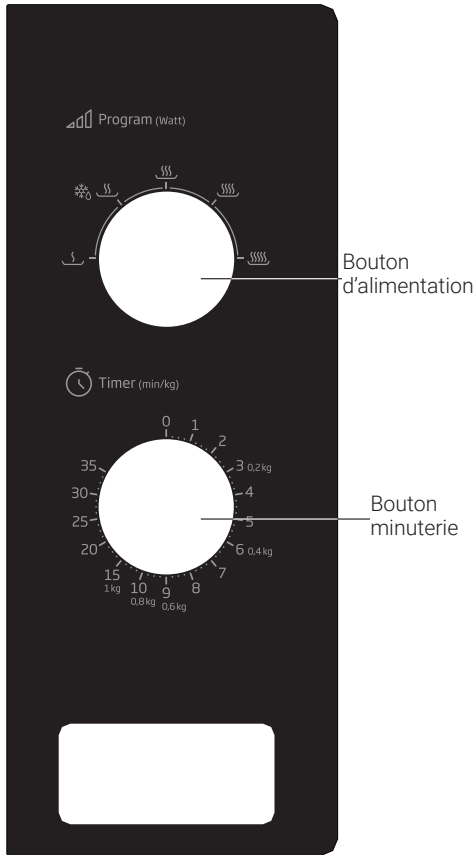
Évitez de coincer ou de plier le cordon d'alimentation. Branchez votre four à la prise murale.

2. Ouvrez la porte, fixez le four à l'armoire à l'aide de la vis B à travers l'orifice situé au bas du cadre d'encastrement. Recouvrez la vis avec le cache en plastique fourni.








4 Fonctionnement

4.1 Bandeau de commande



4. Une fois le temps de cuisson écoulé, l'appareil indiquera "Dong" pour s'arrêter.

5. Si l'appareil n'est pas utilisé, réglez toujours l'heure sur "0".

Fonction	Puissance	Utilisation
	17% micro.	Ramollir la glace
	33% micro.	Ragoût de soupe, ramollir le beurre ou décongeler
	55% micro.	Ragoût, poisson
	77% micro.	Riz, poisson, poulet, viande hachée
	100% micro.	Réchauffer, lait, faire bouillir de l'eau, des légumes, des boissons



Lorsque vous sortez des aliments du four, assurez-vous que l'alimentation du four à micro-ondes est coupée en tournant la minuterie sur 0 (zéro). Le non-respect de cette consigne et l'utilisation du four à micro-ondes sans aliments à l'intérieur peuvent entraîner une surchauffe et endommager le magnétron.

4.2 Utilisation

1. Réglez la puissance de cuisson en tournant le bouton de puissance au niveau désiré.
2. Régler le temps de cuisson en tournant le bouton de la minuterie au temps désiré selon votre guide de cuisson des aliments.
3. Le four à micro-ondes démarrera automatiquement la cuisson une fois le niveau de puissance et le temps réglés.

5 Nettoyage et entretien

5.1 Nettoyage et entretien



AVERTISSEMENT : N'utilisez jamais d'essence, de solvants ou de nettoyeurs abrasifs, d'objets métalliques ou de brosses dures pour nettoyer l'appareil.



AVERTISSEMENT : Ne trempez jamais l'appareil ou son cordon d'alimentation dans de l'eau ou dans tout autre liquide.

1. Éteignez le four et débranchez la fiche d'alimentation de la prise murale avant le nettoyage.
2. Patientez jusqu'au refroidissement complet de l'appareil.
3. Maintenez l'intérieur du four propre. Lorsque des éclaboussures d'aliments ou des liquides renversés se déposent sur les parois du four, essuyez-les à l'aide d'un chiffon humide. Utilisez un détergent doux si le four est très sale. Évitez l'utilisation d'aérosol et d'autres nettoyeurs abrasifs, car ils peuvent tâcher, rayer ou ternir la surface de la porte.
4. Nettoyez les surfaces extérieures avec un chiffon humide. Pour éviter d'endommager les pièces fonctionnelles à l'intérieur du four, ne laissez pas l'eau s'infiltrer par les orifices de ventilation.
5. Essuyez régulièrement les deux côtés de la porte et de la fenêtre, les joints d'étanchéité de la porte et les pièces adjacentes avec un chiffon humide pour nettoyer tout déversement ou toute éclaboussure. N'utilisez pas de nettoyeurs abrasifs.
6. N'utilisez pas de nettoyeur vapeur.
7. Ne laissez pas le panneau de commande se mouiller. Nettoyez avec un chiffon humide et doux. Lorsque vous nettoyez le panneau de commande, laissez la porte du four ouverte pour éviter que le four ne s'allume accidentellement.
8. Si de la vapeur s'accumule à l'intérieur ou autour de la porte du four, essuyez-la à l'aide d'un chiffon doux. Cela se produit lorsque le four à micro-ondes fonctionne dans des conditions d'extrême humidité. Ce phénomène est normal.
9. Il est parfois nécessaire de retirer le plateau en verre pour le nettoyer. Lavez le plateau dans de l'eau tiède savonneuse ou au lave-vaisselle.
10. Nettoyez régulièrement l'anneau et le bas de la cavité du four pour éviter des bruits excessifs. Essuyez simplement la surface inférieure du four à l'aide d'un détergent doux. Vous pouvez laver l'anneau dans de l'eau tiède savonneuse ou au lave-vaisselle. Lorsque vous retirez l'anneau de la cavité pour le nettoyer, veillez à le replacer dans la bonne position.

5 Nettoyage et entretien

11. Pour éliminer les odeurs de votre four, mélangez une tasse d'eau avec le jus et le zeste d'un citron dans un bol profond utilisable au micro-ondes. Faites-le chauffer au micro-ondes pendant 5 minutes. Nettoyez soigneusement et séchez ensuite la cavité en vous servant d'un chiffon doux.
12. Lorsqu'il est nécessaire de remplacer la lampe du four, veuillez consulter un vendeur pour la faire remplacer.
13. Le four doit être régulièrement nettoyé et tous les dépôts d'aliments doivent être retirés. Tout défaut de conservation du four dans un état propre peut entraîner la détérioration de sa surface, ce qui en retour pourrait affecter la durée de vie de l'appareil et éventuellement des situations dangereuses.
14. Ne jetez pas cet appareil avec les ordures ménagères ; il doit être mis au rebut dans le centre de collecte prévu à cet effet par les autorités municipales.
15. Lorsque vous utilisez le four à micro-ondes avec fonction gril pour la première fois, il peut produire de légères fumées et odeurs. Ce phénomène est normal, car le four comporte une plaque d'acier recouverte d'huile de lubrification, et lorsqu'il est neuf, il produit des fumées et des odeurs générées par la combustion de l'huile lubrification. Ce phénomène disparaît après une période d'utilisation.

5.2 Rangement

- Si vous ne comptez pas utiliser votre appareil pendant un certain temps, veuillez le ranger soigneusement.
- Veillez également à ce que l'appareil soit débranché, complètement refroidi et entièrement sec.
- Conservez l'appareil dans un endroit frais et sec.
- Tenez l'appareil hors de la portée des enfants.

5.3 Manipulation et transport

- Pendant la manipulation et le transport, portez toujours l'appareil dans son emballage d'origine. L'emballage de l'appareil le protège des dommages physiques.
- Ne placez pas de charges lourdes sur l'appareil ou sur l'emballage. Cela pourrait l'endommager.
- Toute chute de l'appareil peut le rendre non opérationnel ou l'endommager de façon permanente.

6 Dépannage

Problème	Raison éventuelle	Solution
Le four ne démarre pas.	1) Le cordon d'alimentation n'est pas correctement enfiché.	Débranchez. Branchez ensuite après 10 secondes.
	2) Fusible grillé ou disjoncteur activé.	Remplacez le fusible ou le disjoncteur (réparé par un professionnel de notre entreprise).
	3) Problème avec la sortie.	Testez la sortie avec d'autres appareils électriques.
Le four ne chauffe pas.	4) La porte n'est pas correctement fermée.	Fermez correctement la porte.
Si rien de ce qui précède ne règle la situation, contactez un technicien qualifié. N'essayez pas de régler ou de réparer le four vous-même.		

Proszę najpierw przeczytać tę instrukcję obsługi!

Szanowny Kliencie,

dziękujemy za wybranie urządzenia marki Beko. Mamy nadzieję, że zakupione urządzenie, wyprodukowane z zapewnieniem wysokiej jakości przy użyciu najnowszych technologii, okaże się w pełni zadowolające. W tym celu przed użyciem urządzenia należy uważnie przeczytać całą instrukcję obsługi oraz dołączone dokumenty i zachować je do wglądu na przyszłość. Przekazując urządzenie innemu użytkownikowi, należy dołączyć również niniejszą instrukcję. Należy postępować zgodnie z instrukcjami, zwracając uwagę na wszystkie informacje i ostrzeżenia zamieszczone w niniejszym dokumencie.

Należy pamiętać, że niniejsza instrukcja może odnosić się także do innych modeli. Różnice pomiędzy modelami są wyraźnie opisane w instrukcji.

Znaczenie symboli

W różnych częściach niniejszej instrukcji obsługi stosowane są następujące symbole:



Ważne informacje i przydatne wskazówki dotyczące użytkowania.



Ostrzeżenia dotyczące sytuacji zagrażających bezpieczeństwu, życiu i mieniu.



Ostrzeżenie przed porażeniem prądem.



Ostrzeżenie przed gorącymi powierzchniami.



**PAPIER Z RECYKLINGU
I NADAJĄCY SIĘ
DO PONOWNEGO
PRZETWORZENIA**

1 Ważne instrukcje dotyczące bezpieczeństwa i ochrony środowiska

Ważne informacje dotyczące bezpieczeństwa Przeczytaj uważnie i zachowaj na przyszłość

1.1 Ostrzeżenia dotyczące bezpieczeństwa

Rozdział ten zawiera instrukcje bezpieczeństwa, które pomogą w uniknięciu pożaru, porażenia prądem, narażenia na wyciek energii mikrofalowej, obrażeń ciała lub uszkodzenia mienia. Nieprzestrzeganie tych instrukcji unieważnia udzielone gwarancje.

- Kuchenka mikrofalowa firmy Beko spełnia wszystkie wymogi stosownych norm bezpieczeństwa. W przypadku jakiegokolwiek uszkodzenia urządzenia lub przewodu zasilającego, aby uniknąć wszelkich zagrożeń należy oddać je do naprawy lub wymiany przez sprzedawcę, punkt serwisowy lub specjalistę albo autoryzowany serwis. Niewłaściwa lub niewykwalifikowana naprawa może spowodować niebezpieczeństwo i zagrożenie dla użytkownika.
- Urządzenie to jest przeznaczone do użytku domowego lub w podobnych miejscach, np.:
 - w kuchniach personelu sklepu, biur i innych środowisk pracy;
 - w zabudowaniach gospodarczych
 - hotelach i innych obiektach mieszkalnych;
 - w obiektach typu nocleg ze śniadaniem (B&B).
- Nie nadaje się on do użytku przemysłowego lub laboratoryjnego.
- Nie uruchamiaj mikro-

1 Ważne instrukcje dotyczące bezpieczeństwa i ochrony środowiska

fali, gdy drzwiczki są otwarte; w przeciwnym razie możesz być narażony na działanie szkodliwej energii mikrofal. Nie należy wyłączać ani modyfikować zamków bezpieczeństwa.

- Kuchenka mikrofalowa jest przeznaczona do podgrzewania potraw i napojów. Suszenie żywności lub odzieży oraz ogrzewanie poduszek rozgrzewających, kapci, gąbek, wilgotnej szmatki itp. może prowadzić do obrażeń, zapalenia lub pożaru.
- Nie umieszczaj żadnych przedmiotów między przednią częścią a drzwiczkami. Nie dopuszczaj do gromadzenia się brudu lub resztek środka czyszczącego na powierzchniach zamknięcia.
- Wszelkie prace serwisowe polegające na zdjęciu osłony chroniącej przed promieniowaniem mikrofal muszą być wykonywane przez upoważnione osoby/serwis. Każde inne prace są niebezpieczne.
- Produkt jest przeznaczony do gotowania, podgrzewania i rozmrażania żywności w domu. Nie może być używany do celów handlowych.
- Kuchenka mikrofalowa nie jest przeznaczona do suszenia jakichkolwiek żywych istot.
- Nie używaj urządzenia do suszenia ubrań ani ręczników kuchennych.
- Nie używaj urządzenia na zewnątrz, w łazienkach, w wilgotnym środowisku lub w miejscach, w których może ulec zamoczeniu.

1 Ważne instrukcje dotyczące bezpieczeństwa i ochrony środowiska

- Firma nie ponosi odpowiedzialności ani nie zapewnia gwarancji za szkody wynikające z niewłaściwego użytkowania lub niewłaściwej obsługi urządzenia.
- Nie należy próbować rozkładać tego urządzenia na części. Za szkody spowodowane nieprawidłową obsługą nie przysługują żadne roszczenia gwarancyjne.
- Należy stosować wyłącznie oryginalne lub zalecane przez producenta części zamienne.
- Nie pozostawiaj urządzenia bez nadzoru, gdy jest podłączone.
- Zawsze używaj urządzenia na stabilnej, płaskiej, czystej, suchej i antypoślizgowej powierzchni.
- Urządzenie nie powinno być używane w połączeniu z zewnętrznym wyłącznikiem czasowym lub osobnym urządzeniem sterującym.
- Przed pierwszym użyciem wyczyść wszystkie części. Szczegółowe informacje można znaleźć w rozdziale „Czyszczenie i konserwacja”.
- To urządzenie należy używać tylko zgodnie z jego przeznaczeniem, w sposób opisany w niniejszej instrukcji.
- Podczas pracy urządzenie bardzo się nagrzewa. Uważaj, aby nie dotknąć gorących części wewnątrz mikrofalówki.
- Nie włączaj kuchenki, gdy jest pusta.
- Naczynie do gotowania może się nagrzewać na skutek przenoszenia ciepła z podgrzanej żywności do naczynia. Możesz potrzebować rękawic kuchennych do przytrzy-

1 Ważne instrukcje dotyczące bezpieczeństwa i ochrony środowiska

mania naczynia.

- Naczynia należy sprawdzić, aby upewnić się, że nadają się do użytku w kuchenkach mikrofalowych.
- Nie umieszczaj mikrofal na kuchence ani innych urządzeniach wytwarzających ciepło. W przeciwnym razie urządzenie może ulec uszkodzeniu, a gwarancja straci ważność.
- Podczas podnoszenia pokryw lub folii po gotowaniu może wydostawać się para.
- Urządzenie i jego powierzchnie mogą być bardzo gorące podczas pracy.
- Drzwiczki i szyba zewnętrzna mogą być bardzo gorące podczas pracy.
- Upewnij się, że zasilanie z domowej sieci elektrycznej jest zgodne z informacjami podanymi na tabliczce znamionowej urządzenia.
- Jedynym sposobem odłączenia urządzenia od zasilania jest wyjęcie wtyczki z gniazdka.
- Używaj urządzenia tylko z uziemionym gniazdem.
- Nie używaj urządzenia, jeśli kabel zasilania lub wtyczka są uszkodzone.
- Z urządzeniem nie należy używać przedłużaczy.
- Nigdy nie dotykaj urządzenia ani wtyczki wilgotnymi lub mokrymi rękami.
- Ustaw urządzenie w taki sposób, aby wtyczka była zawsze dostępna.
- Aby zapobiec uszkodzeniu przewodu zasilającego, nie wolno dopuścić do jego ściskania, zginania

1 Ważne instrukcje dotyczące bezpieczeństwa i ochrony środowiska

- nia lub ocierania o ostre krawędzie. Trzymaj kabel zasilania dala od gorących powierzchni i otwartego ognia.
- Upewnij się, że nie ma niebezpieczeństwa przypadkowego pociągnięcia przewodu zasilającego lub potknięcia się o niego podczas użytkowania urządzenia.
 - Przed każdym czyszczeniem oraz gdy urządzenie nie jest używane należy odłączyć je od zasilania.
 - Nie ciągnąć za kabel zasilający urządzenia w celu odłączenia go od źródła zasilania i nigdy nie owijać go wokół urządzenia.
 - Nie zanurzaj urządzenia, przewodu zasilającego ani wtyczki w wodzie ani w innych cieczach. Nie myć pod bieżącą wodą.
 - Podczas odgrzewania jedzenia w plastikowych lub papierowych pojemnikach, zwracaj na urządzenie szczególną uwagę ze względu na możliwy samozapłon.
 - Przed umieszczeniem pożywienia w kuchence usuń z niego druciki i/lub metalowe uchwyty z papierowych lub plastikowych torebek.
 - Jeśli z urządzenia wydostaje się dym, wyłącz je lub wyjmij wtyczkę z kontaktu, jeśli jest to bezpieczne, i nie otwieraj drzwiczek, aby zduścić ewentualne płomienie.
 - Nie używaj wnętrza kuchenki do przechowywania rzeczy. Jeśli kuchenka nie jest używana nie należy zostawiać w niej papierowych przedmiotów, materiałów do gotowania ani żywności,

1 Ważne instrukcje dotyczące bezpieczeństwa i ochrony środowiska

gdy nie jest używana.

- Aby uniknąć poparzeń, zawartość butelek do karmienia niemowląt i słoiczków z jedzeniem powinna zostać wymieszana lub wstrząśnięta, a temperatura pożywienia sprawdzona przed jedzeniem.
- Niniejsze urządzenie należy do grupy 2 klasy B ISM. Grupa 2 obejmuje cały sprzęt ISM (przemysłowy, naukowy i medyczny), w którym energia o częstotliwości radiowej jest celowo generowana i/lub wykorzystywana w postaci promieniowania elektromagnetycznego do obróbki materiałów oraz sprzęt do erozji iskrowej.
- Sprzęt klasy B nadaje się do użytku w domach i zakładach podłączonych bezpośrednio do sieci niskiego napięcia.
- Nie używaj oleju do gotowania w kuchence. Gorący olej może uszkodzić elementy i materiały piekarnika, a nawet spowodować oparzenia skóry.
- Potrawy z grubą skórką, np. ziemniaki, cukinie, jabłka i kasztany należy nakłuć.
- Urządzenie należy ustawić tak, aby tylna strona była skierowana w stronę ściany.
- Przed przenoszeniem urządzenia należy zabezpieczyć talerz obrotowy, aby zapobiec uszkodzeniu.
- Jajka w skorupkach i jajka gotowane na twardo nie powinny być podgrzewane w mikrofalówkach, gdyż mogą one eksplodować, nawet po skończeniu podgrzewania.

1 Ważne instrukcje dotyczące bezpieczeństwa i ochrony środowiska

OSTRZEŻENIE: Jeśli drzwiczki lub uszczelki są uszkodzone, kuchenka nie może być używana, aż do czasu jej naprawienia przez fachowca.

O S T R Z E Ż E N I E : Serwisowanie i naprawy urządzenia, polegające na zdejmowaniu przez osoby niekompetentne osłony chroniącej przed energią mikrofalową, jest niebezpieczne.

OSTRZEŻENIE: Płyny i inne jedzenie nie mogą być podgrzewane w zamkniętych pojemnikach, gdyż mogą one eksplodować.

- Wnętrze mikrofalówki powinno być regularnie czyszczone, a jakiegokolwiek pozostałości jedzenia usuwane.
- Nad górną powierzchnią kuchenki powinno być co najmniej 20 cm wolnej przestrzeni.

- Nie przegrzewaj potraw; w przeciwnym razie możesz spowodować pożar.
- Nie używaj środków chemicznych ani środków czyszczących wspomaganych parą do czyszczenia urządzenia.
- Zaleca się szczególną ostrożność podczas używania urządzenia w pobliżu dzieci i osób o ograniczonych zdolnościach fizycznych, sensorycznych lub umysłowych.
- Urządzenie może być używane przez dzieci w wieku 8 lat lub starsze oraz przez osoby o ograniczonej sprawności fizycznej, sensorycznej lub umysłowej lub nieposiadające wiedzy i doświadczenia, pod warunkiem, że są one nadzorowane w zakresie bezpiecznego użytkowania produktu

1 Ważne instrukcje dotyczące bezpieczeństwa i ochrony środowiska

lub zostały odpowiednio poinstruowani lub rozumieją ryzyko związane z używaniem produktu. Dzieci nie mogą bawić się tym urządzeniem. Czyszczenie i konserwacja nie mogą być wykonywane przez dzieci bez nadzoru.

- Niebezpieczeństwo zadławienia! Wszystkie opakowania należy przechowywać poza zasięgiem dzieci.
- Ze względu na nadmierne ciepło powstające podczas grillowania i trybu kombinowanego, dzieci powinny mieć możliwość korzystania z tych trybów wyłącznie pod nadzorem osoby dorosłej.
- Przechowuj urządzenie i kabel zasilający tak, aby były niedostępne dla dzieci poniżej 8 roku

życia.

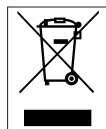
- Nie gotuj potraw bezpośrednio na szklanej podstawce. Umieść jedzenie w/na odpowiednich naczyniach kuchennych przed włożeniem ich do kuchenki.
- Podczas gotowania w kuchenke mikrofalowej nie wolno używać metalowych pojemników na żywność i napoje. W przeciwnym razie może wystąpić iskrzenie.
- Produkt nie jest przeznaczony do obudowy. Nie należy umieszczać produktu w szafce lub pudełku, gdy jest używany.
- Kuchenki mikrofalowej nie wolno umieszczać w szafce, która nie jest zgodna z instrukcją montażu.
- Kuchenka mikrofalowa jest przeznaczona wyłącznie do zabudowy.

1 Ważne instrukcje dotyczące bezpieczeństwa i ochrony środowiska

- Jeśli urządzenia do zabudowy są używane na wysokości 900mm nad podłogą lub wyżej, należy uważać, aby nie przemieszczać talerza obrotowego podczas wyjmowania pojemników z urządzenia.
- Jeśli produkt do zabudowy znajduje się w szafce z drzwiami, należy go obsługiwać przy otwartych drzwiach szafki.

1.2 Zgodność z dyrektywą WEEE i usuwanie odpadów:

Wyrób ten jest zgodny z dyrektywą WEEE Unii Europejskiej (2012/19/UE). Wyrób ten jest oznaczony symbolem klasyfikacyjnym dla zużytego sprzętu elektrycznego i elektronicznego (WEEE).



Ten symbol oznacza, że sprzęt nie może być umieszczany łącznie z innymi odpadami gospodarstwa domowego po okresie jego użytkowania.

Zużyte urządzenie należy oddać do specjalnego punktu zbiórki zużytego sprzętu elektrycznego i elektronicznego w celu utylizacji. Aby uzyskać informacje o punktach zbiórki w swojej okolicy należy skontaktować się z lokalnymi władzami

lub punktem sprzedaży tego produktu. Gospodarstwo domowe spełnia ważną rolę w przyczynianiu się do ponownego użycia i odzysku zużytego sprzętu. Odpowiednie postępowanie ze zużyтым sprzętem zapobiega potencjalnym negatywnym konsekwencjom dla środowiska naturalnego i ludzkiego zdrowia.

1.3 Zgodność z dyrektywą RoHS:

Niniejszy wyrób jest zgodny z dyrektywą Parlamentu Europejskiego i Rady RoHS (Ograniczenie użycia substancji niebezpiecznych) (2011/65/WE). Nie zawiera szkodliwych i zakazanych materiałów, podanych w tej dyrektywie.

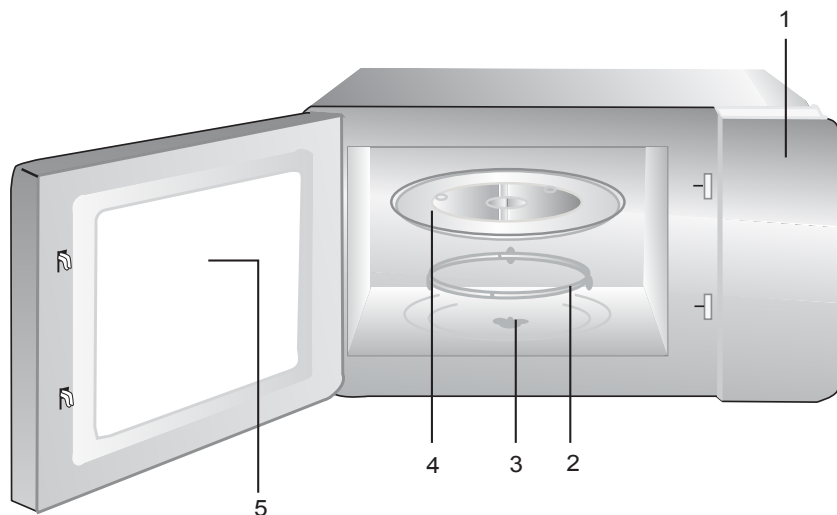
1.4 Informacje o opakowaniu



Opakowanie tego wyrobu wykonano z materiałów nadających się do recyklingu, zgodnie z naszym ustawodawstwem krajowym. Nie wyrzucaj materiałów opakowaniowych do śmieci wraz z innymi odpadkami domowymi. Oddaj je w jednym z wyznaczonych przez władze lokalne punktów zbiórki materiałów opakowaniowych.

2 Specyfikacje techniczne urządzenia

2.1 Omówienie



Sterowanie i części

1. Panel sterowania
2. Podstawa talerza obrotowego
3. Wałek talerza obrotowego
4. Szklany talerz
5. Okno kuchenki

2.2 Dane techniczne

Średnica talerza obrotowego	Ø 245 mm	
Wymiary zewnętrzne	595*344*388 mm	
Pojemność kuchenki	20l	
Waga netto	15.1 kg	
Kolor	Czarny	Biały

Model	BMOB 20202 B	BMOB 20202 W
Napięcie znamionowe	230V ~ 50Hz	
Moc wejściowa (mikrofalówka)	1250W	
Moc wyjściowa (mikrofalówka)	800 W	
Częstotliwość pracy	2450MHz	

Zastrzega się prawo do wprowadzania modyfikacji technicznych oraz modyfikacji konstrukcji.

Oznaczenia na urządzeniu lub wartości podane w innych dokumentach dostarczonych z produktem są wartościami uzyskanymi w warunkach laboratoryjnych zgodnie z odpowiednimi normami. Wartości te mogą się różnić w zależności od sposobu użytkowania urządzenia i warunków w jego otoczeniu.

2 Specyfikacje techniczne urządzenia

2.3 Instalacja talerza obrotowego

- Nigdy nie umieszczaj talerza szklanego dnem do góry. Szklany talerz nie powinien być nigdy unieruchamiany.
- Podczas gotowania należy zawsze używać zarówno talerza szklanego, jak i podstawy obrotowej.
- Na czas gotowania, wszystkie pojemniki z jedzeniem są zawsze umieszczane na szklanym talerzu.
- Gdy szklany talerz lub mechanizm obrotowy pękną lub się połamią, skontaktuj się z najbliższym autoryzowanym serwisem.



3 Instalacja i podłączenie

3.1 Montaż i podłączenie

- Usuń całe opakowanie i akcesoria. Sprawdź kuchenkę pod kątem uszkodzeń, takich jak wgniecenia czy wyłamane drzwi. Nie montuj kuchenki, jeśli jest uszkodzona.
- Usuń całą folię ochroną na powierzchni obudowy kuchenki mikrofalowej.
- Nie usuwaj jasnobrązowej pokrywy Mica, zamontowanej w komorze kuchenki, aby chronić magnetron.
- Zapoznaj się ze specjalnymi instrukcjami montażu.
- Urządzenie można zamontować w szafce o szerokości 60 cm przymocowanej do ściany (co najmniej 55 cm głębokości i 85 cm powyżej podłogi).
- Urządzenie jest wyposażone we wtyczkę i musi być podłączone do prawidłowo zamontowanego i uziemionego gniazdka.
- Napięcie w sieci musi odpowiadać podanemu na tabliczce znamionowej.

- Gniazdko musi być zamontowane, a kabel łączący może być wymieniany tylko przez autoryzowany personel serwisowy. Jeśli po zamontowaniu nie ma już dostępu do wtyczki, po stronie montażowej musi znajdować się rozłącznik dla wszystkich biegunów z odległością otwarcia styków przynajmniej 3 mm.
- Nie wolno używać adapterów, złotdziejek i przedłużaczy. Przeładowanie może skutkować ryzykiem pożaru.



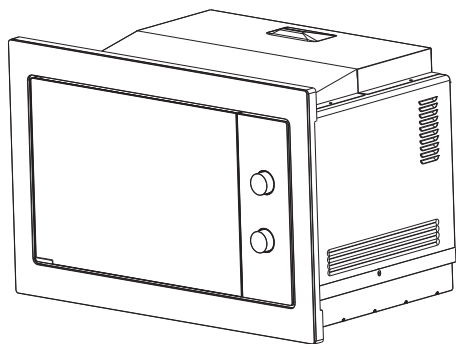
Dostępna powierzchnia może być gorąca w trakcie użytkowania.



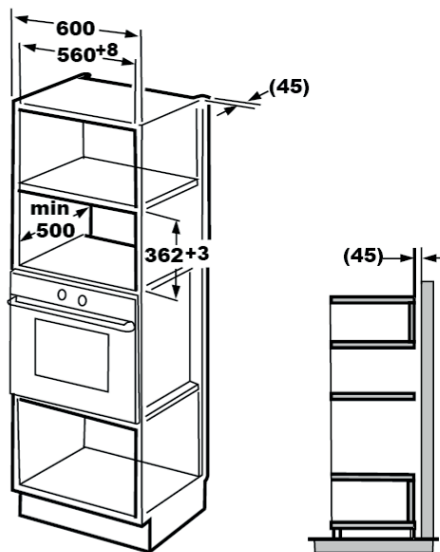
Nie ściskać ani nie zginać kabla zasilającego.

3 Instalacja i podłączenie

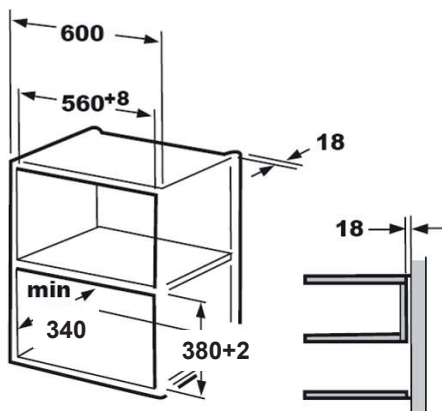
3.2 Montaż zabudowany i części



- Śruba A
- Płyta montażowa
- Śruba B
- Plastikowa osłona



3.3 Wbudowane meble

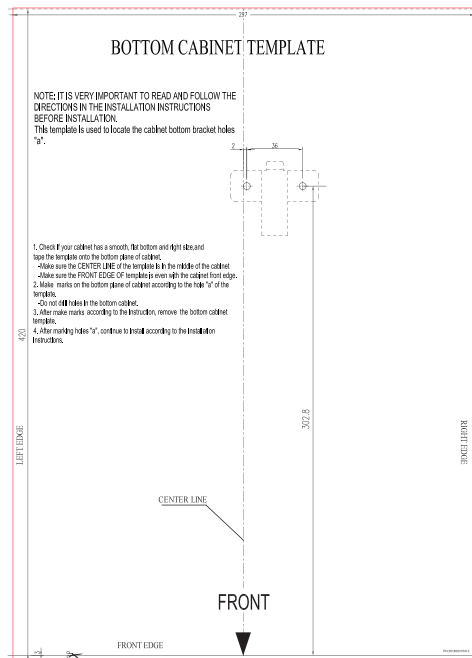
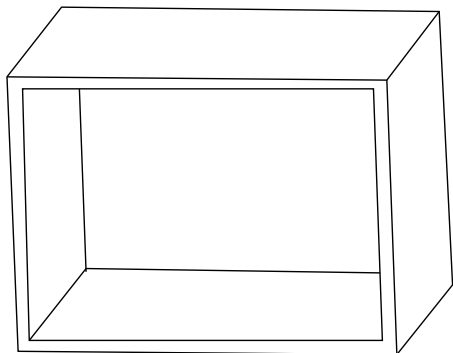


Wspornik i szablon szafki dolnej są potrzebne przy montażu w obu instalacjach.

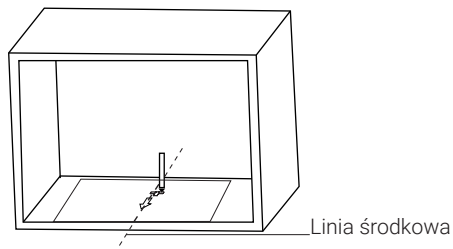
3 Instalacja i podłączenie

3.4 Przygotowanie szafki

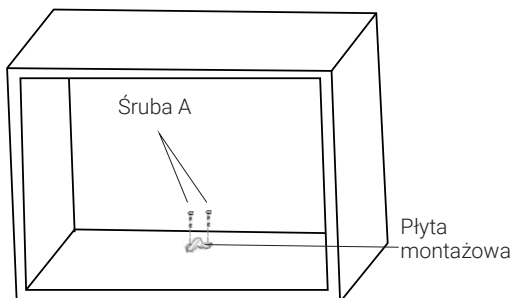
1. Przeczytaj instrukcję na szablonie spodu szafki i umieść szablon w dolnej płaszczyźnie szafki.



2. Na dolnej płaszczyźnie szafki zaznacz miejsca zgodnie z oznaczeniami „a” na szablonie.



3. Usuń szablon spodu szafki i zamontuj płytę montażową za pomocą śruby A.



3.5 Zainstaluj piekarnik

1. Zamontuj kuchenkę w szafce.

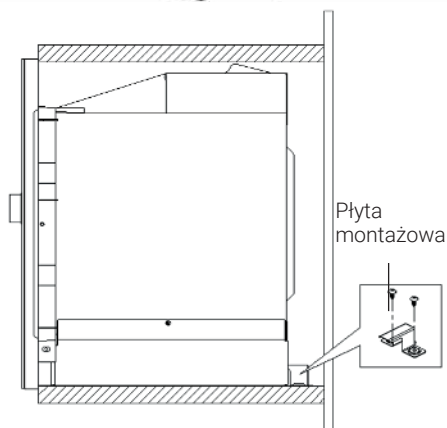
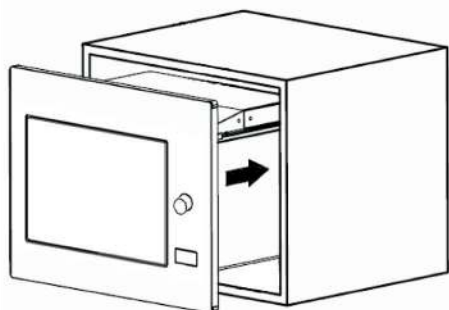


Tył kuchenki musi być koniecznie zablokowany przez płytę montażową.

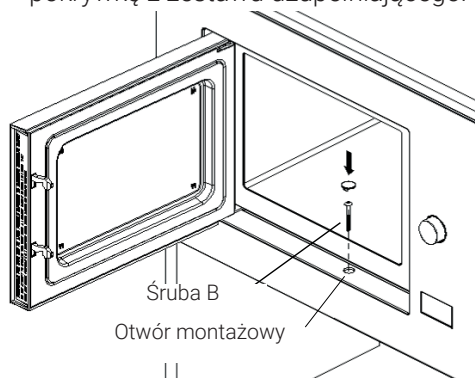


Nie ściskaj ani nie zginaj kabla zasilającego.

3 Instalacja i podłączenie

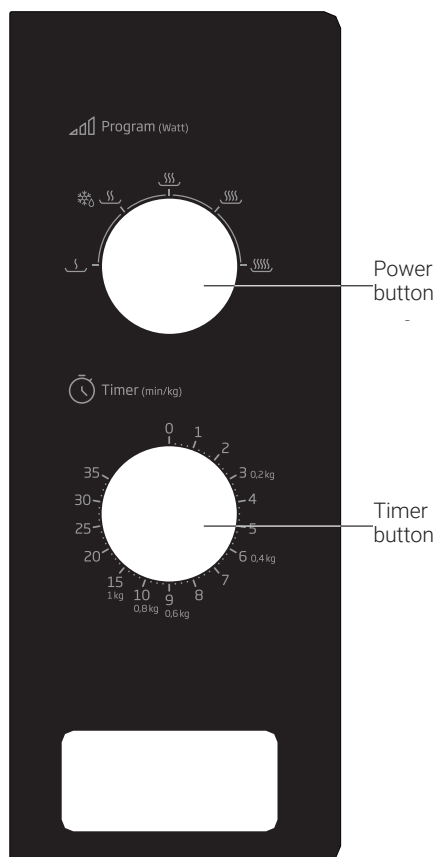


2. Otwórz drzwiczki, przymocuj kuchenkę do szafki za pomocą śruby poprzez otwór montażowy. Następnie załóż na otwór montażowy plastikową pokrywkę z zestawu uzupełniającego.



4 Obsługa urządzenia

4.1 Panel kontrolny



sygnał dźwiękowy.

5. Jeśli urządzenie nie jest używane, zawsze ustawiaj czas na „0”.

Funkcja/ Moc	Wyjściowa	Aplikacja
	17% micro.	Rozpuszcza lody
	33% micro.	Zupa gulaszowa, rozpuszcza masło lub rozmraża
	55% micro.	Gulasz, ryba
	77% micro.	Ryż, ryba, kurczak, mięso mielone
	100% micro.	Podgrzać np. mleko, warzywa, napój, zagotować wodę



Upewnij się, że podczas wyjmowania żywności z komory wyłącznik czasowy jest ustawiony na 0 (zero). Niezastosowanie się do tego zalecenia i używanie kuchenki mikrofalowej bez jedzenia w komorze może spowodować przegrzanie i uszkodzenie magnetronu.

4.2 Używać

1. Przekręć pokrętkę mocy na żądany poziom, aby ustawić moc gotowania,
2. Ustaw czas działania, przekręcając pokrętkę timera na żądaną wartość zgodnie z instrukcją gotowania.
3. Kuchenka mikrofalowa automatycznie rozpocznie pracę po ustawieniu poziomu mocy i czasu.
4. Po upływie wybranego czasu pracy urządzenie zatrzyma się, wydając

5 Czyszczenie i konserwacja

5.1 Czyszczenie



OSTRZEŻENIE: Do czyszczenia urządzenia nie wolno używać benzyny, rozpuszczalników, szorstkich środków czyszczących, przedmiotów metalowych ani twardych szczotek.



OSTRZEŻENIE: Nigdy nie zanurzaj urządzenia ani kabla zasilania w wodzie ani innych płynach.

1. Wyłącz urządzenie i odłącz je od gniazdka.
2. Poczekaj, aż urządzenie całkowicie ostygnie.
3. Utrzymuj wnętrze kuchenki w czystości. Wytrzyj ścianki mikrofalówki wilgotną szmatką, gdy przyskająca żywność lub rozlane płyny przykleją się do nich. W przypadku silnego zabrudzenia mikrofalówki można użyć łagodnego detergentu. Unikaj stosowania sprayów i innych agresywnych środków czyszczących, ponieważ mogą one powodować plamy, ślady i zmętnienie powierzchni drzwiczek.
4. Zewnętrzne powierzchnie mikrofalówki należy czyścić wilgotną szmatką. Nie pozwól, aby woda dostała się do otworów wentylacyjnych, aby zapobiec uszkodzeniu części roboczych mikrofalówki.
5. Często przecieraj obie strony drzwiczek i szybę, uszczelki drzwi i części w pobliżu uszczelek wilgotną ściereczką, aby usunąć plamy pozostawione przez wykipienie i rozpryskiwanie potraw. Nie używaj ściernych środków czyszczących.
6. Nie należy używać odkurzacza parowego.
7. Nie dopuszczaj do zamoczenia panelu sterowania. Czyść miękką wilgotną szmatką. Pozostaw drzwiczki mikrofalówki otwarte, aby zapobiec przypadkowemu uruchomieniu podczas czyszczenia panelu sterowania.
8. Jeśli para gromadzi się wewnątrz lub w okolicach drzwiczek, należy wytrzeć je miękką szmatką. Może się to zdarzyć, gdy kuchenka mikrofalowa pracuje w warunkach wysokiej wilgotności. Jest to normalne.
9. W niektórych przypadkach może być konieczne wyjęcie szklanego talerza do czyszczenia. Umyj talerz w ciepłej wodzie z mydłem lub w zmywarce.
10. Pierścień rolkowy i dno mikrofalówki należy regularnie czyścić, aby uniknąć nadmiernego hałasu. Wystarczy wytrzeć dolną powierzchnię mikrofalówki łagodnym detergentem. Pierścień rolkowy talerza obrotowego można myć w ciepłej wodzie z mydłem lub w zmywarce. Kiedy wyjmujesz pierścień rolkowy z mikrofalówki w celu jego wyczyszczenia, upewnij się, że wkładasz go z powrotem w prawidłowej pozycji.

5 Czyszczenie i konserwacja

11. Aby usunąć nieprzyjemne zapachy z mikrofalówki, włóż szklankę wody i soku oraz skórkę cytryny do głębokiej miski nadającej się do użytku w kuchence mikrofalowej i włącz mikrofalówkę na 5 minut w trybie mikrofalowym. Wytrzyj i wysusz dokładnie miękką szmatką.
12. W przypadku konieczności wymiany żarówki mikrofalówki należy skontaktować się z autoryzowanym serwisem.
13. Wnętrze mikrofalówki powinno być regularnie czyszczone, a jakiegokolwiek pozostałości jedzenia usuwane. Jeśli mikrofalówka nie jest utrzymywana w czystości, może to spowodować wady powierzchni, które negatywnie wpłyną na żywotność urządzenia i mogą spowodować zagrożenie.
14. Proszę nie wyrzucać tego urządzenia razem z odpadami domowymi; stare mikrofalówki należy oddawać do specjalnych składowisk odpadów zapewnianych przez gminy.
15. Podczas korzystania z kuchenki mikrofalowej w funkcji grilla może pojawić się niewielka ilość dymu i zapachu, które znikną po pewnym czasie użytkowania.

5.2 Przechowywanie

- Jeśli urządzenie nie będzie używane przez dłuższy czas, należy je starannie przechowywać.
- Proszę upewnić się, że urządzenie jest odłączone od sieci, ostudzone i całkowicie suche.
- Urządzenie należy przechowywać w chłodnym i suchym miejscu.
- Urządzenie należy trzymać poza zasięgiem dzieci.

5.3 Przenoszenie i transport

- Urządzenie należy przenosić i transportować w oryginalnym opakowaniu.
- Zabezpiecza ono urządzenie przed fizycznymi uszkodzeniami.
- Nie wolno umieszczać ciężkich ładunków na urządzeniu lub opakowaniu. Może to spowodować uszkodzenie urządzenia.

Problem	Prawdopodobna przyczyna	Rozwiązanie
Nie można włączyć kuchenki.	1) Kabel zasilający nie jest poprawnie włożony do gniazdka.	Wyjmij wtyczkę z gniazdka. Włóż ją z powrotem po 10 s.
	2) Bezpiecznik się przepalił lub został uruchomiony wyłącznik z bezpiecznikiem.	Wymień bezpiecznik lub zresetuj wyłącznik z bezpiecznikiem (naprawiony przez fachowy personel naszej firmy).
	3) Problem z gniazdkiem.	Przetestuj gniazdko z innymi urządzeniami elektrycznymi.
Kuchenka nie grzeje.	4) Drzwiczki nie są prawidłowo zamknięte.	Zamknij prawidłowo drzwiczki.
Jeśli żadne z powyższych rozwiązań nie rozwiąże problemu, skontaktuj się z wykwalifikowanym technikiem. Nie próbuj samodzielnie regulować ani naprawiać urządzenia.		

Drodzy Klienci,

Dziękujemy za zakup naszych produktów. Jesteśmy przekonani, że nasze urządzenia będą służyć przez lata. Każdy produkt firmy Beko jest objęty 2-letnim okresem gwarancji.

Warunki gwarancji Beko S.A. (małe urządzenia AGD)

BEKO spółka akcyjna z siedzibą w Warszawie (02-819), przy ulicy Puławskiej 366, wpisana do rejestru przedsiębiorców prowadzonego przez Sąd Rejonowy dla m.st. Warszawy w Warszawie, XIII Wydział Gospodarczy Krajowego Rejestru Sądowego, pod numerem: 0000078147 (dalej: „BEKO”) udziela gwarancji jakości (dalej: „Gwarancja”) na wprowadzone przez BEKO do obrotu na terenie Polski produkty marki BEKO (dalej: „Urządzenia”) osobom, które nabyły te produkty („Użytkownik”) na następujących warunkach:

I. ZAKRES OCHRONY.

BEKO gwarantuje, że Urządzenie zakupione przez Użytkownika jest wolne od wad produkcyjnych lub materiałowych, powstałych z przyczyn tkwiących w tym Urządzeniu (dalej: „Wada”), które ujawnią się w ciągu terminu określonego w części II. niniejszych Warunków Gwarancji (dalej: „Okres Gwarancyjny”).

W razie ujawnienia się Wady Produktu w trakcie Okresu Gwarancyjnego, zostanie ona usunięta na koszt BEKO w sposób uzależniony od właściwości wady, na zasadach i w zakresie określonym w niniejszych Warunkach Gwarancji.

BEKO zobowiązuje się do usunięcia Wady poprzez dokonanie nieodpłatnej naprawy lub wymiany Urządzenia, bądź też reklamacja zgłoszona na podstawie niniejszych Warunków Gwarancji zostanie rozpatrzona w inny sposób uzgodniony przez BEKO i Użytkownika.

Udzielona gwarancja jest ważna na terytorium Rzeczypospolitej Polskiej.

II. CZAS TRWANIA GWARANCJI.

Okres Gwarancyjny wynosi 24 miesiące licząc od daty zakupu Urządzenia przez pierwszego Użytkownika.

III. PROCEDURA ZGŁOSZENIA REKLAMACYJNEGO.

Wady Urządzenia ujawnione w Okresie Gwarancyjnym będą usuwane pod warunkiem przedstawienia przez Użytkownika dowodu zakupu tego Urządzenia zawierającego oznaczenia niezbędne do jego identyfikacji (model, datę zakupu).

Uprawnienia wynikające z niniejszych Warunków Gwarancji mogą być zrealizowane przez Użytkownika wyłącznie w Autoryzowanych Punktach Serwisowych BEKO (dalej: „Serwis”) po uprzednim dokonaniu zgłoszenia na Infolinii BEKO pod numerem telefonu: 22 250 14 14. Urządzenie powinno być odpowiednio zapakowane i zabezpieczone przez Użytkownika na czas transportu do punktu serwisowego Beko.

Wady Urządzenia będą usunięte w terminie 14 dni od daty zgłoszenia Wady na Infolinii BEKO. Jeżeli część zamienna wymieniana w ramach uprawnień wynikających z niniejszych Warunków Gwarancji Urządzenia jest sprowadzana z zagranicy, termin naprawy, o którym mowa w punkcie 5 powyżej, może ulec wydłużeniu jednak, nie więcej niż do 30 dni licząc

odpowiednio od daty zgłoszenia Wady na Infolinii BEKO. Informacje o spodziewanych terminach napraw dostępne są na Infolinii BEKO pod numerem 22 250 14 14. Po usunięciu Wady, Urządzenie zostanie dostarczone Użytkownikowi na koszt BEKO.

IV. WYŁĄCZENIA.

Warunkiem skorzystania z niniejszych Warunków Gwarancji jest:

- użytkowanie Urządzenia zgodnie z Instrukcją Obsługi dołączoną do tego Urządzenia i jego przeznaczeniem, jak również odpowiednie czyszczenie i konserwacje Urządzenia;
- użytkowanie w warunkach indywidualnego gospodarstwa domowego. Urządzenie nie jest używane do celów prowadzenia działalności gospodarczej lub w zastosowaniach eksploatacji masowej, w szczególności w gastronomicznej działalności hoteli, restauracji i innych obiektów turystyczno-rekreacyjnych lub zbiorowego żywienia. Stosowanie sprzętu zalecanego przez producenta; brak ingerencji w Urządzenie przez osoby do tego nieupoważnione; brak ingerencji w tabliczkę znamionową z numerem seryjnym Urządzenia.

Udzielona przez Beko Gwarancja nie obejmuje:

- wad powstałych z przyczyn innych niż tkwiące w Urządzeniu;
- normalnego zużycia elementów eksploatacyjnych tj. akumulatory, baterie, noże, filtry, żarówki, szczotki, itp.;
- czynności przewidzianych w Instrukcji Obsługi, do wykonania których zobowiązany jest Użytkownik Urządzenia we własnym zakresie i na swój koszt, w tym: instruktażu dotyczącego obsługi Urządzenia, instalacji oraz regulacji urządzenia.
- usterek powstałych w wyniku nieprawidłowego lub niewłaściwego użytkowania, niedbalstwa, przypadkowego uszkodzenia Urządzenia, nieodpowiedniego napięcia prądu lub dokonania jakichkolwiek zmian, które mają wpływ na niewłaściwe działanie Urządzenia, i które naprawiane były przez osoby nieupoważnione, używania instalacji niezgodnych z odpowiednimi Polskimi Normami i innych niż wymienione w Instrukcji Obsługi Urządzenia; uszkodzeń mechanicznych, termicznych, chemicznych, korozji, innych uszkodzeń spowodowanych działaniem lub zaniedbaniem Użytkownika lub powstałych na skutek działania sił zewnętrznych (do których zalicza się w szczególności wyładowania atmosferyczne, skoki napięcia, wszystkiego rodzaju awarie domowej instalacji wodno-kanalizacyjnej, itp.), a także powstałych na skutek przedostania się zanieczyszczeń lub ciał obcych do Urządzenia, zakamienienia (proces odkamieniania musi być przeprowadzany zgodnie z instrukcją obsługi z użyciem odpowiednich środków czyszczących) elementów ze szkła, plastiku oraz porcelany; odbarwień Urządzenia lub poszczególnych jego części;
- usterek powstałych na skutek przechowywania i użytkowania Urządzenia w warunkach, które są niezgodne z normalnymi warunkami domowymi określonymi wymaganiami powszechnie obowiązujących przepisów prawa i odpowiednich Polskich Norm;

V. POZOSTAŁE POSTANOWIENIA.

Niniejsze warunki gwarancji mają zastosowanie do Urządzeń zakupionych od dnia 01.03.2019 r. Gwarant oświadcza, że niniejsza Gwarancja jest udzielana Użytkownikowi dodatkowo i nie wyłącza, nie ogranicza ani nie zawiesza uprawnień Użytkownika wynikających z przepisów o rękojmi za wady rzeczy sprzedanej na podstawie Kodeksu cywilnego.

Arçelik A.Ş.
Karaağaç Caddesi No: 2-6, 34445,
Sütlüce, İstanbul, Türkiye

www.beko.com