



EN ■ Humidifier

Translation of the original manual

READ CAREFULLY AND STORE FOR FUTURE USE.**General warnings**

- This appliance may be used by children 8 years of age and older and by persons with physical or mental impairments or by inexperienced persons, if they are properly supervised or have been informed about how to use the product in a safe manner and understand the potential dangers.
- Children must not play with the appliance. Cleaning and maintenance performed by the user must not be performed by unsupervised children.
- In the event that the power cord is damaged, have it repaired at a professional service centre to prevent causing a dangerous situation. It is forbidden to use the appliance if it has a damaged power cord.
- Always only fill only to the marked maximum water level mark. Never fill the water past the maximum mark.
- When filling, cleaning and removing limescale deposits, proceed according to the instructions in this user's manual.
- Be especially careful when using the appliance since it generates steam.
- When filling or cleaning the appliance, disconnect it by pulling the power plug out of the power socket.
- Understand that high levels of moisture may facilitate the growth of biological organisms in the environment.
- Do not permit the area around the humidifier to become damp or wet. In the event that this happens, set the humidifier to a lower power level. In the event that it

is not possible to lower the power of the humidifier, use the humidifier intermittently. Do not permit absorptive materials such as carpets, curtains, drapes or table cloths to become wet.

- Never leave water in the water tank when the appliance is not being used.
- Empty out and clean the humidifier before storing it. Clean the humidifier before using it again.



WARNING:

The microorganism that may be present in the water or the environment where the appliance is used or stored, may multiply in the water tank and after being dispersed in the air may result in serious health risks, unless the water is changed and the water tank regularly correctly cleaned every 3 days.

- Keep the appliance out of children's reach. Steam and boiling water may cause scalding.

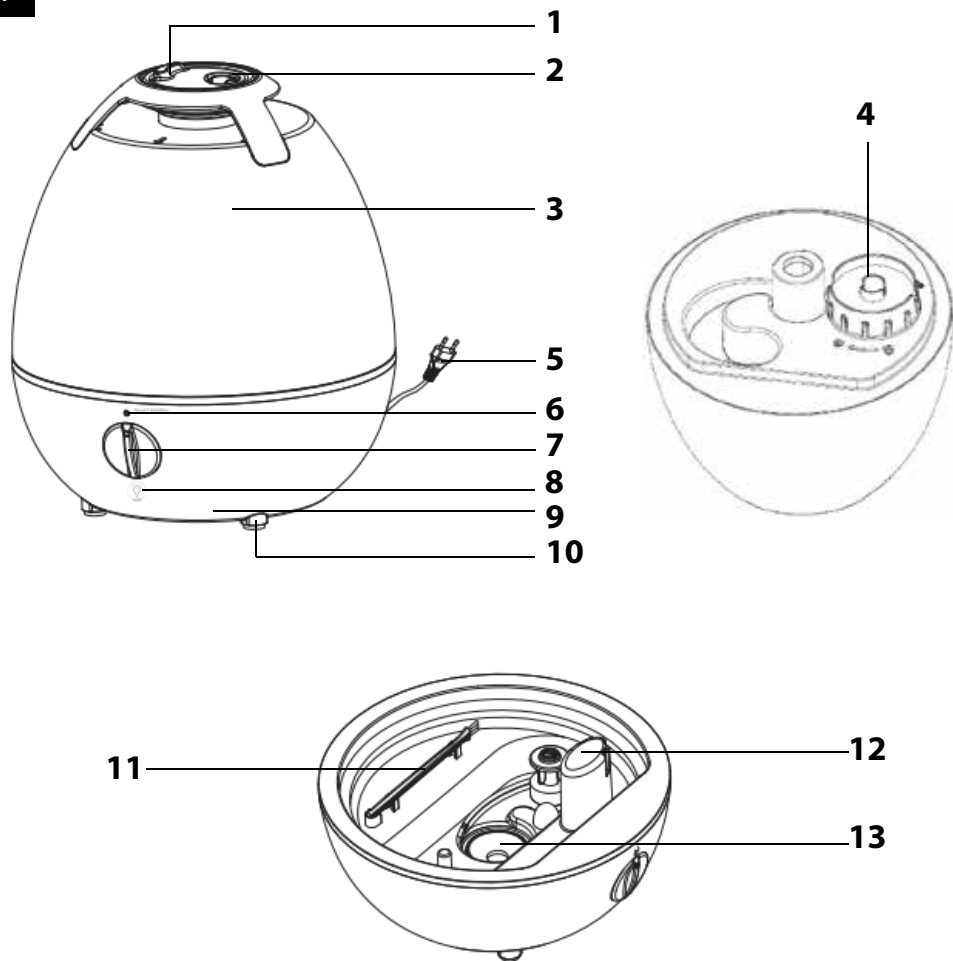


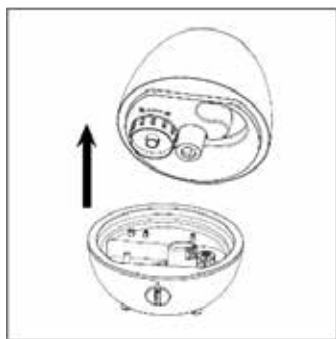
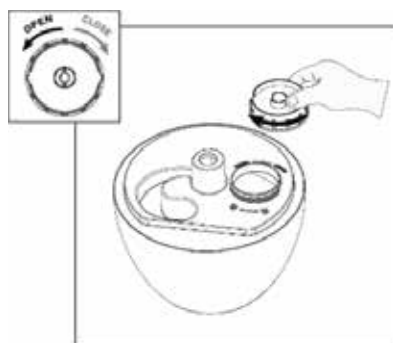
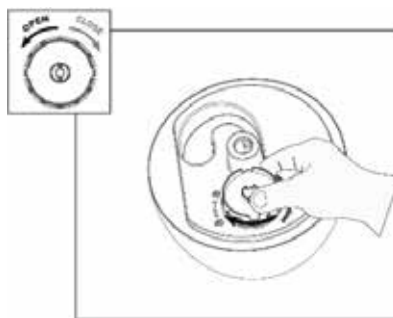
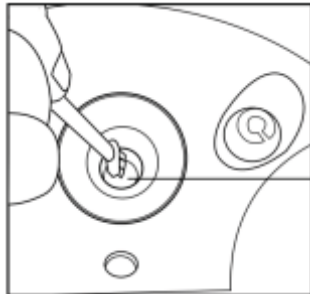
Clean the water tank every 3 days.

- Before connecting the appliance to a power socket, check that the technical details on its rating label match the electrical voltage in the socket.
- Ensure that the power socket is properly grounded.
- Guide the power cord so that nobody can trip over or step on it, to prevent its damage and tilting over of the appliance in the event that the power cord is pulled.
- The appliance is designed for use in households, offices or similar types of areas.
- Always install the appliance on an even, dry and stable surface.
- Do not place the appliance in the vicinity of an open flame, gas appliances or devices that are sources of heat and do not expose it to direct sunlight.
- Do not place any items on the appliance, do not sit or stand on the appliance.
- Do not use the appliance in rooms where there is a risk of flammable gases or chemical vapours leaking or in rooms that are very dusty. When the appliance is running, it must be located at a sufficient distance from curtains or drapes and at least 2 metres from electrical or electronic devices or materials sensitive to moisture in order not to damage them by the effect of increased humidity.
- Do not use the appliance in locations or rooms where insecticides, oil-based or chemical agents were used, or where a fragrance stick was lit.
- Always use original parts and accessories specified by the manufacturer. Never replace any part of this appliance with parts or accessories from another manufacturer.
- Only fill the water tank with clean cold water without any additions. Do not pour water into the water tank through the steam outlet. Do not pour hot water into the water tank.
- Do not drink the water from the water tank, do not water flowers with it or provide it as drinking water to household pets. Always pour out any unused water contained in the water tank down the sink or drain.
- Before putting the appliance into operation, check that it is properly assembled and that the water tank is filled.
- Do not cover the appliance when it is in operation, particularly the steam outlets. Do not place any items into the steam outlets or into the vents. Make sure that these openings are not blocked by foreign objects.

- As a result of increased humidity in the room, water may condensate on window panes or interior furnishings. If this situation arises, turn the appliance off.
- Never tilt the appliance, move the appliance, disassemble or add water into an empty water tank, when it is in operation.
- In the event that you need to move, clean or disassemble the appliance or add water to the water tank, always first turn it off and wait for it to cool down and then disconnect the power plug from the power socket.
- Clean the water tank every week. In the event of more frequent use, you may also clean it twice per week.
- Do not use cleaning products, petrol, window cleaners, furniture cleaning agents, solvents or any other chemical agents to clean the appliance.
- Be especially careful not to spill water when carrying the appliance with water in the water tank.
- To avoid potential injury by electrical shock, do not submerge any part of the appliance's base unit in water or any other liquid.
- Do not disconnect the appliance from the power socket by pulling on the power cord. This could damage it or the power socket. Always disconnect by gently pulling the plug of the power cord.
- Do not use the appliance if it is damaged, if the appliance has a damaged power cord or power plug.
- In no case should you attempt to repair the appliance yourself, do not make any modifications to it – danger of injury by electrical shock! Entrust all repairs and adjustments to a specialised company/service. Failure to do so will expose you to the risk of voiding the warranty policy.

A



B1**B3****B3****B4****C**

EN Humidifier

User's manual

- Prior to using this appliance, please read the user's manual thoroughly, even in cases, when one has already familiarised themselves with previous use of similar types of appliances. Only use the appliance in the manner described in this user's manual. Keep this user's manual in a safe place where it can be easily retrieved for future use.
- We recommend saving the original cardboard box, packaging material, purchase receipt and responsibility statement of the vendor or warranty card for at least the duration of the legal liability for unsatisfactory performance or quality. In the event of transportation, we recommend that you pack the appliance in the original box from the manufacturer.

DESCRIPTION OF THE APPLIANCE

- | | |
|---|--|
| A1 Steam outlet | A7 Power control knob / off / speed selection |
| A2 Pillow for applying drops of aromatic oil | A8 Water tank illumination button |
| A3 Water tank | A9 Base unit |
| A4 Filling opening cap on the water tank | A10 Anti-slip feet |
| A5 Power cord | A11 Cleaning brush |
| A6 Power indicator light / low water level in water tank | A12 Air outlet |
| | A13 Ultrasound disc |

BEFORE FIRST USE

- Before first use, take the appliance and its accessories out of the packaging material and remove all promotional labels and stickers. Check that neither the appliance nor any of its parts is damaged.

Filling the water tank

1. Make sure that the power cord **A5** is disconnected from the power socket.
2. Carefully take the water tank **A3** off the base unit **A9** – see figure **B1**.
3. Turn the water tank **A3** upside down and screw out the cap **A4** – see figure **B2**.
4. Pour clean cold water into the water tank **A3** – see figure **B3**.
5. Screw on the cap **A4** – see figure **B4**. Check that it is tightened firmly to prevent water from leaking. Turn the water tank over **A3** so that the cap **A4** is pointing downwards. If no water is leaking from the water tank **A3**, then the cap **A4** is properly tightened.
6. Put it back on the base unit **A9**.

Turning the humidifier on / off and selecting the speed

1. Position the humidifier on a dry, even and water-resistant surface approx. 15 cm away from walls and other objects. Ensure that there is sufficient free space around the appliance. Do not place the humidifier on carpets, towels, blankets or other absorptive materials.
2. Insert the power plug **A5** into a properly grounded power socket.
3. Turn the control knob **A7** to the right to turn on the humidifier. Power on is indicated by the emission of steam.
4. Turn the control knob **A7** to the right to set the speed. Turn it towards "MAX" to increase the speed, turn it away from "MAX" to reduce the speed.
5. When not using the humidifier, turn the control knob **A7** to the left to "ON/OFF" to turn it off.

Power indicator light / low water level in water tank

- The indicator light **A6** is lit green when the humidifier is turned on.
- When the water level in the water tank **A3** falls, the indicator light **A6** will be lit red. Likewise, the illumination of the water tank will also turn off.
- Add water to the water tank **A3** according to the instructions in section "Filling the water tank". When operation resumes, the illumination of the water tank will remain turned off.

Warning:

Never remove the water tank **A3** from the base unit **A9** while the humidifier is running. This would automatically turn off the humidifier and creates a risk of its irreversible damage, risk of a dangerous situation arising and risk of injury.

Turning on / off the water tank illumination

- The water tank illumination can only be turned on / off when the humidifier is turned on, and in the following order:
- **First press of button A8:** the illumination of the water tank is turned on and the colours will change in 5-second intervals.
- **Second press of button A8:** the illumination of the water tank will turn on in the colour in which button **A8** was pressed.
- **Third press of button A8:** the illumination of the water tank will turn off.

Setting the direction of outflowing steam

- The direction of the outflowing steam can be adjusted within an angle of 360° by turning the steam outlet nozzle **A1**.

Aromatic oil

- This humidifier has been designed to enable the use of aromatic oil in it. Next to the steam outlet there is a special pillow **A2**, on to which drops of aromatic oil can be applied. **ALWAYS USE ONLY 3 DROPS OF AROMATIC OIL.**



Warning:

Under no condition pour aromatic oil into the water tank **A3** or into the base unit **A9**. This risks damaging the inner parts of the humidifier.

CLEANING AND MAINTENANCE

- Disconnect the power plug from the power socket and allow the appliance to cool down before cleaning it.
- Adhere to the following instructions relating to the cleaning and maintenance of the humidifier. Otherwise its performance may be negatively affected and undesirable microorganisms may multiply inside.



Warning:

To prevent the risk of injury by electrical shock, do not submerge the appliance, the power plug or its power cord in water or any another liquid.

Clean after every use

1. Turn off the humidifier and disconnect the power cord **A5** from the power socket.
2. Take the water tank **A3** off the base unit **A9**.
3. Screw off the cap **A4** and pour any remaining water out into the sink or down the drain.
4. Rinse out the water tank using clean water and remove any dirt or deposits out of it.
5. Wipe it with a dry wiping cloth.
6. To clean the base unit **A9**, use a clean soft wiping cloth lightly dampened in warm water. Wipe dry using a clean wiping cloth.



Note:

For cleaning, do not use cleaning products with an abrasive effect, solvents, etc. that could damage the appliance. No part of this appliance is intended for washing in a dishwasher.



Warning:

Do not leave water inside the water tank **A3** for an extended period of time.

Removing limescale deposits

- Depending on the hardness of the water that is used and the frequency of use, we recommend regularly removing water scale deposits, at least once per week. Limescale deposits can negatively affect the operation of the humidifier and its lifetime.
- In the event that your water is too hard, we recommend using distilled water.

1. Turn off the humidifier and disconnect the power cord **A5** from the power socket.
2. Take the water tank **A3** off the base unit **A9**.
3. Screw off the cap **A4** and pour any remaining water out into the sink or down the drain.
4. Fill the water tank **A3** with one cup of white vinegar (approx. 200 ml) and allow it to act for 15 minutes. Using a cleaning brush with soft bristles, you can remove limescale deposits that have accumulated inside the water tank **A3**.
5. Pour out the contents of the water tank **A3** into a sink or down the drain and rinse out the water tank **A3** using clean cold water.
6. Wipe it with a dry wiping cloth.

Cleaning the ultrasound disc

1. Turn off the humidifier and disconnect the power cord **A5** from the power socket.
2. Take the water tank **A3** off the base unit **A9**.
3. For cleaning the ultrasound disc **A13**, use only the supplied cleaning brush **A11**.
4. Carefully wipe the disc **A13** with the cleaning brush **A11** to remove any dust and dirt that is on it – see figure **C**.

Warning:

Do not push on the cleaning brush **A11** so that you do not scratch or damage the disc **A13**.



Storage

- When not using the appliance for an extended period of time, disconnect the power cord **A5** from the socket, allow the appliance to cool down and clean it according to the instruction above.
- Before storing it, check that the appliance and all its accessories are thoroughly clean and dry, and that there is no water in the water tank **A3**.
- Store the appliance in a dry, clean and well-ventilated location not exposed to extreme temperatures and out of children's reach.

Troubleshooting

Problem	Cause	Solution
The humidifier is not generating steam.	The power cord is A5 not connected.	Insert the power cord A5 into the power socket.
The humidifier is turned on but no steam is generated.	There is not enough water in the water tank A3 .	Fill up the water tank A3 with clean cold water.
	There is too much water in the water tank A3 .	Pour out the excess water.
The steam has an unpleasant odour.	The humidifier is new.	Open the cap A4 and allow the water tank A3 to air out for approx. 12 hours in a dark dry location.
	There is dirty water inside the water tank A3 or it has been there too long.	Empty out the water tank A3 , clean it out and fill it with clean cold water.
The humidifier generates very little steam.	The ultrasound disc A9 is dirty.	Remove the dirt and soils according to the instructions in section " Cleaning the ultrasound disc ".
	There is dirty water inside the water tank A3 or it has been there too long.	Empty out the water tank A3 , clean it out and fill it with clean cold water.
The humidifier is making an unpleasant noise.	There is not enough water in the water tank A3 .	Fill up the water tank A3 with clean cold water.
	The humidifier is located on an unstable surface.	Move the humidifier to an even, dry surface.
It is not possible to open the cap A4 .	The cap A4 has been screwed too tight.	Apply a few drops of liquid soap underneath the cap A4 to release it.



Note:

In the event that the above do not describe your problem or if any of the describe problems persist, turn off the humidifier and stop using it. The humidifier does not contain any parts that the user can repair themselves. Contact an authorised service centre.

TECHNICAL SPECIFICATIONS

Humidifier

Rated voltage.....	100–240 V~
Rated frequency.....	50/60 Hz
Rated power input.....	25 W
Noise level	41 dB(A)
Water tank capacity.....	3.5 l
Humidifier output.....	250 ml/h
Operating time per single water tank.....	approx. 60 hours (low speed)
Recommended room area.....	38 m ²
Dimensions (l x w x h).....	22.9 x 22 x 25.2 cm
Length of power cord	150 cm
Weight.....	1.07 kg

The declared noise emission level of the appliance is 41 dB(A), which represents a level A of acoustic power with respect to a reference acoustic power of 1 pW.

Safety class for electrical shock protection:



Class II – Electrical shock protection is provided by double or heavy-duty insulation.

We reserve the right to change text and technical specifications.

INSTRUCTIONS AND INFORMATION REGARDING THE DISPOSAL OF USED PACKAGING MATERIALS

Dispose of used packaging material at a site designated for waste in your municipality.

DISPOSAL OF USED ELECTRICAL AND ELECTRONIC EQUIPMENT



This symbol on products or original documents means that used electric or electronic products must not be added to ordinary municipal waste. For proper disposal, renewal and recycling, hand over these appliances to determined collection points. Alternatively, in some European Union states or other European countries you may return your appliances to the local retailer when buying an equivalent new appliance.

Correct disposal of this product helps save valuable natural resources and prevents potential negative effects on the environment and human health, which could result from improper waste disposal. Ask your local authorities or collection facility for more details.

In accordance with national regulations penalties may be imposed for the incorrect disposal of this type of waste.

For business entities in European Union states

If you want to dispose of electric or electronic equipment, ask your retailer or supplier for the necessary information.

Disposal in other countries outside the European Union.

This symbol is valid in the European Union. If you wish to dispose of this product, request the necessary information about the correct disposal method from the local council or from your retailer.



This product meets all the basic requirements of EU directives related to it.