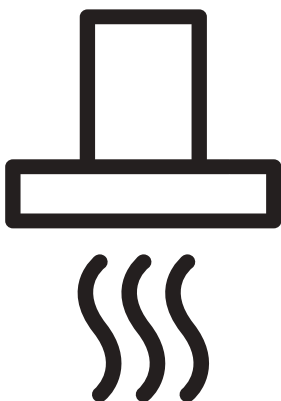




## Cooker Hood

User Manual



HNT 61311 X  
HNT 61311 XH  
HNT 61310 BH  
HNT 61310 WH

EN - RO - BS - CS - NL - ET - FR - DE - EL - HU



01M-9209893200-4123-01  
01M-9209863200-4123-01  
01M-9210413200-4123-01  
01M-9210423200-4123-01

# CONTENTS

---

<b>ENGLISH</b>	<b>03-14</b>
<b>ROMÂNĂ</b>	<b>15-30</b>
<b>BOSANSKI</b>	<b>31-42</b>
<b>ČESKY</b>	<b>43-54</b>
<b>NEDERLANDS</b>	<b>55-67</b>
<b>EESTI</b>	<b>68-78</b>
<b>FRANÇAIS</b>	<b>79-92</b>
<b>DEUTSCH</b>	<b>93-106</b>
<b>ΕΛΛΗΝΙΚΑ</b>	<b>107-120</b>
<b>MAGYAR</b>	<b>121-132</b>

# Please read this user manual first!

Dear Valued Customer,

Thank you for preferring this Beko appliance. We hope that you get the best results from your appliance which has been manufactured with high quality and state-of-the-art technology. For this reason, please read this entire user manual and all other accompanying documents carefully before using the appliance and keep it as a reference for future use. If you handover the appliance to someone else, give the user manual as well. Follow the instructions by paying attention to all the information and warnings in the user manual.

Remember that this user manual may also apply to other models. Differences between models are explicitly described in the manual.

## Meanings of the Symbols

Following symbols are used in various sections of this user manual:



Important information and useful hints about usage.



**WARNING:** Warnings against dangerous situations concerning the security of life and property.



**WARNING:** Warning for danger of fire.



**WARNING:** Warning for electric shock.

# 1 Important safety and environmental instructions

## 1.1 General safety

**Important Safety Instructions Read Carefully And Keep For Future Reference** This section contains safety instructions that will help protect from risk of fire, electric shock, exposure to leak microwave energy, personal injury or property damage. Failure to follow these instructions shall void any warranty.

- Beko products comply with the applicable safety standards; therefore, in case of any damage on the appliance or power cable, it should be repaired or replaced by the dealer, service center or a specialist and authorized service alike to avoid any danger. Faulty or unqualified repair work may be dangerous and cause risk to the user.
- This appliance is intended to be used in household and similar applications such as:
  - Staff kitchen areas in shops, offices and other working environments;
  - Farm houses
  - By clients in hotels, and other residential type environments;
  - Bed and Breakfast type environments.
- Operate the appliance for its intended purpose only as described in this manual.
- The manufacturer cannot be held liable for damages resulting from improper installation or misuse of the product.
- This appliance can be used by children aged from 8 years and above and persons with reduced physical, sensory or mental capabilities or lack of experience and knowledge if they have been given supervision or instruction concerning use of the appliance in a safe way and

# 1 Important safety and environmental instructions

understand the hazards involved.

- Children shall not be allowed play with the appliance. Cleaning and user maintenance shall not be made by children without supervision.
- The minimum distance between the supporting surface for the cooking vessels on the hob and the lowest part of your product must be at least 65 cm.
- If the instructions for installation for the gas hob specify a greater distance, this has to be taken into account.
- Make sure that your mains power supply complies with the information supplied on the rating plate of the appliance.
- Never use the appliance if the power cable or the appliance itself is damaged.
- Prevent damage to the power cable by not squeez-

ing, bending, or rubbing it on sharp edges. Keep the power cable away from hot surfaces and naked flame.

- Use the appliance with a grounded outlet only.

**WARNING:** Do not connect the appliance to the mains until the installation is fully complete.

- Place the appliance in a way so that the plug is always accessible.
- Do not touch the lamps if they have operated for a long time. They can burn your hands since they will be hot.
- Follow the regulations set out by competent authorities on discharge of the exhaust air (this warning is not applicable for use without flue).
- Operate your appliance after putting a pot, pan etc. on the hob. Otherwise, high heat may cause deformation in some parts

# 1 Important safety and environmental instructions

of your product.

- Turn off the hob before taking the pot, pan etc. from it.
- Do not leave hot oil on the hob. Pans with hot oil may cause self combustion.
- Pay attention to your curtains and covers since oil may catch fire while cooking food such as fries.
- Grease filter must be cleaned at least monthly. Carbon filter must be replaced at least every 3 months.
- Product shall be cleaned accordance with user manual. If cleaning was not carried out in accordance with user manual, there may be fire risk.
- Do not use non-fire-resistant filtering materials instead of the current filter.
- Only use the original parts or parts recommended by the manufacturer.
- Do not operate the product without the filter and do not remove the filters while the product is running.
- In the event of be started any flame, de-energize your product and cooking appliances.
- In the event of be started any flame, cover the flame and never use water to extinguish.
- Unplug the appliance before each cleaning and when the appliance is not in use.
- The negative pressure in the environment should not exceed 4 Pa ( $4 \times 10^{-2}$  bar) while the hood for electric hob and appliances running on another type of energy but electricity operate simultaneously.
- In the environment where the appliance is being used, the exhaust of devices running on fuel oil or gas, such as room heater must be absolutely iso-

# 1 Important safety and environmental instructions

lated or device must be hermetical type.

- When connecting the flue, use pipes with a diameter of 120 or 150 mm. Pipe connection must be as short as possible and have as few elbows as possible.
- Danger of choking! Keep all the packaging materials away from children.

**CAUTION:** Accessible parts may become hot when used with cooking appliances.

- The product outlet must not be connected to air channels that include other smoke.
- The ventilation in the room may be insufficient when the hood for electric hob is used simultaneously with the devices operating on gas or other fuels (this may not apply to appliances that only discharge the air back into the room).
- Objects placed on the product may fall. Do not

place any objects on the product.

- Do not flambe under the your product.

**WARNING:** Before installing the Hood, remove the protective films.

- Never leave high naked flames under the hood when it is in operation
- Deep fat fryers must be continuously monitored during use: overheated oil can burst into flames.

## 1.2 Compliance with the WEEE Directive and Disposing of the Waste Product:

This product complies with EU WEEE Directive (2012/19/EU). This product bears a classification symbol for waste electrical and electronic equipment (WEEE).



This symbol indicates that this product shall not be disposed with other household wastes at the end of its service life. Used device must be returned to official collection point for recycling of electrical and electronic devices. To find these collection systems please contact to your local authorities or retailer where the product was purchased. Each household performs important role in recovering and recycling of old appliance.

Appropriate disposal of used appliance helps prevent potential negative consequences for the environment and human health.

## 1.3 Compliance with RoHS Directive

The product you have purchased complies with EU RoHS Directive (2011/65/EU). It does not contain harmful and prohibited materials specified in the Directive.

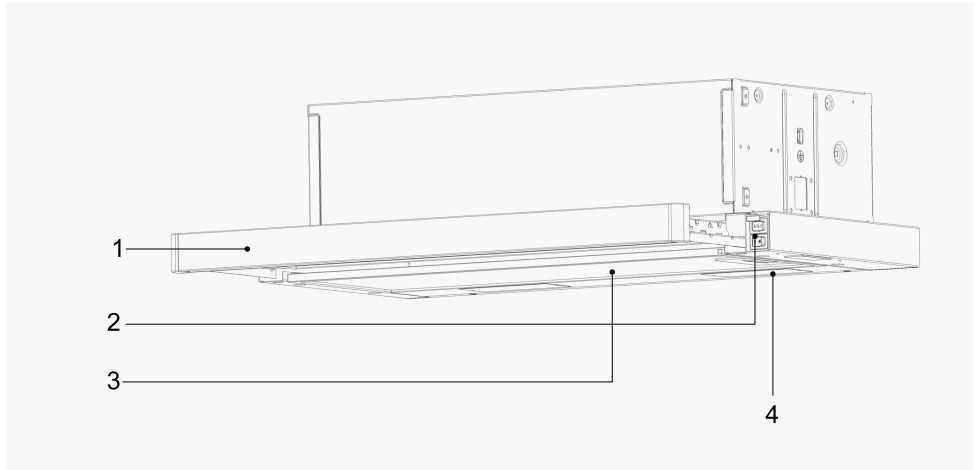
## 1.4 Package Information



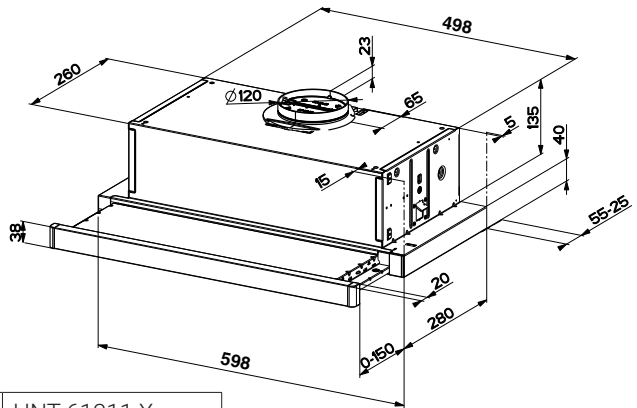
Packaging materials of the product are manufactured from recyclable materials in accordance with our National Environment Regulations. Do not dispose of the packaging materials together with the domestic or other wastes. Take them to the packaging material collection points designated by the local authorities.

## 2 General appearance

### 2.1 Overview



1. Slender panel
2. Control panel
3. Grease filter
4. Lighting

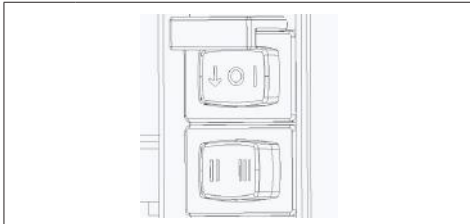


### 2.2 Technical data

<b>Model</b>	HNT 61311 X HNT 61311 XH HNT 61310 BH HNT 61310 WH
<b>Supply Voltage and Frequency</b>	220-240V ~ 50 Hz
<b>Lamp Power</b>	2 x 4 W
<b>Motor Power</b>	115 W
<b>Flow rate – 3. Level</b>	300 m <sup>3</sup> /h
<b>Insulation Class of Motor</b>	Class F
<b>Insulation Class</b>	Class II

## 3 Using the appliance

### 3.1 Controlling the appliance



↓	Activates the 2nd and 3rd speed levels.
I	Press button "I" to operate at 1st speed level.
O	When you turn it to the "O" position, the device turns off. At the same time, the device turns off when the slide panel is closed.
II	Press button "II" to operate at 2nd speed level.
III	Press button "III" to operate in 3rd speed level.

### 3.3 Operating the hood

- Your appliance contains a motor that has various speeds.
- For better performance, we recommend using low speeds under normal conditions and high speeds in cases of strong odours and intense vapour.
- You can start your appliance by pressing on the desired speed setting button. (I, II, III)
- When the slider panel is opened, the lamp lights up, when the slider is closed, the lamp goes out.

### 3.2 Energy efficient usage

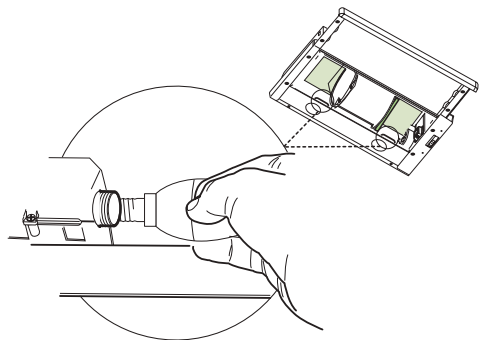
- When using your appliance, adjust the speed settings according to vapour and odour intensity, in order to save energy.
- Use low speeds (I-II) under normal conditions, and high speed (III) for intense

odour and vapour.


- The lamps on the hood are placed for illuminating the cooking area.
- Using them for environmental lighting shall cause unnecessary energy expenditure and insufficient lighting.
- For your device to consume less energy, run it at a low speed level.
- Your device will reduce energy consumption as it will run more efficiently when you provide sufficient air intake to it.
- Set your device to the intense suction power level before the formation of steam, in cases where you know that the dense steam will occur. So, you reduce energy consumption by using your device for a shorter time as it will have a sufficient air intake.
- Keep the lids of the cookware closed to reduce the steam evolving.

### 3.4 Replacement of lamp

Remove the aluminium cartridge filter. Remove the defective bulb and replace with a new one with the same rating.



## 3 Using the appliance

<b>Bulb</b>	
<b>Bulb Power</b>	4 W
<b>Holder / Socket</b>	E14
<b>Bulb Voltage</b>	220 - 240 V
<b>Size</b>	35x100 mm
<b>ILCOS Code</b>	DRBB/F-4-220-240-E14-35/100
<b>Luminous flux</b>	400 ml
<b>Correlated colour temperature</b>	3000 K

This product contains a light source of energy efficiency class "F".

- Candle type led lamp is used in this product.
- When changing the lamp, max. 4 W lamp should be used.

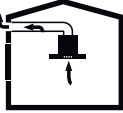


- Before replacing the light bulbs, disconnect the power supply of the hood.
- Do not touch the light bulbs when they are hot.
- Be careful not to touch the replaced light bulb directly with hands.



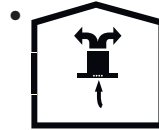
You may procure lamps from Authorised Service Agents.

### 3.5 Operation with chimney connection

-  Vapour is extracted through the flue duct, which is fastened to the connection head on the hood.
- The diameter of the flue duct must be

the same as the connection ring. In horizontal settings, the pipe has to have a slight upward slope (around 10°) so that the air can exit the room easily.

### 3.6 Operation without chimney connection



- Air is filtered through the carbon filter and recirculated in the room. Carbon filter is used when it is impossible to use a flue in the house.
- In flueless use, remove the flaps inside the flue adapter.
- Remove the aluminum grease filter. To install the carbon filter, fit the filter to the tabs by centring it on the plastic piece on both sides of the fan body. Tighten it by turning right or left.
- Replace aluminum grease filter.

## 4 Cleaning and maintenance

The device should be cleaned and maintained regularly. Failure to keep the device clean will adversely affect the service life of the device. For cleaning and maintenance, follow the instructions stated in the manual.



Before cleaning and maintenance, unplug the product or turn off the switch.

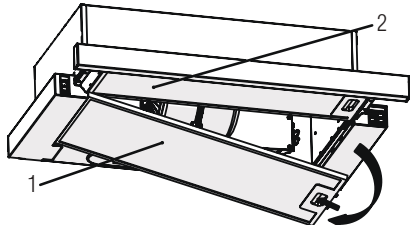


Non-compliance with the provisions associated with the cleaning of the device and replacement of the filters may result in a risk of fire. Therefore, it is recommended to follow the guidelines stated here. The manufacturer is not responsible for the engine damages or fires originating from the improper use.

Clean using only a cloth dampened with neutral liquid detergent. Do not clean with tools or instruments. Do not use abrasive products. Do not use alcohol.

### 4.1 Cleaning of grease filter

Grease filter is used to retain the oil particles in the air. Grease filter may change colour after repeated cleaning. This is normal, and you do not have to replace your filters.



1. External grease filter

2. Internal grease filter

- Pull the sliding plate out by holding the front panel. Remove the external grease filter first, and then the internal grease filter.
- Push the grease filter lock forward.
- Then pull it slightly down and pull it out. Otherwise, you may bend the filter. Wash and rinse grease filter with liquid detergent and replace grease filter to their seats by carrying out the steps specified above in reverse order. These grease filter are used to retain the oil particles in the air.



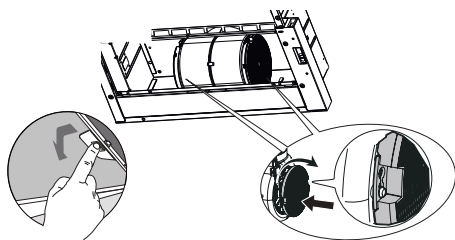
You may also wash the grease filter in the dishwasher.



**CAUTION:** In case of normal use, clean your grease filter once in a month.

### 4.2 Replacement of carbon filters

Odour removing filters contain charcoal (Active carbon). Grease filter must be installed in the product, regardless of whether or not carbon filters are used.



- Remove the grease filter.
- To remove the carbon filter, remove the carbon filter from its housing by rotating it counter-clockwise from the tab.

## 4 Cleaning and maintenance

- Install the new carbon filter.
- Install the grease filter.

### CAUTION



- Carbon filter shall never be washed.
- Replace carbon filters once every 3 months.
- You can obtain the carbon filter from the authorized services.

## 5 Installation of appliance



**WARNING:** Before starting the installation, read the safety information on user manual.



**WARNING:** Failure to install with screws and stabilizers in accordance with these instructions may result in electric shock.



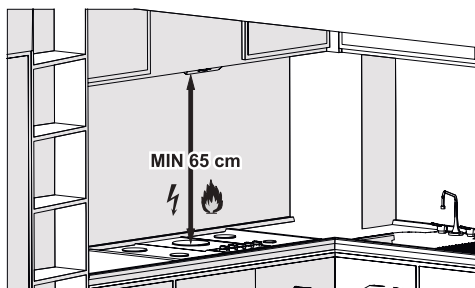
Please refer to page 133 for the installation guide.

For the installation of the hood, please contact the nearest Authorized Service.

It is the customer's responsibility to prepare the location and electrical installation of the hood.

### 5.1 Position of the appliance

- Distance between the cooker and the cooker hood must be considered prior to assembly. This distance should be 65 cm.
- Distance must be measured from the surface of grate for gas cookers, from surface of glass for electric cookers.



### 5.2 Installation of the hood



**CAUTION:** Use protective gloves and goggles for drilling and cutting operations.

- Wall must be flat, straight and have the sufficient bearing capacity.
- Depth of drilling holes must comply with the length of bolts.
- The bolts and dowels provided are suitable for brick walls. For other construction material (e.g. drywall, plate, porous concrete), suitable fixing dowels and nuts shall be used.

## 5 Installation of appliance

### 5.3 Storage

- If you do not intend to use the appliance for a long time, please store it carefully.
- Please make sure that the appliance is unplugged, cooled down and totally dry.
- Store the appliance in a cool and dry place.
- Keep the appliance out of the reach of children

### 5.4 Handling and transportation

- During handling and transportation, carry the appliance in its original packaging. The packaging of the appliance protects it against physical damages.
- Do not place heavy loads on the appliance or the packaging. The appliance may be damaged.
- Dropping the appliance will render it non-operational or cause permanent damage.

## 6 Troubleshooting

Troubleshooting	Root cause	Help
Appliance is not working.	Check your fuses.	Fuse may be blown, inspect and restore it.
Appliance is not working.	Check the electrical connection.	Mains voltage shall be between 220 and 240 V.
Appliance is not working.	Check the electrical connection.	Check if other appliance in your kitchen operate.
Illumination light does not operate.	Check the electrical connection.	Mains voltage shall be between 220 and 240 V.
Illumination light does not operate.	Inspect the lamp switch.	Lamp switch shall be at "on" position.
Illumination light does not operate.	Inspect the lamps.	The lamps of the appliance shall illuminate.
Air inlet of the appliance is inadequate.	Inspect the grease filter.	Under normal operating conditions, grease filter shall be cleaned at least once in a month.
Air inlet of the appliance is inadequate.	Check the air discharge chimney.	The air discharge chimney shall be at "on" position.
Air inlet of the appliance is inadequate.	Inspect the carbon filter.	The filters of the appliances with carbon filters shall be replaced once in every 3 months under normal conditions.

# Vă rugăm să citii mai întâi acest manual de utilizare!

Stimate client,

Vă mulțumim pentru că ați ales acest produs Beko. Sperăm să obțineți cele mai bune rezultate de la aparatul dumneavoastră, care a fost fabricat la o calitate înaltă și cu tehnologie performantă. Din acest motiv, vă rugăm să citiți cu atenție și în întregime acest manual de utilizare și toate celelalte documente însoțitoare înainte de a utiliza aparatul și să le păstrați pentru consultări ulterioare. Dacă transmiteți produsul altei persoane, oferiți-i și manualul de utilizare. Urmați instrucțiunile și acordați atenție tuturor informațiilor și avertismentelor din manualul de utilizare.

Nu uitați că acest manual de utilizare poate fi aplicat și altor modele. Diferențele dintre modele sunt descrise în manual în mod explicit.

## Semnificaia simbolurilor

Următoarele simboluri sunt utilizate în diverse părți ale acestui manual de utilizare:



Informații importante și sugestii utile cu privire la utilizare.



**AVERTISMENT:** Avertismente pentru situații periculoase referitoare la siguranța vieții și bunurilor.



**AVERTISMENT:** Avertisment pentru pericol de incendiu.



**AVERTISMENT:** Avertisment privind electrocutarea.



**HĂRTIE RECICLATĂ ȘI  
RECICLABILĂ**

# 1 Instrucțiuni importante cu privire la siguranță și mediu

## 1.1 Siguranță generală

Instrucțiuni importante cu privire la siguranță Citiți cu atenție și păstrați-le pentru consultare ulterioară Această secțiune conține instrucțiuni privind siguranța, care vă vor proteja împotriva riscului de incendiu, electrocutare, expunere la scurgeri de microunde, vătămare corporală și pagube materiale. Nerespectarea acestor instrucțiuni atrage anularea garanțiilor acordate.

- Produsele de la Beko sunt conforme standardelor de siguranță aplicabile; din acest motiv, în caz de defecțiune a produsului sau a cablului de alimentare, acestea trebuie reparate sau înlocuite de distribuitor, un centru de service sau un service similar specializat și autorizat, pentru evitarea oricărui pericol. Lucrările de reparații greșite sau efectuate de per-

soane necalificate pot cauza pericole sau riscuri utilizatorului.

- Acest aparat este destinat pentru a fi utilizat în scop casnic și aplicații similare cum ar fi:
  - Bucătării pentru personalul din magazine, birouri sau alte medii de lucru;
  - Ferme
  - De către clienți în hoteluri, moteluri sau alte medii de tip rezidențial;
  - Medii de tip pensiune.
- Utilizați acest produs doar pentru uzul desemnat, așa cum este descris în acest manual.
- Producătorul nu își asumă răspunderea pentru daunele provocate de instalarea incorectă sau utilizarea greșită a produsului.
- Acest aparat poate fi utilizat de către copii cu vârsta minimă de 8 ani și de către persoanele cu capa-

# 1 Instrucțiuni importante cu privire la siguranță și mediu

cități fizice, senzoriale sau mentale reduse sau lipsite de experiență și de cunoștințe, dacă aceștia au fost supravegheați sau instruiți cu privire la utilizarea produsului într-un mod sigur și dacă înțeleg pericolele implicate.

- Copiii nu trebuie să se joace cu aparatul. Operațiunile de curățare și întreținere nu trebuie să fie efectuate de către copii fără supraveghere.
- Distanța minimă dintre suprafețele de susținere pentru vasele de gătit de pe plită și partea cea mai joasă a hotei trebuie să fie de 65 cm.
- Dacă instrucțiunile de instalare a plitei cu gaz specifică distanțe mai mari decât cele de mai sus, se vor respecta instrucțiunile respective.
- Asigurați-vă că tensiunea de alimentare corespunde cu informațiile furnizate pe

plăcuța cu date tehnice a produsului.

- Nu utilizați aparatul atunci când cablul de alimentare sau aparatul în sine este avariat.
- Nu strângeți, nu îndoiți și nu frecăți cablul de alimentare de margini tăioase, pentru a preveni avariarea acestuia. Feriți cablul de alimentare de suprafețele fierbinți și focul deschis.
- Utilizați produsul doar cu o priză cu împământare.

**AVERTISMENT:** Nu conectați produsul la priza de alimentare înainte de finalizarea instalării.

- Amplasați aparatul astfel încât ștecherul să fie întotdeauna accesibil.
- Nu atingeți lămpile dacă au funcționat mult timp. Vă pot arde mâinile, deoarece vor fi fierbinți.
- Respectați reglementările stabilite de autoritățile competente privind evacu-

# 1 Instrucțiuni importante cu privire la siguranță și mediu

area aerului rezidual (acest avertisment nu este valabil la utilizarea fără coșul de fum).

- Folosiți produsul după ce ați pus o oală, o tigaie etc. pe plită. În caz contrar, căldura ridicată poate cauza deformări în unele părți ale produsului.
- Opriți plita înainte de a lua oala, tigaia etc. de pe aceasta.
- Nu lăsați ulei fierbinte pe plită. Tigăile cu ulei fierbinte pot provoca auto-combustia.
- Fiți atenți la perdele și huse, deoarece uleiul poate lua foc în timp ce gătiți alimente cum ar fi cartofi prăjiți.
- Filtrul de grăsime trebuie înlocuit cel puțin lunar. Filtrul de carbon trebuie înlocuit cel puțin o dată la 3 luni.
- Produsul trebuie curățat conform manualului de utilizare. În cazul în care curățarea nu a fost efectuată conform manualului de utilizare, există risc de incendiu.
- Nu folosiți materiale de filtrare care nu sunt rezistente la foc, în locul filtrului actual.
- Utilizați doar componentele originale sau componentele recomandate de către producător.
- Nu folosiți produsul fără filtru și nu scoateți filtrele în timp ce produsul funcționează.
- În cazul în care se produce o flacără, opriți alimentarea produsului și aparatele de gătit.
- În cazul în care se produce o flacără, acoperiți flacăra și nu utilizați apă pentru stingere.
- Înainte de fiecare curățare și atunci când produsul nu este folosit, scoateți-l din priză.
- Presiunea negativă în

# 1 Instrucțiuni importante cu privire la siguranță și mediu

mediu nu trebuie să depășească 4 Pa (4 x 10 bari), în timp ce hota pentru plita electrică și aparatele care funcționează cu un alt tip de energie decât electricitatea funcționează simultan.

- În mediul în care este folosit produsul, evacuarea dispozitivelor care funcționează pe combustibil lichid sau motorină, cum ar fi radiatorul, trebuie să fie complet izolată sau dispozitivul trebuie să fie de tip ermetic.
- La conectarea coșului de evacuare, folosiți țevi cu diametrul de 120 sau 150 mm. Racordul țevelor trebuie să fie cât mai scurt posibil și să aibă cât mai puține coturi.
- Pericol de sufocare! Păstrați materialele de ambalare la loc inaccesibil copiilor.

**ATENIE:** În timpul utilizării cu aparate de gătit, piesele

accesibile se pot încinge.

- Evacuarea hotei nu trebuie să fie conectată la canalele de aer care includ alte tipuri de fum.
- Ventilația în cameră poate fi insuficientă atunci când hota pentru plita electrică este folosită simultan cu dispozitive care funcționează cu gaz sau alți combustibili (nu se aplică neapărat în cazul aparatelor care doar evacuează aerul înapoi în cameră).
- Obiectele plasate pe produs pot să cadă. Nu amplasați nici un obiect pe aparat.
- Nu flambați alimente sub produs.

**AVERTISMENT:** Îndepărtați foliile de protecție înainte de a instala hota.

- Nu lăsați niciodată focul deschis la intensitate mare sub hotă când aceasta funcționează.
- Friteuzele trebuie supravegheate permanent

# 1 Instrucțiuni importante cu privire la siguranță și mediu

În timpul folosirii: uleiul supraîncălzit se poate aprinde.

## 1.2 Conformitate cu Directiva DEEE și eliminarea deșeurilor

Acest produs este conform cu Directiva DEEE a UE (2012/19/EU). Acest produs poartă un simbol pentru deșeuri de echipamente electrice (DEEE).



Acest simbol indică faptul că acest produs nu trebuie eliminat împreună cu alte deșeuri menajere la sfârșitul duratei sale de utilizare. Dispozitivul

uzat trebuie returnat către un punct oficial de colectare pentru reciclarea dispozitivelor electrice și electronice. Pentru a găsi aceste sisteme de colectare contactați autoritățile locale sau distribuitorul de la care a fost achiziționat produsul. Fiecare gospodărie are un rol important în recuperarea și reciclarea electrocasnicelor vechi.

Eliminarea corespunzătoare a electrocasnicelor uzate ajută la prevenirea posibilelor consecințe negative pentru mediu și sănătatea umană.

## 1.3 Conformitatea cu Directiva RoHS

Produsul pe care l-ați achiziționat este conform cu Directiva RoHS UE (2011/65/UE). Produsul nu conține materiale dăunătoare sau interzise specificate în Directivă.

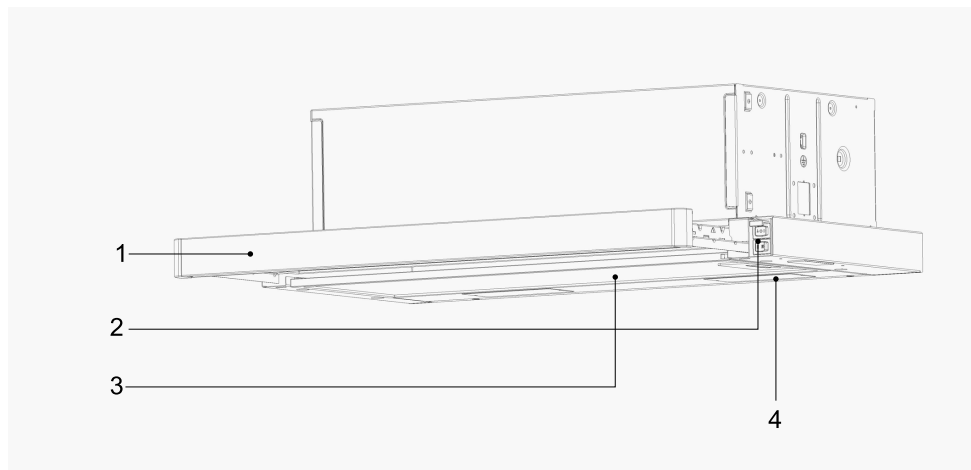
## 1.4 Informații despre ambalaj



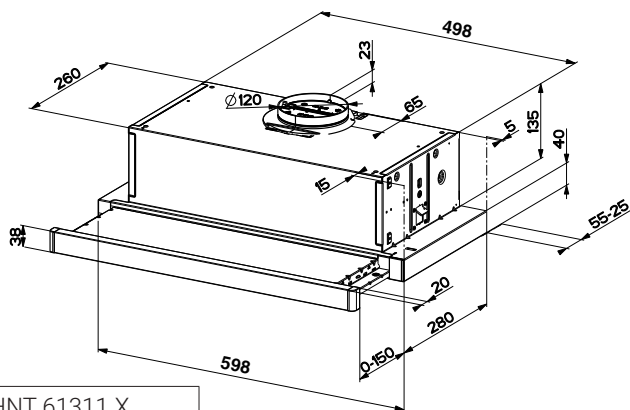
Ambalajul produsului este fabricat din materiale reciclabile, în conformitate cu reglementările naționale de mediu. Nu eliminați ambalajul împreună cu deșeurile menajere sau de alt tip. Transportați-le la punctele de colectare a ambalajelor desemnate de către autoritățile locale.

## 2 Aspect general

### 2.1 Prezentare generală



1. Panou slinder
2. Panou de control
3. Filtru de grăsime
4. Iluminat

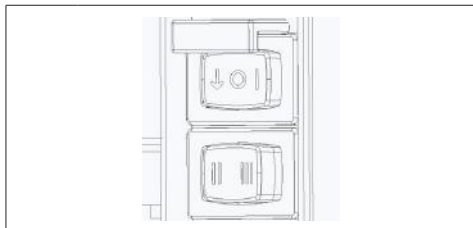


### 2.2 Date tehnice

<b>Model</b>	HNT 61311 X HNT 61311 XH HNT 61310 BH HNT 61310 WH
<b>Tensiune alimentare</b>	220-240V ~ 50 Hz
<b>Alimentare lampă</b>	2 x 4 W
<b>Putere motor</b>	115 W
<b>Debit – 3. Nivel</b>	300 m <sup>3</sup> /h
<b>Clasa de izolaie motor</b>	Clasa F
<b>Clasa de izolaie</b>	Clasa II

## 3 Funcționarea aparatului

### 3.1 Controlul aparatului



↓	Activează al 2-lea și al 3-lea nivel de viteză
I	Apăsați butonul „I” pentru a funcționa la nivelul de viteză 1.
O	Când îl întorci la „O” poziție, dispozitivul se oprește. În același timp, dispozitivul se oprește atunci când panoul glisant este închis.
II	Apăsați butonul „II” pentru a funcționa la a doua viteză.
III	Apăsați butonul „III” pentru a funcționa în a treia viteză.

### 3.2 Instrucțiuni de utilizare

- Hota dvs. conține un motor care are viteze diferite.
- Pentru o performanță mai bună, vă recomandăm să utilizați viteze reduse în condiții normale și viteze mari în caz de mirosuri puternice și vapori intensi.
- Puteți porni aparatul apăsând butonul de setare a vitezei dorit. (I, II, III)
- Când panoul glisor este deschis, lampa se aprinde, când glisorul este închis, lampa se stinge.

### 3.3 Funcționarea eficientă din punct de vedere energetic în termeni de economisire Folosire

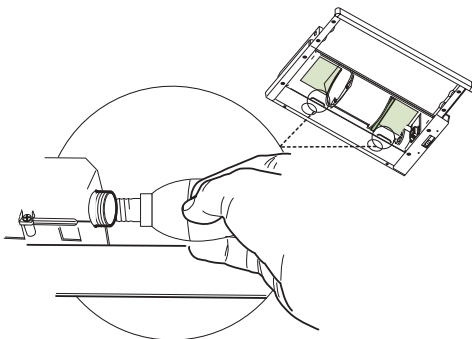
- Când folosiți hota, ajustați setările de viteză conform vaporilor și intensității mirosului, pentru a economisi energie.
- Folosiți viteze mici (I-II) în condiții nor-

male și viteze mari (III) în mirosuri intense și vapori.

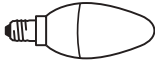
- Lămpile de pe hotă sunt plasate pentru iluminarea zonei de gătit.
- Folosirea lor pentru lumina ambientală va produce consum de energie inutil și lumină insuficientă.
- Pentru ca aparatul să consume mai puțină energie, utilizați-l la o viteză redusă.
- Aparatul va consuma mai puțină energie, deoarece va funcționa mai eficient atunci când îi asigurați o admisie suficientă de aer.
- Setati aparatul la nivelul de aspirație puternică înainte de formarea aburului, în cazurile în care știți că se va forma mult abur. Așadar, reduceți consumul de energie folosind aparatul pentru o perioadă mai scurtă de timp, deoarece va avea o admisie suficientă de aer.
- Țineți capacele vaselor de gătit închise pentru a reduce degajarea aburului.

### 3.4 Înlocuirea becului

Scoateți suportul filtrului de aluminiu. Scoateți becul defect și înlocuiți-l cu unul nou, de același tip.



## 3 Funcionarea aparatului

<b>Bec</b>	
<b>Putere Bec</b>	4 W
<b>Suport/Priză</b>	E14
<b>Tensiune bec</b>	220 - 240 V
<b>Dimensiune</b>	35x100 mm
<b>Cod ILCOS</b>	DRBB/F-4-220-240-E14-35/100
<b>Flux de lumină</b>	400 ml
<b>Temperatură de culoare corespondentă</b>	3000 K

Acest produs conține o sursă de lumină din clasa de eficiență energetică "F".

- Lampa cu LED de tip lumânare este utilizată în acest produs.
- La schimbarea lămpii, max. Trebuie folosită o lampă de 4 W.

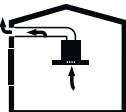


- Înainte de a înlocui becurile, deconectați hota de la sursa de alimentare.
- Nu atingeți becurile atunci când sunt fierbinți.
- Nu atingeți direct cu mâinile becul înlocuit.



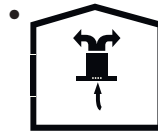
Puteți procura becuri de la agenții de service autorizați.

### 3.5 Funcionare cu racordare la tubul de evacuare

-  Vaporii sunt extrași prin conducta de evacuare, care este fixată pe capul de conectare de pe hotă.
- Diametrul conductei de evacuare trebuie să fie același cu cel al inelului de conectare. În setări orizontale,

țeaua trebuie să aibă o ușoară pantă ascendentă (aproximativ 10°), astfel încât aerul să poată ieși cu ușurință din cameră.

### 3.6 Funcionare fără racordare la tubul de evacuare



- Aerul este filtrat prin filtrul de carbon și recirculat în cameră. Filtrul de carbon este utilizat atunci când este imposibil de utilizat un tub în casă.
- În cazul utilizării fără tub de evacuare, îndepărtați clapetele din interiorul adaptorului pentru tubul de evacuare.
- Scoateți filtrul de grăsimi. Pentru a instala filtrul de carbon, montați filtrul pe clapete centrându-l pe piesa din plastic de pe ambele părți ale corpului ventilatorului. Strângeți-l prin rotirea spre dreapta sau spre stânga.
- Înlocuiți filtrul de grăsimi din aluminiu.

## 4 Curățarea și întreținerea

Dispozitivul trebuie curățat și întreținut în mod regulat. Dacă aparatul nu este păstrat curat durata de viață a acestuia va fi afectată negativ. Pentru curățare și întreținere, urmați instrucțiunile specificate în manual.



Înainte de curățare și întreținere, deconectați produsul sau opriți întrerupătorul.

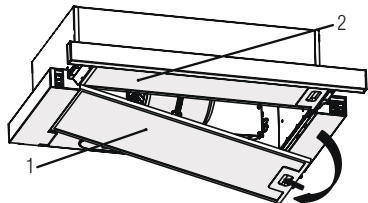


Nerespectarea prevederilor legate de curățarea aparatului și înlocuirea filtrelor poate duce la producerea de incendii. Prin urmare, se recomandă să urmați instrucțiunile specificate aici. Producătorul nu este responsabil pentru defecțiunile motorului sau incendiile cauzate de utilizarea necorespunzătoare.

Curățați folosind o cârpă înmuiată în detergent lichid cu pH neutru. Nu curățați folosind ustensile sau instrumente. Nu folosiți produse abrazive. Nu folosiți alcool.

### 4.1 Curățarea filtrului de grăsime din aluminiu

Filtrul de grăsimi din aluminiu este utilizat pentru a reține particulele de ulei din aer. Filtrul de grăsimi din aluminiu își poate schimba culoarea pe măsură ce este spălat; acest lucru este normal și nu necesită înlocuirea filtrului dvs.



1. Filtru de grăsimi din aluminiu extern
  2. Filtru de grăsimi din aluminiu intern
- Trageți placa culisantă ținând de panoul frontal. Demontați mai întâi filtrul de grăsimi din aluminiu extern, apoi filtrul de grăsimi din aluminiu intern.
  - Împingeți înainte închiderea filtrului de grăsimi din aluminiu.
  - Apoi trageți-l ușor în jos și trageți-l afară. În caz contrar, filtrul poate fi îndoit. Spălați și clătiți filtrele de grăsimi din aluminiu cu detergent lichid și înlocuiți filtrele de grăsimi din aluminiu, efectuând pașii specificați mai sus în ordine inversă. Acest filtru reține particulele de ulei din aer.



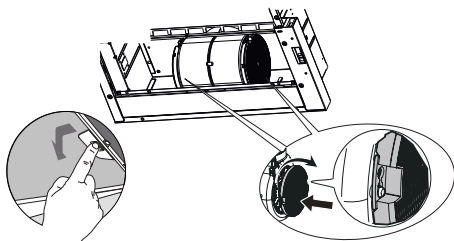
Puteți spăla filtrele de grăsimi din aluminiu în mașina de spălat vase.



**ATENIE:** În caz de utilizare normală, curățați filtrul de grăsimi din aluminiu o dată pe lună.

### 4.2 Înlocuirea filtrelor de carbon

Filtrele de îndepărtare a mirosului conțin cărbune (carbon activ). Indiferent dacă este utilizat sau nu un filtru de carbon, trebuie instalate filtre de grăsime din aluminiu.



- Îndepărtați filtrele de grăsime din aluminiu.
- Pentru a scoate filtrul de carbon, scoateți filtrul de carbon din carcasă

## 4 Curățarea și întreținerea

rotindu-l în sens antiorar de pe clapetă.

- Montați noul filtru de carbon.
- Montați filtrele de grăsimi din aluminiu.



### ATENIE

- Filtrul de carbon nu trebuie spălat niciodată.
- Înlocuiți filtrele de carbon o dată la 3 luni.
- Puteți obține filtrul de carbon de la vânzătorii autorizați.

## 5 Instalarea aparatului



**AVERTISMENT!** Înainte de a începe instalarea, citiți informațiile de siguranță din Manualul utilizatorului.



**AVERTISMENT!** Instalarea cu șuruburi și stabilizatori în neconformitate cu aceste instrucțiuni poate duce la electrocutare.



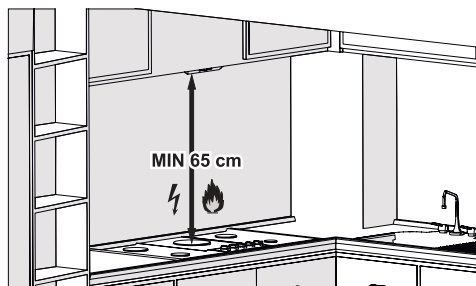
Vă rugăm să consultați pagina 133 pentru ghidul de instalare.

Pentru instalarea hotei, vă rugăm să contactați cel mai apropiat service autorizat.

Este responsabilitatea clientului să pregătească locația și instalarea electrică a hotei.

### 5.1 Poziția aparatului

- Distanța dintre aragaz și hotă trebuie luată în considerare înainte de asamblare. Această distanță trebuie să fie de 65 cm.
- Distanța trebuie măsurată de la suprafața grătarului pentru aragazuri pe gaz, de la suprafața sticlei pentru aragazuri electrice.



### 5.2 Instalarea hotei



**ATENIE** : Utilizați mănuși și ochelari de protecție când efectuați operațiuni de perforare și tăiere.

- Peretele trebuie să fie plat, drept și să aibă o capacitate suficientă de încărcare.
- Adâncimea găurilor trebuie să corespundă cu lungimea șuruburilor.
- Șuruburile și diblurile furnizate sunt potrivite pentru pereți din cărămidă. Pentru alte materiale de construcții (de exemplu, ghips carton, placă, beton poros), se folosesc dibluri și piulițe de fixare adecvate.

## 5 Instalarea aparatului

### 5.3 Depozitarea

- Dacă nu doriți să utilizați aparatul pentru o perioadă lungă de timp, depozitați-l cu grijă.
- Asigurați-vă că aparatul este decuplat, că s-a răcit complet și că este perfect uscat.
- Depozitați aparatul într-un loc uscat și rece.
- Nu lăsați aparatul la îndemâna copiilor

### 5.4 Manevrarea și transportul

- În timpul manevrării și transportului, transportați produsul în ambalajul său original. Ambalajul aparatului îl protejează împotriva deteriorării fizice.
- Nu plasați obiecte grele pe aparat sau pe ambalaj. Aparatul poate fi deteriorat.
- Căderea aparatului îl poate face nefuncțional sau poate provoca daune permanente.

## 6 Depanarea

Problemă	Cauză	Soluție
Produsul nu funcționează.	Verificați siguranța dvs.	Dacă siguranța dvs. este închisă, deschideți-o.
Produsul nu funcționează.	Verificați conexiunea electrică.	Tensiunea rețelei trebuie să fie între 220 și 240 V.
Produsul nu funcționează.	Verificați conexiunea electrică.	Verificați dacă și celelalte aparate din bucătărie funcționează.
Lampa de iluminare nu funcționează.	Verificați conexiunea electrică.	Tensiunea rețelei trebuie să fie între 220 și 240 V.
Lampa de iluminare nu funcționează.	Verificați comutatorul lămpii.	Comutatorul pentru lampă trebuie să fie în poziția „on” (pornit).
Lampa de iluminare nu funcționează.	Verificați becurile.	Becurile produsului nu trebuie să fie defecte.
Admisia de aer a produsului este slabă.	Verificați filtrul de aluminiu.	În condiții normale de funcționare, filtrul de ulei din aluminiu trebuie curățat cel puțin o dată pe lună.
Admisia de aer a produsului este slabă.	Verificați tubul de evacuare a aerului.	Tubul de evacuare a aerului trebuie să fie în poziția „on” (pornit).
Admisia de aer a produsului este slabă.	Verificați filtrul de carbon.	Pentru produsele cu filtre de carbon, filtrul trebuie schimbat în mod normal la fiecare 3 luni.



# CERTIFICAT DE GARANȚIE

Tensiune de alimentare/frecvență: 220-240V~, 50-60Hz

Importator: ARCTIC S.A., Găești, Dâmbovița, str. 13 Decembrie nr. 210, email: office@arctic.ro

TIP:  Aragaz  Cuptor încorporabil  Plită încorporabilă  Hotă

Model / Serie:.....

## VÂNZĂTOR

Nr. factură:.....Data: .....

Vânzător (firma, localitatea): .....

## CUMPĂRĂTOR

Nume .....Localitatea .....

Str. ....Nr. ....Bloc .....Sc. ....Et. ....Ap. ....

Județ ..... Telefon .....E-mail .....

S-a efectuat proba de funcționare a aparatului, s-a prezentat modul de folosire, s-au predat instrucțiunile de utilizare și toate accesoriile. Am primit aparatul în perfectă stare de funcționare.

Stimați clienți,

La cumpărare vă recomandăm să solicitați efectuarea probei de funcționare și să verificați existența instrucțiunilor de utilizare și a accesoriilor.

Pentru a putea beneficia de toate avantajele produselor și serviciilor noastre vă rugăm:

- să citiți cu atenție și să respectați recomandările prezentate în "Instrucțiunile de utilizare".

- să păstrați cu grijă acest certificat pentru a-l putea prezenta (împreună cu documentul fiscal de achiziție), personalului SERVICE ARCTIC, la orice sesizare efectuată în perioada de garanție.

Vă mulțumim că ați optat pentru cumpărarea unui produs Beko!

## Garanția legală de conformitate

**Durata medie de utilizare a produsului este de 10 ani!**

**Perioada de garanție legală de conformitate este de 2 ani de la livrarea produsului\*,**

\*prin „produs” se înțelege „bun” conform OUG nr. 140/2021<sup>1</sup>

Perioada de garanție legală de conformitate pentru conținutul digital sau serviciul digital în cazul bunurilor cu elemente digitale pentru care contractul de vânzare-cumpărare prevede furnizarea continuă de conținut digital sau a serviciului digital pe durată determinată este de:

a) 2 ani de la livrare, respectiv de la livrarea bunului – pentru produse cu durata medie de utilizare de 5 ani (art. 9 (3) din OUG nr. 140/2021);

b) 5 ani de la livrare, respectiv de la livrarea bunului – pentru produse cu durata medie de utilizare mai mare de 5 ani (art. 9 (3) din OUG nr. 140/2021);

c) Pe tot parcursul perioadei de furnizare a conținutului / serviciului digital – pentru furnizare continuă a conținutului / serviciului digital pe o perioadă mai mare de 5 ani (art. 9 (4) din OUG nr. 140/2021).

<sup>1</sup>Ordonanță de urgență 140/2021 privind anumite aspecte referitoare la contractele de vânzare de bunuri



Service-ul acestui produs este asigurat de ARCTIC S.A. cu sediul în Găești, Dâmbovița, str. 13 Decembrie nr. 210. • 9010 • www.arctic.ro • www.beko.ro • e-mail: service@arctic.ro  
Program Call Center: Luni - Vineri 08:30 - 20:00; Sâmbătă 08:30 - 17:00



**Remedii incluse în garanția legală de conformitate conform OUG nr. 140/2021**  
(vă rugăm să aveți în vedere prevederile de mai jos)

**ARCTIC garantează toate drepturile legale prevăzute de OUG nr. 140/2021 în beneficiul consumatorilor cu privire la garanția legală de conformitate. Dispozițiile prezentului certificat de garanție legală de conformitate se completează, în mod corespunzător, cu dispozițiile OUG nr. 140/2021.**

În caz de neconformitate, consumatorul are dreptul de a beneficia de aducerea în conformitate a bunurilor, de a beneficia de o reducere proporțională a prețului sau de a obține încetarea contractului, în condițiile legii - art. 11 (1).

Consumatorii beneficiază de înlocuirea bunurilor în cazul în care neconformitatea acestora este constatată la scurt timp după livrare, fără a depăși 30 de zile calendaristice. Art.11(7)

Pentru ca bunurile să fie aduse în conformitate, consumatorul poate opta între reparație și înlocuire, cu excepția cazului în care măsura corectivă aleasă ar fi imposibilă sau, în comparație cu cealaltă măsură corectivă disponibilă, ar impune vânzătorului costuri care ar fi disproporționate, luând în considerare toate circumstanțele (ex. valoarea bunurilor în cazul în care nu ar fi existat neconformitatea, gravitatea neconformității sau dacă măsura corectivă alternativă ar putea fi executată fără vreun inconvenient semnificativ pentru consumator) - art. 11 (2).

#### **Instalarea incorectă a bunurilor (art. 7).**

Orice neconformitate cauzată de instalarea incorectă a bunurilor este considerată ca reprezentând o neconformitate a bunurilor, în oricare din următoarele situații:

- a) instalarea face parte din contractul de vânzare și a fost realizată de vânzător sau sub răspunderea vânzătorului;
- b) instalarea, destinată să fie realizată de consumator, a fost realizată de acesta și instalarea incorectă s-a datorat unor deficiențe în instrucțiunile de instalare furnizate de vânzător sau, în cazul bunurilor cu elemente digitale, de către vânzătorul sau furnizorul conținutului digital sau al serviciului digital.

#### **Proba neconformității.**

Orice neconformitate care este constatată în termen de un an de la data la care bunurile (inclusiv cele cu elemente digitale) au fost livrate este prezumată a fi existat deja în momentul livrării bunurilor până la proba contrarie sau cu excepția cazului în care această prezumție este incompatibilă cu natura bunurilor sau cu natura neconformității - art. 10 (1).

În cazul bunurilor cu elemente digitale pentru care contractul de vânzare prevede furnizarea continuă de conținut digital sau de servicii digitale pentru o anumită perioadă, sarcina probei cu privire la conformitatea conținutului digital sau a serviciului digital pe parcursul perioadelor de garanție legală îi revine vânzătorului în cazul unei neconformități care este constatată pe parcursul acestei perioade - art. 10 (3).

#### **Remediere prin reparație.**

În cazul în care neconformitatea este remediată prin reparație, termenele de garanție legală se prelungesc cu timpul de nefuncționare a bunului, din momentul la care a fost adusă la cunoștința vânzătorului lipsa de conformitate până la predarea efectivă a bunului în stare de utilizare normală către consumator - art. 12 (6).

### **Remediere prin înlocuire.**

În cazul în care neconformitatea este remediată prin înlocuire, pentru bunurile care înlocuiesc bunurile neconforme, termenele legale de garanție pentru produsul înlocuit încep să curgă de la data înlocuirii cu noul produs - art. 12 (7).

### **Reducerea prețului și încetarea contractului.**

Consumatorul are dreptul fie să obțină o reducere proporțională a prețului în conformitate cu legea, fie să obțină încetarea contractului de vânzare în condițiile legii, în oricare dintre următoarele cazuri - art. 11(4):

- a) vânzătorul nu a finalizat reparația sau înlocuirea sau, după caz, nu a finalizat reparația sau înlocuirea potrivit prevederilor legii sau vânzătorul a refuzat să aducă în conformitate bunurile potrivit prevederilor legii;
- b) se constată o neconformitate, în pofida eforturilor vânzătorului de a o remedia;
- c) neconformitatea este de o asemenea gravitate încât justifică o reducere de preț sau dreptul la încetarea imediată a contractului de vânzare;
- d) vânzătorul a declarat că nu va aduce bunurile în conformitate într-un termen rezonabil sau fără inconveniente semnificative pentru consumator ori acest lucru reiese clar din circumstanțele cazului.

Consumatorul are dreptul de a suspenda plata unei părți restante din prețul bunurilor sau a unei părți a acesteia până în momentul în care vânzătorul își va fi îndeplinit obligațiile care îi revin în temeiul legii - art. 11(6). Reducerea de preț este proporțională cu diminuarea valorii bunurilor primite de consumator în comparație cu valoarea pe care bunurile ar avea-o dacă ar fi în conformitate - art.13.

### **Încetarea contractului:**

- a) nu poate fi solicitată dacă vânzătorul dovedește că neconformitatea este minoră;
- b) poate fi solicitată pentru totalitatea bunurilor achiziționate și livrate, deși motivul de încetare vizează doar anumite bunuri, în cazul în care consumatorul nu i se poate pretinde în mod rezonabil să accepte să păstreze numai bunurile conforme;
- c) determină obligația consumatorului de a returna vânzătorului bunurile, pe cheltuiala vânzătorului;
- d) determină obligația vânzătorului de a rambursa consumatorului prețul plătit pentru bunuri la primirea bunurilor sau a unei dovezii prezentate de consumator că bunurile au fost returnate; vânzătorul va folosi aceleași modalități de plată ca și cele folosite de consumator pentru tranzacția inițială, cu excepția cazului în care consumatorul a fost de acord cu o altă modalitate de plată și cu condiția de a nu cădea în sarcina consumatorului plata de comisioane în urma rambursării.

Garanția legală pentru viciu ascuns este aplicabilă în condițiile legii, conform OG nr. 21/1992 (revizia 2) privind protecția consumatorului, OUG nr. 140/2021 și Codului Civil. Viciul ascuns reprezintă deficiența calitativă a unui produs livrat sau a unui serviciu prestat care nu a fost cunoscută și nici nu putea fi cunoscută de către consumator prin mijloacele obișnuite de verificare.



Service-ul acestui produs este asigurat de ARCTIC S.A. cu sediul în Găești, Dâmbovița, str.13 Decembrie nr. 210. • \*9010 • [www.arctic.ro](http://www.arctic.ro) • [www.beko.ro](http://www.beko.ro) • e-mail: [service@arctic.ro](mailto:service@arctic.ro)  
Program Call Center: Luni - Vineri 08:30 - 20:00; Sâmbătă 08:30 - 17:00

## UNITĂȚILE SERVICE ALE ARCTIC S.A. EXECUTĂ REPARAȚII ÎN TERMENUL DE GARANȚIE ȘI ÎN AFARA ACESTUIA

Nr. crt.	Data Reclamației	Data primirii în reparație	Reparat			Prelungirea termenului de garanție	Efectuarea verificării	
			Programat	Data ridicării aparatului	Cauza întârzierii		Reparația curentă și/sau componenta înlocuită	SERVICE

### CONDIȚII SUPPLEMENTARE DE GARANȚIE LEGALĂ DE CONFORMITATE:

Pentru orice defecțiune aparută în perioada de garanție legală, apelezi la vânzător (respectiv, prin magazinul de unde a fost achiziționat produsul sau direct prin Call Center Arctic). Prelungirea termenului de garanție se va înscrice în certificatul de garanție de către unitatea SERVICE care a efectuat reparația. Garanția acoperă repararea și/sau înlocuirea pieselor constatate ca neconforme în sensul OUG nr. 140/2021. (necauzate de consumator) de către tehnicienii Service Arctic.

Termenul de realizare a operațiilor de reparație, înlocuire sau întreținere este de 15 zile calendaristice de la data la care cumpărătorul a sesizat lipsa de conformitate către vânzător (respectiv, prin magazinul de unde a achiziționat produsul sau direct prin Call Center Arctic).

Reparațiile /înlocuirile se efectuează cu respectarea următoarelor condiții - art.12(1)-(5) din OUG nr. 140/2021:

- fără costuri și fără vreun inconvenient semnificativ pentru consumator, ținând seama de natura bunurilor și de scopul pentru care consumatorul a solicitat bunurile în cauză;
- consumatorul pune bunurile la dispoziția vânzătorului, iar vânzătorul preia bunurile înlocuite pe propria cheltuială;
- obligăția de a repara sau înlocui bunurile include, după caz, demontarea bunurilor neconforme și instalarea bunurilor de înlocuire sau a bunurilor reparate sau suportarea costurilor aferente demontării și instalării;
- consumatorul nu este obligat să plătească pentru utilizarea normală a bunurilor înlocuite în perioada care a precedat înlocuirea acestora.

### Reclamațiile referitoare la aspectele prevăzute mai jos, se rezolvă numai contra cost:

- piesele și accesoriile care prezintă lovituri, zgârieturi, spărturi sau deformări din vina exclusivă a consumatorului.

### PRODUSUL NU BENEFICIAZĂ DE GARANȚIE LEGALĂ DE CONFORMITATE ÎN URMĂTOARELE CAZURI:

- Nu au fost respectate instrucțiunile de transport, manipulare, instalare, utilizare și întreținere prescrite.
- Subsambipurile și accesoriile casabile care se deteriorează în timpul transportului vor fi înlocuite de vânzător (în cazul în care transportul e asigurat de vânzător sau sub responsabilitatea acestuia).
- Garanția nu se acordă subsansamblelor și accesoriilor casabile ale produselor care suferă deteriorări din vina exclusivă a consumatorului.
- Tensiunea de alimentare are valori care nu se încadrează în limitele prevăzute de standarde (SR EN 50160).
- Instalația electrică a utilizatorului prezintă improvizații sau neconformități.
- Produsul a fost folosit în alte scopuri decât cel pentru care a fost proiectat.
- Produsul a suportat intervenții (reparații, modificări) din partea unor persoane neautorizate de producător.

### Drepturile consumatorului sunt cele prevăzute în OUG nr. 140/2021 și OG 21/1992 (republicată).

În cadrul acestui proces, Arctic vă prelucrează date cu caracter personal, cu respectarea legilor aplicabile privind confidențialitatea și protecția datelor. Pentru informații complete despre modul în care vă prelucreăm datele, precum și despre drepturile dumneavoastră, vă rugăm să consultați secțiunea "Protecția datelor personale", accesând site-ul nostru la adresa <https://www.beko.ro/>.

# Prvo pročitajte ovaj korisnički priručnik!

Poštovani cijenjeni kupci,

Zahvaljujemo vam što ste odabrali ovaj proizvod kompanije Beko. Nadamo se da ćete na najbolji mogući način iskoristiti svoj uređaj koji je napravljen s visokim kvalitetom i vrhunskom tehnologijom. Iz tog razloga, pročitajte ovaj kompletan korisnički priručnik i sve druge prateće dokumente pažljivo prije korišćenja proizvoda i sačuvajte ih za buduću upotrebu. Ako ovaj uređaj predate trećem licu, priložite i ovaj korisnički priručnik. Pratite upute obraćajući pažnju na sve informacije i upozorenja navedena u korisničkom priručniku.

Imajte na umu da je ovaj korisnički priručnik primjenljiv i za druge modele. Razlike između modela izričito su opisane u priručniku.

## Značenje simbola

Sljedeći simboli se koriste u raznim odjeljcima ovog korisničkog priručnika:



Važne informacije i korisni savjeti u vezi s upotrebom.



**UPOZORENJE:** Upozorenja na opasne situacije koje se odnose na sigurnost života i imovine.



**UPOZORENJE:** Upozorenje na opasnost od požara.



**UPOZORENJE:** Upozorenje na strujni udar.

## 1.1 Opšta sigurnost

Važne upute u vezi sa sigurnošću pažljivo pročitajte i i sačuvajte ih za buduću upotrebu. Ovaj odjeljak sadrži upute u vezi sa sigurnošću koje će vam pomoći u zaštiti od opasnosti od požara, strujnog udara, izloženosti curenju mikrotalasne energije, ličnih povreda ili oštećenja imovine. Nepoštovanje ovih uputa poništava odobrenu garanciju.

- Beko proizvodi su u skladu s važećim sigurnosnim standardima; prema tome, u slučaju bilo kakvih oštećenja na uređaju ili kablju za napajanje, iste treba da popravi ili zamijeni prodavač, servisni centar ili stručno lice i ovlašćeni servis kako bi se izbjegla bilo kakva opasnost. Neispravni ili nekvalifikovani radovi na popravci mogu biti opasni i mogu dovesti do

opasnosti po korisnika.

- Ovaj uređaj je namijenjen za upotrebu u domaćinstvima i sličnim objektima kao što su:
  - prostori kuhinje za zaposlenike u trgovinama, uredima i drugim radnim okruženjima;
  - kuće na farmama,
  - seoske kuće i za goste u hotelima, motelima i drugim objektima za smještaj;
  - objekti koji nude prenoćište i doručak,
- Upravlajte uređajem prema predviđenoj namjeni samo kako je opisano u ovom priručniku.
- Proizvođač ne može biti odgovoran za štetu nastalu nepropisnom ugradnjom ili zloupotrebom proizvoda.
- Ovaj uređaj mogu koristiti djeca od 8 godina i starija,

i osobe sa ograničenim fizičkim, čulnim ili mentalnim sposobnostima, osobe koje nemaju dovoljno znanja ili iskustva ako su pod nadzorom ili su im date upute koje se tiču upotrebe uređaja na siguran način i opasnosti koje uređaj uključuje.

- Djeca se ne smiju igrati s uređajem. Čišćenje i održavanje od strane korisnika ne smiju obavljati djeca ukoliko nisu pod nadzorom.
- Minimalna udaljenost između noseće površine posuda za kuvanje na ploči za kuvanje i najnižeg dijela vašeg proizvoda mora biti najmanje 65 cm.
- Ako je uputama za ugradnju plinske ploče definisana veća udaljenost, to se mora uzeti u obzir.
- Vaše mrežno napajanje strujom mora biti u skladu sa informacijama na ploč-

ici na uređaju.

- Nikada ne koristite uređaj ako je kabl za napajanje ili sam uređaj oštećen.
- Spriječite oštećenje kabla za napajanje tako što ga nećete stiskati, savijati ili trljati po oštrim ivicama. Držite kabl za napajanje dalje od vrućih površina i izvora plamena.
- Uređaj koristite samo sa uzemljenom utičnicom.

**UPOZORENJE:** Ne priključujte uređaj na napajanje prije potpune ugradnje uređaja.

- Postavite uređaj na način da utikač bude uvijek dostupan.
- Ne dirajte lampe ako su dugo radile. Mogu vam stvoriti opekotine na rukama jer će biti zagrijane.
- Pridržavajte se propisa koji su utvrdili nadležni organi o ispuštu izduvnog vazduha (ovo upozorenje nije primjenljivo na upo-

rabu bez dimnih gasova).

- Uključite uređaj nakon što stavite lonac, tavu itd. na ploču za kuvanje. U suprotnom, velika toplota može prouzrokovati deformacije u nekim djelovima vašeg proizvoda.
- Isključite ploču prije nego što sa nje sklonite lonac, tavu itd.
- Ne ostavljajte vruće ulje na ploči za kuvanje. Posude sa vrućim uljem mogu izazvati samo-sagorijevanje.
- Obratite pažnju na zavjese i prekrivače, jer se ulje može zapaliti dok spremate hranu kao što je pomfrit.
- Filter za masnoće treba zamijeniti najmanje jednom mjesečno. Karbonski filter se mora zamijeniti najmanje jednom u svaka 3 mjeseca.
- Proizvod se čisti u skladu sa korisničkim priručnikom. Ako čišćenje nije izvršeno u skladu s korisničkim priručnikom, može doći do opasnosti od požara.
- Ne koristite materijale za filtriranje koji nisu otporni na vatru umjesto trenutnog filtera.
- Koristite samo originalne dijelove ili dijelove koje je preporučio proizvođač.
- Ne koristite proizvod bez filtera i ne uklanjajte filtere dok je proizvod u funkciji.
- U slučaju pojave plamena, isključite vaš proizvod i uređaje za kuvanje sa napajanja električnom energijom.
- U slučaju pojave plamena, prekriti plamen i nikada ne koristite vodu za gašenje.
- Isključite uređaj sa napajanja prije svakog čišćenja i kada uređaj ne koristite.
- Negativni pritisak u okolini

ne bi trebalo da pređe 4 Pa (4 x 10 bara) dok istovremeno rade aspirator za električnu ploču i uređaji koji rade na drugoj vrsti energije osim struje.

- U okruženju u kojem se koristi uređaj, ispustni otvor uređaja koji rade na lož-gorivo ili plin, kao što su sobni grijači, mora biti apsolutno izolovan ili uređaj treba da bude hermetičnog tipa.
- Pri povezivanju odvodne cijevi koristite cijevi prečnika 120 ili 150 mm. Priključak cijevi mora biti što kraći i imati što je moguće manje prelamanja.

**Opasnost od gušenja!** Sve materijale za pakiranje držite dalje od djece.

**OPREZ:** Pristupačni djelovi se mogu zagrijati kada se koriste sa uređajima za kuvanje.

- Izlazni otvor proizvoda ne smije biti povezan sa

vazдушnim kanalima koji sprovode drugu vrstu dima.

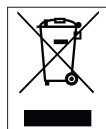
- Ventilacija u prostoriji može biti nedovoljna kada se aspirator za električnu ploču koristi istovremeno sa uređajima koji rade na plin ili druga goriva (ovo možda nije primjenljivo na uređaje koji samo dovode vazduh u prostoriju).
- Predmeti stavljani na proizvod mogu pasti. Ne stavljajte nikakve predmete na proizvod.
- Ne flambirajte hranu ispod proizvoda.

**UPOZORENJE:** Prije ugradnje aspiratora uklonite zaštitne folije.

- Nikada ne ostavljajte visoko otvoren plamen ispod aspiratora dok je isti u funkciji.
- Friteze sa dubokim uljem moraju se neprestano nadgledati tokom upotrebe: pregrijano ulje može da plane.

## 1.2 Usklađenost s direktivom WEEE i Odlaganjem otpadnog proizvoda:

Ovaj proizvod je usklađen s Direktivom EU WEEE (2012/19/EU). Ovaj proizvod nosi simbol klasifikacije za odlaganje električne i elektronske opreme (WEEE).



Ovaj simbol označava da ovaj proizvod ne treba odlagati sa ostalim otpadom iz domaćinstva na kraju vijeka upotrebe. Korišćeni uređaj mora se vratiti u službeno zbirno mjesto za recikliranje električnih i elektronskih uređaja. Da biste pronašli ove sisteme za prikupljanje, obratite se lokalnim nadležnim organima ili prodavcu kod kojeg je proizvod kupljen. Svako domaćinstvo ima važnu ulogu u obnovi i recikliranju starih uređaja. Odgovarajuće odlaganje korišćenog aparata pomaže u sprječavanju potencijalnih negativnih posljedica po životnu sredinu i zdravlje ljudi.

## 1.3 Usklađenost sa RoHS direktivom:

Proizvod koji ste kupili je usklađen s Direktivom EU RoHS (2011/65/EU). On ne sadrži štetne i zabranjene materijale navedene u Direktivi.

## 1.4 Informacija o ambalaži

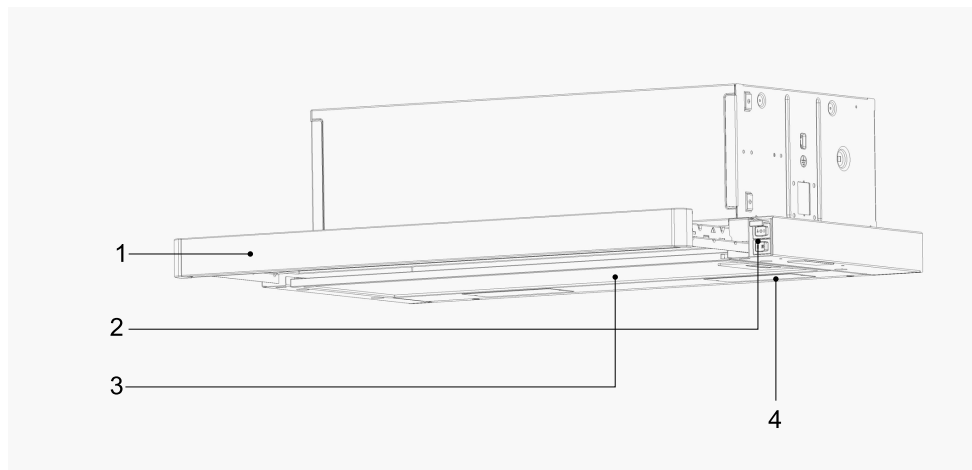


Ambalaža proizvoda je proizvedena od sekundarnih sirovina u skladu s našim nacionalnim propisima za zaštitu okoliša. Ne bacajte ambalažu zajedno s otpadom iz

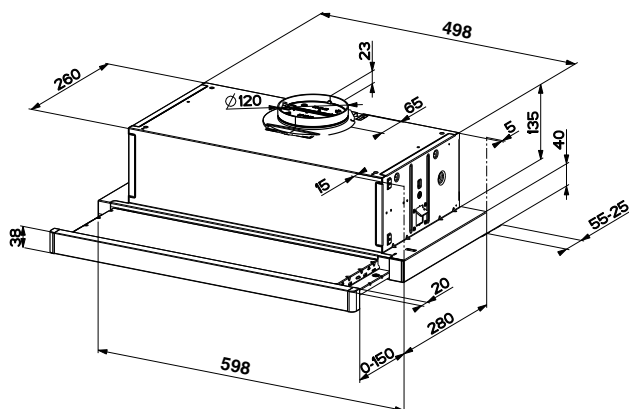
domaćinstva ili drugim otpadom. Odnosite je do sabirnih centara za ambalažu koje su odredili lokalni nadležni organi.

## 2 Opšti izgled

### 2.1 Prikaz



1. Slinder panel
2. Prekidač
3. Filter za masnoću
4. Osvjetljenje

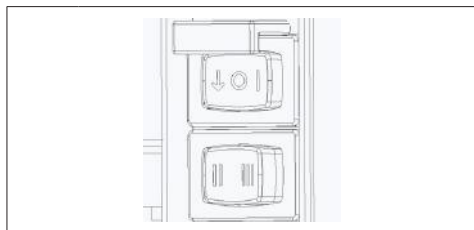


### 2.2 Tehnički podaci

<b>Model</b>	HNT 61311 X HNT 61311 XH HNT 61310 BH HNT 61310 WH
<b>Napon napajanja</b>	220-240V ~ 50 Hz
<b>Snaga lampice</b>	2 x 4 W
<b>Snaga motora</b>	115 W
<b>Brzina protoka – 3. Nivo</b>	300 m <sup>3</sup> /h
<b>Klasa izolacije motora</b>	Klasa F
<b>Klasa izolacije</b>	Klasa II

## 3 Rukovanje uređajem

### 3.1 Kontrola uređaja



↓	Aktivira 2. i 3. nivoe brzine.
I	Pritisnite dugme "I" za rad na 1. nivou brzine.
O	Kada ga okrenete u položaj "O", uređaj se isključuje. Istovremeno, uređaj se isključuje kada se klizni panel zatvori.
II	Pritisnite dugme "II" za rad na 2. stepenu brzine.
III	Pritisnite dugme "III" za rad na 3. stepenu brzine.

### 3.3 Rad nape

- Vaš uređaj ima motor s različitim brzinama.
- Za bolje performanse preporučujemo upotrebu niskih brzina u normalnim uvjetima i velike brzine u slučaju jakih mirisa i intenzivne pare.
- Uređaj možete pokrenuti pritiskom na dugme za podešavanje željene brzine. (I, II, III)
- Kada se klizač otvori, lampica se pali, kada se klizač zatvori, lampica se gasi.

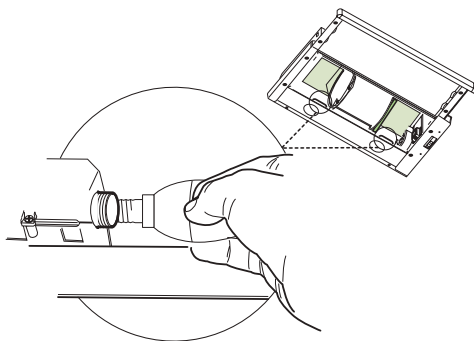
### 3.2 Energetski efikasan rad sa uštedom energije

- Kad koristite uređaj prilagodite brzinu intenzitetu pare i mirisa da biste uštedjeli energiju.
- Koristite niske brzine (I-II) u normalnim uvjetima, a velike brzine (III) za intenzivan miris i isparavanje.

- Lampice na napi su postavljene za osvijetljavanje područja kuhanja.
- Njihova upotreba za osvijetljenje okoliša uzrokovat će nepotrebne troškove energije i nedovoljno osvijetljenje.
- Da bi vaš uređaj trošio manje energije, pokrenite ga pri maloj brzini.
- Vaš uređaj će smanjiti potrošnju energije jer će raditi efikasnije kada mu obezbedite dovoljan usis zraka.
- Podesite uređaj na nivo intenzivne usisne snage pre stvaranja pare, u slučajevima kada znate da će doći do guste pare. Dakle, smanjujete potrošnju energije tako što ćete svoj uređaj koristiti kraće vrijeme jer će imati dovoljan usis zraka.
- Držite poklopce posuđa zatvorenim kako biste smanjili stvaranje pare.

### 3.4 Zamjena lampice

Uklonite aluminijumski uložak za filtar. Uklonite neispravnu žarulju i zamijenite novom s istom ocjenom.



<b>Sijalica</b>	
<b>Snaga sijalice</b>	4 W
<b>Držač/utičnica</b>	E14

## 3 Rukovanje uređajem

<b>Napon sijalice</b>	220 - 240 V
<b>Veličina</b>	35x100 mm
<b>ILCOS kod</b>	DRBB/F-4-220-240-E14-35/100
<b>Svjetlosni tok</b>	400 ml
<b>Odgovarajuća temperatura boje</b>	3000 K

Ovaj proizvod sadrži izvor svjetla klase energetske efikasnosti "F".

- U ovom proizvodu se koristi led lampica tipa svijeća.
- Prilikom zamjene svjetiljke maks. Treba koristiti lampu od 4 W.

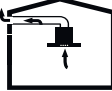


- Prije zamjene sijalice, isključite napajanje aspiratora.
- Ne dirajte sijalice kada su vruće.
- Pazite da direktno ne dođete zamijenjenu sijalicu rukama.

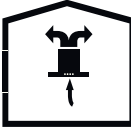


Lampice možete nabaviti od agenata ovlašćenih servisa.

### 3.5 Rad s priključkom na dimnjak

-  Para se odvodi kroz kanal dimnjaka, koji je pričvršćen na priključnu glavu na napi.
- Promjer kanala dimnjaka mora biti isti kao i priključni prsten. U horizontalnim postavkama cijev mora imati blagi nagib prema gore (oko 10°) da bi zrak mogao lako izaći iz prostorije.

### 3.6 Rad bez priključka na dimnjak

-  Zrak se filtrira kroz karbonski filter i recirkulira unutar prostorije. Karbonski filter koristi se kada nije moguće koristiti dimnjak u kući.
- U slučaju upotrebe bez dimnjaka, uklonite klapne iz adaptera za dimnjak.
- Uklonite Filter za masnoću. Da biste ugradili karbonski filter, filter namjestite na jezičke tako što ćete ga centrirati na plastični komad s obje strane kućišta ventilatora. Zategnite ga okretanjem udesno ili ulijevo.
- Zamijenite Filter za masnoću.

## 4 Čišćenje i održavanje

Uređaj treba redovno čistiti i održavati. Ako uređaj ne održavate čistim, to će negativno utjecati na vijek trajanja uređaja. Za čišćenje i održavanje slijedite upute navedene u priručniku.



Prije čišćenja i održavanja, isključite uređaj sa napajanja ili isključite glavni prekidač ili otpustite osigurač koji napaja aspirator.

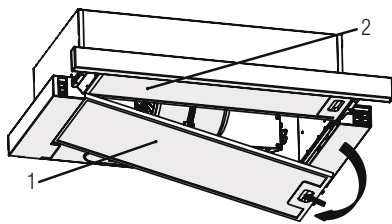


Nepridržavanje odredbi vezanih za čišćenje uređaja i zamjenu filtera može dovesti do opasnosti od požara. Stoga se preporučuje da se pridržavate ovdje navedenih smjernica. Proizvođač nije odgovoran za oštećenja motora ili požare uzrokovane nepravilnim korištenjem.

Očistite samo krpom navlaženom neutralnim tečnim deterdžentom. Ne čistite alate niti instrumente. Ne koristite abrazivne proizvode. Ne koristite alkohol.

### 4.1 Čišćenje aluminijuskog filtera za masnoće

Aluminijски filter za masnoću koristi se za zadržavanje čestica masnoće u zraku. Aluminijски filter za masnoću može promijeniti boju prilikom pranja; to je normalno i ne zahtijeva zamjenu vašeg filtera.



1. Vanjski aluminijски filter za masnoću

2. Unutarnji aluminijски filter za masnoću

- Izvucite kliznu ploču držeći prednju ploču. Prvo uklonite vanjski aluminijски filter za masnoću, a zatim unutarnji aluminijски filter za masnoću.

- Gurnite bravu aluminijuskog filtera za masnoću prema naprijed.

- Zatim ga lagano povucite prema dolje i izvucite (Slika 5). U suprotnom možete saviti filter. Operite i isperite aluminijски filter za masnoću tečnim deterdžentom i vratite aluminijски filter za masnoću na njegovo mjesto izvodeći gore navedene korake obrnutim redoslijedom. Ovaj filter sakuplja čestice masnoće u vazduhu.



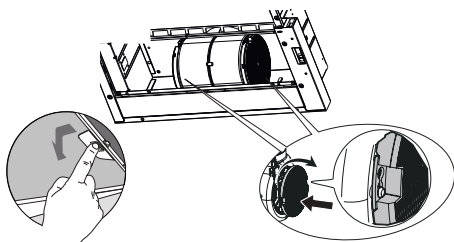
Aluminijске filtre za masnoću možete oprati u mašini za pranje sudova



**OPREZ:** U slučaju normalne upotrebe, očistite aluminijски filter za masnoću jednom mjesečno.

### 4.2 Zamjena karbonskih filtera

Filteri za uklanjanje mirisa sadrže ugljen (aktivni ugljen). U proizvodu moraju biti ugrađeni aluminijски filteri za masnoću, bez obzira na to upotrebljavate li karbonske filtre ili ne.



## 4 Čišćenje i održavanje

- Uklonite aluminijski filter za masnoću.
- Da biste uklonili karbonski filter, izvadite ga iz njegovog kućišta tako da ćete ga okrenuti u smjeru suprotnom od kazaljke na satu.
- Ugradite novi karbonski filter.
- Ugradite aluminijske filtre za masnoću.



### OPREZ

- Karbonski filter nikada se ne pere.
- Zamijenite karbonske filtre jednom svaka 3 mjeseca.
- Karbonski filter možete nabaviti od ovlaštenih servisa.

## 5 Ugradnja uređaja



**UPOZORENJE:** Prije započinjanja ugradnje pročitajte sigurnosne informacije u korisničkom priručniku.



**UPOZORENJE:** Ako ugradnju ne izvršite s vijcima i uređajima za pričvršćivanje u skladu s ovim uputama, može doći do opasnosti od električnog udara.

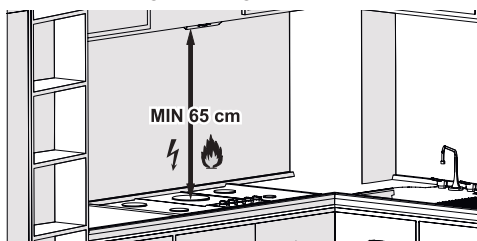


Pogledajte na stranici 133 instrukcije za ugradnju.

Za ugradnju nape obratite se najbližem ovlaštenom servisu kompanije.

Korisnik je odgovoran da pripremi lokaciju i električnu instalaciju za napu.

### 5.1 Položaj uređaja



- Prije montiranja mora se uzeti u obzir udaljenost između šporeta i nape. Ta udaljenost treba biti 65 cm.
- Udaljenost se mora mjeriti od površine rešetke za plinske šporete, od površine stakla za električne šporete.

### 5.2 Funkcije nape



**OPREZ:** Za bušenje i sečenje koristite zaštitne rukavice i naočale.

- Zid mora biti ravan, prav i imati dovoljnu nosivost.
- Dubina rupa za bušenje mora biti u skladu s dužinom vijka.
- Isporučeni vijci i klipovi prikladni su za zidove od opeke. Za drugi građevinski materijal (npr. gipsani zid, ploča, porozni beton) koriste se odgovarajući učvršćivački klipovi i matice.

### 5.3 Čuvanje

- Ako ne planirate da koristite uređaj duže vrijeme, molimo Vas da ga pažljivo odložite.
- Molimo vas, provjerite da li je uređaj isključen, hladan i potpuno suv.
- Ostavite uređaj na suvo i hladno mjesto.

## 5 Ugradnja uređaja

- Držite uređaj van domašaja djece.

### 5.4 Baratanje i transport

- Tokom premeštanja i transporta nosite uređaj spakovan u originalnu ambalažu. Ambalaža štiti uređaj od fizičkih oštećenja.
- Ne stavljajte teret na uređaj ili na ambalažu. Uređaj se može oštetiti.
- Pazite da Vam uređaj ne padne na pod, jer to može izazvati trajna oštećenja i kvar uređaja.

## 6 Rješavanje problema

Rješavanje problema	Razlog	Pomoć
Proizvod nije u funkciji.	Provjerite osigurač.	Možda je vaš osigurač isključen, potrebno je da ga osposobite.
Proizvod nije u funkciji.	Provjerite priključak na napajanje električnom energijom.	Mrežni napon treba biti između 220-240 V.
Proizvod nije u funkciji.	Provjerite priključak na napajanje električnom energijom.	Provjerite da li su u funkciji ostali proizvodi u vašoj kuhinji.
Lampica za rasvjetu ne radi.	Provjerite priključak na napajanje električnom energijom.	Mrežni napon treba biti između 220-240 V.
Lampica za rasvjetu ne radi.	Provjerite prekidač za lampicu.	Prekidač za lampicu trebao bi biti u položaju "uključeno".
Lampica za rasvjetu ne radi.	Provjerite lampice.	Lampice proizvoda ne bi trebalo da budu neispravne.
Ulaz zraka u proizvod je slab.	Provjerite aluminijski filter.	Aluminijski filter za masnoću treba očistiti najmanje jednom mjesečno u normalnim uvjetima.
Ulaz zraka u proizvod je slab.	Provjerite odvodnik zraka.	Prekidač za odvodnik zraka trebao bi biti u položaju "uključeno".
Ulaz zraka u proizvod je slab.	Provjerite karbonski filter.	Za proizvode s karbonskim filterima, filter se obično treba mijenjati svaka 3 mjeseca.

# Nejprve si přečtěte tento návod k použití!

Vážený zákazníku,

Děkujeme, že jste si vybrali tento produkt značky Beko. Doufáme, že s tímto spotřebičem, který byl vyroben s využitím vysoce kvalitní a moderní technologie, dosáhnete těch nejlepších výsledků. Z tohoto důvodu si před použitím spotřebiče pečlivě přečtěte celý návod k použití a jakékoli doplňující dokumenty a uchovejte je pro budoucí použití. Pokud spotřebič předáte další osobě, rovněž jí předejte návod k použití. Dodržujte pokyny a věnujte pozornost všem informacím a varováním uvedeným v návodu k použití.

Nezapomeňte, že se tento návod může vztahovat i k několika jiným modelům. Rozdíly mezi modely jsou v návodu výslovně popsány.

## Význam symbolů

V různých částech tohoto návodu k použití jsou použity následující symboly:



Důležité informace a užitečné tipy k použití.



**VAROVÁNÍ:** Upozornění na nebezpečné situace týkající se ohrožení života a majetku.



Varování před nebezpečím požáru.



Varování před úrazem elektrickým proudem.



RECYKLOVANÝ A  
RECYKLOVATELNÝ  
PAPÍR

## 1.1 Obecné bezpečnostní pokyny

Důležité bezpečnostní pokyny, přečtěte si je pozorně a uchovejte pro pozdější použití

Tento oddíl obsahuje bezpečnostní pokyny, které vám pomohou ochránit před vznikem požáru, zásahem elektrickým proudem, následky unikající mikrovlnné energie, zraněním osob nebo poškozením majetku. Nedodržení těchto pokynů zruší platnost záruky.

• Výrobky značky Beko splňují platné bezpečnostní normy; proto v případě jakéhokoli poškození spotřebiče nebo napájecího kabelu musí být provedena oprava nebo výměna prodejcem, servisním centrem nebo odborníkem z autorizovaného servisu, aby se předešlo nebezpečí. Chybná nebo neodborná oprava může být ne-

bezpečná pro uživatele.

- Toto zařízení je určeno pouze pro domácí a podobné použití, například:
  - v prostorách kuchyňského personálu v obchodech, kancelářích a dalších pracovních prostředích;
  - na farmách;
  - klienty v hotelech a dalších typech obytného prostředí;
  - v prostředí typu Bed and Breakfast.
- Spotřebič používejte pouze k určenému účelu, jak je popsáno v tomto návodu.
- Výrobce nenes odpovědnost za žádné škody plynoucí z nesprávné instalace či nevhodného způsobu použití spotřebiče.
- Tento spotřebič mohou používat děti starší 8 let a osoby s omezenými

- tělesnými, smyslovými nebo mentálními schopnostmi anebo osoby bez příslušných znalostí a zkušeností, pokud jsou pod dozorem nebo byly poučeny o bezpečném užívání tohoto přístroje a chápou související nebezpečí.
- Děti si se spotřebičem nesmí hrát. Čištění a údržba nesmí být prováděny dětmi bez dohledu dospělé osoby.
  - Minimální vzdálenost mezi nosnými plochami varných nádob na varné desce a nejnižší stranou výrobku musí být nejméně 65 cm.
  - Pokud v návodu k instalaci plynové desky najdete větší vzdálenost, je nutno postupovat podle toho.
  - Zkontrolujte, zda vaše napájení odpovídá informacím uvedeným na štítku spotřebiče.
  - Nikdy nepoužívejte spotřebič, pokud je poškozen napájecí kabel nebo spotřebič.
  - Především poškození napájecího kabelu zabrání jeho zmáčknutí, ohnutí nebo odírání o ostré hrany. Napájecí kabel udržujte mimo horké povrchy a otevřený oheň.
  - Spotřebič zapojte pouze do uzemněné zásuvky.
  - **VAROVÁNÍ:** Nezapojte spotřebič do sítě, dokud není instalace zcela dokončena.
  - Spotřebič umístěte tak, aby byla zástrčka vždy přístupná.
  - Nedotýkejte se žárovek, pokud jsou v provozu delší dobu. Mohou spálit ruce, protože budou horké.
  - Dodržujte předpisy stanovené příslušnými úřady o vypouštění odpadního vzduchu (toto upozornění

se nevztahuje na použití bez kouřovodu).

- Spusťte spotřebič po umístění hrnce, pánve apod. na varnou desku. V opačném případě může vysoká teplota způsobit deformaci některých částí výrobku.
- Před sejmutím hrnce, pánve apod. vypněte varnou desku.
- Nenechávejte na varné desce horký olej. Nádoby s horkým olejem mohou způsobit samovznícení.
- Dávejte pozor na záclony a závěsy, protože olej se může při smažení některých potravin, jako jsou hranolky, vznítit.
- Tukový filtr musí být vyměněn nejméně jednou měsíčně. Uhlíkový filtr musí být vyměněn nejméně každé 3 měsíce.
- Spotřebič musí být čištěn v souladu s návodem k použití. Pokud čištění nebylo provedeno v souladu s návodem k použití, může hrozit nebezpečí požáru.
- Namísto stávajícího filtru nepoužívejte filtrační materiály neodolné proti ohni.
- Používejte pouze originální části doporučené výrobcem.
- Neprovozujte spotřebič bez filtru a neodstraňujte filtry, když je spotřebič spuštěn.
- V případě, že dojde k zapálení plamene, vypněte napájení spotřebiče a vaříčů.
- V případě, že dojde k zapálení plamene, plamen zakryjte a nikdy k jeho hašení nepoužívejte vodu.
- Spotřebič odpojte před každým čištěním a v případě, že jej nepoužíváte.
- Podtlak v místnosti nesmí překročit 4 Pa (4 x 10 bar), zatímco digestoř pro elektrickou varnou desku a spotřebiče pracující na

jiném typu energie, než je elektřina, pracují současně.

- V prostředí, kde je spotřebič používán, musí být odvětrávání zařízení běžících na topném oleji nebo plynu, jako je teplovzdušný ventilátor, naprosto izolováno nebo zařízení musí být hermetického typu.
- Při připojování kouřovodu použijte trubky o průměru 120 nebo 150 mm. Připojení trubek musí být co nejkratší a mít co nejméně záhybů.

**Riziko zadušení!** Všechny obaly uchovejte mimo dosah dětí.

**UPOZORNĚNÍ:** Přístupné součástky se mohou zahřát při použití s vařiči.

- Vývod spotřebiče nesmí být připojen ke vzduchovodům, do kterých je veden jiný kouř.
- Ventilace v místnosti může být nedostatečná, pokud je digestoř pro elektrickou

varnou desku používána současně se zařízeními na plyn nebo jiná paliva (to neplatí pro spotřebiče, které vypouštějí vzduch zpět do místnosti).

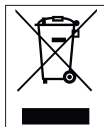
- Předměty umístěné na spotřebiči mohou spadnout. Na spotřebič neumisťujte žádné předměty.
- Pod spotřebičem nikdy ne-flambujte.

**VAROVÁNÍ:** Před instalací digestoře odstraňte ochranné fólie.

- Nikdy nenechávejte obnažený plamen pod digestoří, která je zapnutá.
- Pánve na smažení je nutno během používání stále sledovat: přehřátý olej může vzplanout.

### 1.2 Shoda se směrnici OEEZ a likvidace výrobku:

Tento výrobek splňuje požadavky směrnice EU OEEZ (2012/19/EU). Tento výrobek je označen symbolem pro třídění elektrického a elektronického odpadu (OEEZ).



Tento symbol znamená, že příslušný výrobek na konci jeho životnosti nesmí být likvidován spolu s jiným domácím odpadem. Použité zařízení musíte

odnést do oficiální sběrný pro recyklaci elektrických a elektronických zařízení. Obratě se na místní úřady nebo na prodejce, u kterého jste si zařízení zakoupili, a informujte se o umístění sběrných zařízení. Každá domácnost hraje důležitou roli ve sběru a recyklaci starých zařízení.

Správná likvidace starého zařízení pomáhá předejít možným negativním následkům pro životní prostředí a lidské zdraví.

## 1.3 Dodržování směrnice RoHS

Výrobek, který jste zakoupili, splňuje požadavky směrnice EU RoHS (2011/65/EU). Neobsahuje škodlivé ani zakázané materiály specifikované ve směrnici.

## 1.4 Informace o balení



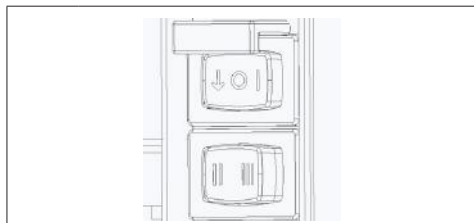
Obalové materiály produktu jsou vyrobeny z recyklovatelných materiálů v souladu s naší národní legislativou na ochranu životního prostředí.

Obalové materiály nelikvidujte společně s domácím nebo jiným druhem odpadu. Odveďte je na sběrné místo obalových materiálů určené místními úřady.



## 3 Používání spotřebiče

### 3.1 Ovládání spotřebiče



↓	Aktivuje 2. a 3. rychlostní stupeň.
I	Stiskněte tlačítko „I“ pro provoz na 1. rychlostní úrovni.
O	Když jej otočíte do polohy „O“, zařízení se vypne. Při zavření posuvného panelu se zároveň zařízení vypne.
II	Stiskněte tlačítko „II“ pro provoz na 2. rychlostní úrovni.
III	Stiskněte tlačítko „III“ pro provoz na 3. stupni rychlosti.

### 3.2 Pokyny k použití

- Váš spotřebič má motor, který pracuje různými rychlostmi.
- Pro dosažení lepší výkonnosti doporučujeme za normálních podmínek používat nízké rychlosti a vysoké rychlosti používat v případě silných zápachů a intenzivních par.
- Spotřebič můžete zapnout stisknutím tlačítka požadované rychlosti. (I, II, III)
- Po otevření posuvného panelu se kontrolka rozsvítí, po zavření posuvného panelu kontrolka zhasne.

### 3.3 Energeticky účinný provoz z hlediska úspory Použití

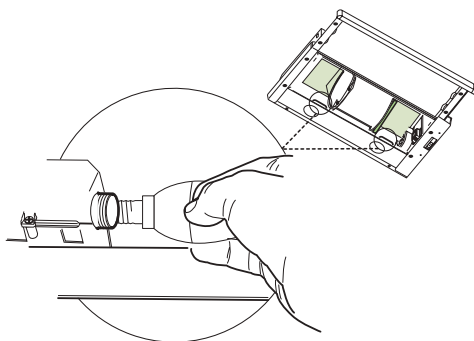
- Při používání spotřebiče upravte nastavení rychlosti podle intenzity páry a zápachu, abyste ušetřili energii.
- Za normálních podmínek používejte nízké rychlosti (I–II) a vysokou rychlost

(II) používejte pro intenzivní zápach a páry.

- Žárovky jsou na digestoři umístěny za účelem osvětlení oblasti vaření.
- Jejich používání na osvětlení většího prostoru povede ke zbytečné spotřebě energie a k nedostatečnému osvětlení.
- Chcete-li, aby zařízení spotřebovalo méně energie, spouštějte jej při nízkých otáčkách.
- Vaše zařízení sníží spotřebu energie, protože bude pracovat efektivněji, když mu zabezpečíte dostatečný přívod vzduchu.
- V případech, kdy víte, že dojde k vytvoření husté páry, nastavte zařízení na úroveň intenzivního sacího výkonu před vznikem páry. Spotřebu energie tak snížíte tím, že zařízení budete používat kratší dobu, protože bude mít dostatečný přívod vzduchu.
- Poklice nádobí nechte zakryté, abyste snížili vývoj páry.

### 3.4 Výměna žárovky

Vyjměte hliníkový vložkový filtr. Vyjměte vadnou žárovku a vyměňte ji za novou se stejnými hodnotami.



## 3 Používání spotřebiče

Žárovka	
Příkon žárovky	4 W
Držák/objímka	E14
Napětí žárovky	220 - 240 V
Velikost	35x100 mm
Kód ILCOS	DRBB/F-4-220-240-E14-35/100
Světelný tok	400 ml
Související teplota barvy	3000 K

Tento výrobek obsahuje světelný zdroj třídy energetické účinnosti "F".

- V tomto produktu je použita LED lampa typu svíčky.
- Při výměně žárovky by měla být použita žárovka s maximálním příkonem 4 W.

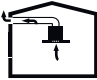


- Před výměnou žárovek odpojte napájení odsavače par.
- Nedotýkejte se žárovek, když jsou horké.
- Dávejte pozor, abyste nahrazené žárovky nedotýkaly přímo rukama.




Lampy si můžete pořídit u autorizovaných servisních zástupců.

### 3.5 Používání s připojením ke kouřovodu

-  Pára je odsávána potrubím kouřovodu, které je upevněno k připojovací hlavě na digestoři.
- Průměr potrubí kouřovodu musí být

stejný jako u připojovacího prstence. Při vodorovném nastavení musí mít potrubí mírný sklon směrem nahoru (kolem 10°), aby mohl vzduch snadněji odcházet z místnosti.

### 3.6 Používání bez připojení ke kouřovodu

-  Vzduch se filtruje přes uhlíkový filtr a recirkuluje v místnosti. Uhlíkový filtr se používá, když není v domě možné použít kouřovod.
- Při použití bez kouřovodu vyjměte klapky uvnitř adaptéru kouřovodu.
- Vyjměte olejový filtr. Chcete-li nainstalovat uhlíkový filtr, nasadte filtr na příchytky vystředěním na plastový díl na obou stranách tělesa ventilátoru. Utáhněte jej otáčením doprava nebo doleva.
- Vyměňte hliníkový olejový filtr.

## 4 Čištění a údržba

Zařízení by se mělo pravidelně čistit a udržovat. Pokud nebudete zařízení udržovat v čistotě, bude to mít negativní vliv na životnost zařízení. Při čištění a údržbě postupujte podle pokynů uvedených v příručce.



Před čištěním a údržbou odpojte spotřebič ze sítě nebo vypněte hlavní vypínač nebo uvolněte pojistku, která napájí odsavač par.

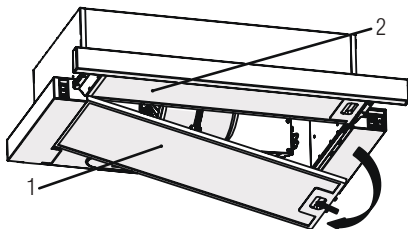


Nedodržení ustanovení týkajících se čištění zařízení a výměny filtrů může mít za následek riziko požáru. Proto se doporučuje dodržovat zde uvedené pokyny. Výrobce neodpovídá za poškození motoru nebo za požáry vzniklé v důsledku nesprávného používání.

Čistěte pouze pomocí hadříku navlhčeného v neutrálním tekutém čisticím prostředku. Nečistěte pomocí přístrojů nebo nástrojů. Nepoužívejte abrazivní produkty. Nepoužívejte alkohol.

### 4.1 Čištění hliníkových olejových filtrů

Tento filtr zadržuje částice oleje ve vzduchu. Hliníkové olejové filtry mohou při omývání změnit barvu. Je to normální a neznamená to potřebu výměny hliníkových olejových filtrů.



1. Externí tukový filtr

2. Vnitřní tukový filtr

- Vytáhněte posuvnou desku uchopením za přední panel. Nejprve vyjměte vnější tukový filtr a poté vnitřní tukový filtr.
- Zatlačte zámek hliníkového olejového filtru dopředu.
- Potom jej lehce táhněte dolů a vytáhněte ven. Jinak se může filtr ohnout. Hliníkové olejové filtry omyjte a opláchněte tekutým čisticím prostředkem a vraťte je do jejich lůžek provedením výše uvedených kroků v opačném pořadí. Tyto hliníkové olejové filtry se používají k zadržení olejových částic ve vzduchu.



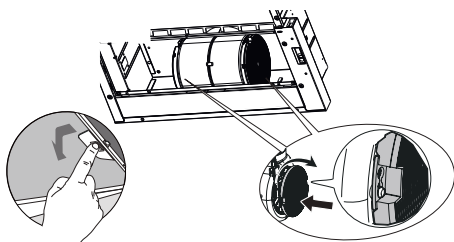
Hliníkové olejové filtry můžete také mýt v myčce.



**UPOZORNĚNÍ:** V případě běžného používání hliníkový olejový filtr vyčistěte jednou za měsíc.

### 4.2 Výměna uhlíkových filtrů

Filtry pro odstranění zápachu obsahují aktivní uhlí. Ve výrobku musí být nainstalovány tukové filtry, bez ohledu na to, zda jsou nebo nejsou používány uhlíkové filtry.



- Vyjměte hliníkový olejový filtr.
- Chcete-li vyjmout uhlíkový filtr, vyjměte

## 4 Čištění a údržba

uhlíkový filtr z jeho krytu otáčením proti směru hodinových ručiček od příchytky.

- Nainstalujte nový uhlíkový filtr.
- Nainstalujte hliníkový olejový filtr.



### UPOZORNĚNÍ

- Uhlíkový filtr se nesmí nikdy mýt.
- Uhlíkové filtry vyměňte jednou za 3 měsíce.
- Uhlíkový filtr můžete získat v autorizovaných servisech.

## 5 Instalace spotřebiče



**UPOZORNĚNÍ:** Před zahájením instalace si přečtěte bezpečnostní informace v uživatelské příručce.



**UPOZORNĚNÍ:** Pokud nebudete šrouby a stabilizátory instalovat podle těchto pokynů, může dojít k úrazu elektrickým proudem.

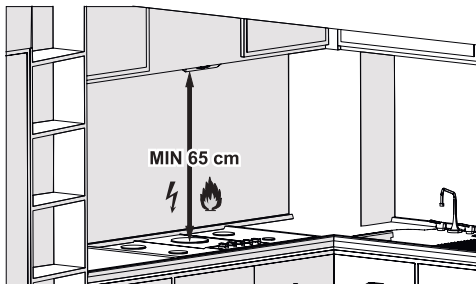


Instalační příručku najdete na straně 133.

Chcete-li si nechat digestoř nainstalovat, obraťte se na nejbližší autorizovaný servis.

Za přípravu místa a elektrickou instalaci pro digestoř odpovídá zákazník.

### 5.1 Umístění spotřebiče



- Před instalací je nutno zvážit vzdálenost mezi sporákem a digestoří. Tato vzdálenost by měla být 65 cm.
- U plynových sporáků se vzdálenost musí měřit od povrchu roštu, u elektrických sporáků od povrchu skla.

### 5.2 Instalace spotřebiče



**UPOZORNĚNÍ:** Při vrtání a řezání použijte ochranné rukavice a brýle.

### 5.3 Skladování

- Pokud nechcete přístroj používat delší dobu, patrně ho uložte.
- Ujistěte se, že je trouba odpojena od elektrické sítě, vychlazená a zcela suchá.
- Spotřebič skladujte na chladném a suchém místě.
- Držte přístroj mimo dosah dětí.

### 5.4 Zacházení a přeprava

- Během manipulace a přepravy uchovávejte přístroj v původním obalu. Balení chrání spotřebič před fyzickým poškozením.
- Na zařízení ani na obal nepokládejte těžká břemena. Může dojít k poškození

## 5 Instalace spotřebiče

spotřebiče.

- Pád přístroje může způsobit jeho nefunkčnost nebo trvalé poškození.

## 6 Řešení problémů

Řešení problémů	Důvod	Pomoc
Produkt nefunguje.	Zkontrolujte pojistky.	Vaše pojistka může být vybitá, zprovozněte ji.
Produkt nefunguje.	Zkontrolujte elektrické připojení.	Síťové napětí má být mezi 220-240 V.
Produkt nefunguje.	Zkontrolujte elektrické připojení.	Zkontrolujte, zda fungují ostatní výrobky v kuchyni.
Lampa osvětlení nefunguje.	Zkontrolujte elektrické připojení.	Síťové napětí má být mezi 220-240 V.
Lampa osvětlení nefunguje.	Zkontrolujte spínač lampy.	Spínač lampy musí být v poloze "zapnuto".
Lampa osvětlení nefunguje.	Zkontrolujte lampu.	Lampy produktu nesmí být vadné.
Přívod vzduchu do výrobku je slabý.	Zkontrolujte hliníkový filtr.	Hliníkový filtr na olej za obvyklého používání je třeba vyčistit alespoň jednou za měsíc.
Přívod vzduchu do výrobku je slabý.	Zkontrolujte kryt vzduchovodu.	Vzduchovod musí být v poloze "zapnuto".
Přívod vzduchu do výrobku je slabý.	Zkontrolujte uhlíkový filtr.	U výrobků s uhlíkovými filtry filtr obvykle vyměňujte každé 3 měsíce.

# Lees eerst deze gebruikershandleiding!

Zeer gewaardeerde klant,

Bedankt voor uw voorkeur voor dit Beko-toestel. Wij hopen dat u de beste resultaten haalt uit uw toestel dat met hoge kwaliteit en de modernste technologie is geproduceerd. Lees daarom deze gehele gebruikershandleiding en alle andere bijgeleverde documenten zorgvuldig door voordat u het apparaat gaat gebruiken en bewaar deze ter referentie in de toekomst. Als u het product aan iemand anders geeft, overhandig dan ook de gebruikershandleiding. Volg de instructies op door op alle informatie en waarschuwingen te letten in de gebruikershandleiding.

Vergeet niet dat deze gebruikershandleiding ook van toepassing kan zijn op andere modellen. Verschillen tussen de modellen worden expliciet beschreven in de handleiding.

## Betekenis van de symbolen

De volgende symbolen worden gebruikt in de verschillende delen van deze handleiding:



Belangrijke informatie en nuttige tips over het gebruik.



**WAARSCHUWING:** Waarschuwingen voor levensgevaarlijke situaties en schade aan eigendommen.



**WAARSCHUWING:** Waarschuwing voor brandgevaar.



**WAARSCHUWING:** Gevaar voor elektrische schok.



GERECYCLEERD &  
RECYCLEERBAAR  
PAPIER

## 1.1 Algemene veiligheid

Belangrijke veiligheidsinstructies. Lees zorgvuldig en bewaar ter referentie in de toekomst Dit deel bevat veiligheidsinstructies die u beschermen tegen het risico op brand, elektrische schok, blootstelling aan lekkende magnetronstralen, persoonlijk letsel of materiële schade. Het niet opvolgen van deze instructies maakt elke garantie ongeldig.

- Beko-producten voldoen aan de van toepassing zijnde veiligheidsnormen; daarom moet in het geval van beschadiging aan het apparaat of het stroomsnoer dit worden gerepareerd of vervangen door de dealer, het servicecentrum of een specialist en erkende service om elk gevaar te vermijden. Verkeerd of niet-gekwalificeerd reparatiewerk kan gevaarlijk zijn en een risico

vormen voor de gebruiker.

- Dit apparaat is bedoeld voor huishoudelijk gebruik en vergelijkbare toepassingen zoals:
  - personeelskeukens in winkels, kantoren en andere werkomgevingen;
  - boerderijen;
  - bij klanten in hotels en andere types van overnachtingsomgevingen;
  - omgevingen van het type bed-and-breakfast.
- Gebruik dit apparaat uitsluitend voor het beoogde doel zoals beschreven in deze handleiding.
- De producent kan niet aansprakelijk worden gehouden voor schade die is ontstaan door ongeschikte installaties of onjuist gebruik van het product.
- Dit apparaat kan worden gebruikt door kinderen

vanaf 8 jaar en personen met verminderde fysieke, zintuiglijke of mentale vermogens, of met een gebrek aan ervaring en kennis, als deze onder toezicht staan of instructies hebben gekregen betreffende het veilige gebruik van het apparaat en op de hoogte zijn van de betrokken gevaren.

- Laat kinderen niet met het apparaat spelen. Reiniging en gebruikersonderhoud dienen niet zonder toezicht door kinderen uitgevoerd te worden.
- De minimale afstand tussen het ondersteunende oppervlak voor het kookgerei op de kookplaat en het laagste gedeelte van uw product moet minstens 65 cm zijn.
- Als de installatie-instructies voor het gasfornuis een grotere afstand aangeeft, dient hier rekening mee te worden gehouden.

- Zorg ervoor dat uw netstroom overeenkomt met de informatie die staat op het typeplaatje van het apparaat.
- Gebruik het apparaat nooit als de stroomkabel of het apparaat zelf beschadigd is.
- Vermijd schade aan de stroomkabel door knijpen, buigen of wrijven langs scherpe randen. Houd de stroomkabel uit de buurt van hete oppervlakken en open vuur.
- Gebruik het apparaat uitsluitend met een geaard stopcontact.

**WAARSCHUWING:** Sluit het apparaat niet op het stroomnetwerk aan totdat de installatie volledig is afgerond.

- Plaats het apparaat zodanig dat de stekker altijd toegankelijk is.
- De verlichting na langdurige werking niet aanraken. De lampen zijn heet

en kunnen uw handen verbranden.

- Volg de voorschriften op die door de deskundige autoriteiten zijn bepaald wat betreft de luchtafvoer (deze waarschuwing is niet van toepassing bij gebruik zonder rookkanaal).
- Zet het apparaat aan nadat er een pan op de kookplaat is gezet. Anders kan de hoge warmte in sommige delen van uw product vervorming veroorzaken.
- Zet de kookplaat uit voordat u de pan van de kookplaat haalt.
- Laat geen hete olie achter op de kookplaat. Pannen met hete olie kunnen in brand vliegen.
- Let op uw gordijnen en andere afdekkingen, want olie kan bij de bereiding van bijvoorbeeld patat in brand vliegen.
- Vetfilters moeten minstens eens per maand worden vervangen. Koolstoffilters moeten minstens eens per 3 maanden worden vervangen.
- Het product moet worden gereinigd in overeenstemming met de gebruikershandleiding. Als bij reiniging de gebruikershandleiding niet wordt opgevolgd, kan er brandgevaar ontstaan.
- Gebruik in plaats van het huidige filter geen filtermaterialen die niet vuurbestendig zijn.
- Gebruik alleen de originele onderdelen of onderdelen aanbevolen door de fabrikant.
- Gebruik het product niet zonder filter en verwijder de filters niet als het product in werking is.
- In het geval er vlammen ontstaan, schakelt u uw apparaat en kooktoestellen uit.

- Bedek de vlammen als deze ontstaan en blus ze nooit met water.
  - Trek de stekker van het apparaat uit het stopcontact vóór elke reiniging en wanneer het apparaat niet in gebruik is.
  - De negatieve druk in de ruimte mag niet hoger zijn dan 4 Pa (4 x 10 bar) als de afzuigkap voor de elektrische kookplaat en apparaten op een andere energiebron werken, maar de stroom tegelijkertijd in werking is.
  - In de ruimte waar het apparaat wordt gebruikt, moeten de uitlaten van apparaten die op olie of gas werken, zoals een kamerverwarming, volledig worden geïsoleerd of het apparaat moet van een hermetisch afgesloten type zijn.
  - Gebruik om het rookkanaal aan te sluiten pijpen met een diameter van 120 of 150 mm. De pijp aansluiting moet zo kort mogelijk zijn en zo min mogelijk elbogen hebben.
  - Verstikkingsgevaar! Houd alle verpakkingsmaterialen uit de buurt van kinderen.
- LET OP.** Toegankelijke delen kunnen indien gebruikt met kookapparaten heet worden.
- De afvoer van het product mag niet worden aangesloten op luchtkanalen die een ander soort rook bevatten.
  - Er kan onvoldoende ventilatie in de ruimte zijn als de afzuigkap voor de elektrische kookplaat tegelijk wordt gebruikt met de toestellen die op gas of andere brandstoffen werken (dit is mogelijk niet van toepassing op apparaten die de lucht uitsluitend terug in de ruimte brengen).
  - Op het product geplaatste voorwerpen kunnen vallen. Plaats geen voorwerpen op het product.

- Flambeer niet onder uw product.

**WAARSCHUWING:** Verwijder de beschermende folie voordat u de afzuigkap installeert.

- Zorg tijdens de werking dat er zich onder de afzuigkap nooit hoge vlammen bevinden.
- Frituurpannen moeten tijdens gebruik voortdurend onder toezicht staan: oververhitte olie kan in brand vliegen.

## 1.2 Naleving van de WEEE-norm en verwerking van afvalproducten:

Dit product voldoet aan de WEEE-norm van de EU (2012/19/EU). Dit product heeft een classificatiesymbool voor verwerking van elektrische en elektronische apparatuur (WEEE).



Dit symbool geeft aan dat dit product niet met ander huishoudelijk afval mag worden weggegooid aan het einde van zijn levensduur. Het gebruikte

apparaat moet worden geretourneerd naar het officiële inzamelpunt voor recycling van elektrische en elektronische apparaten. Om deze inzamelpunten te vinden kunt u contact opnemen met uw lokale autoriteiten of detailhandelaar waar het product werd verkocht. Ieder huis-

houden voert een belangrijke rol uit in terugwinnen en recycling van oude apparatuur. Een juiste afvalbehandeling levert een bijdrage ter voorkoming van de negatieve gevolgen voor het milieu en de volksgezondheid.

## 1.3 Naleving van de RoHS-richtlijn

Het door u aangekochte product voldoet aan de EU RoHS-norm (2011/65/EU). Het bevat geen schadelijke en verboden materialen die in de norm zijn vermeld.

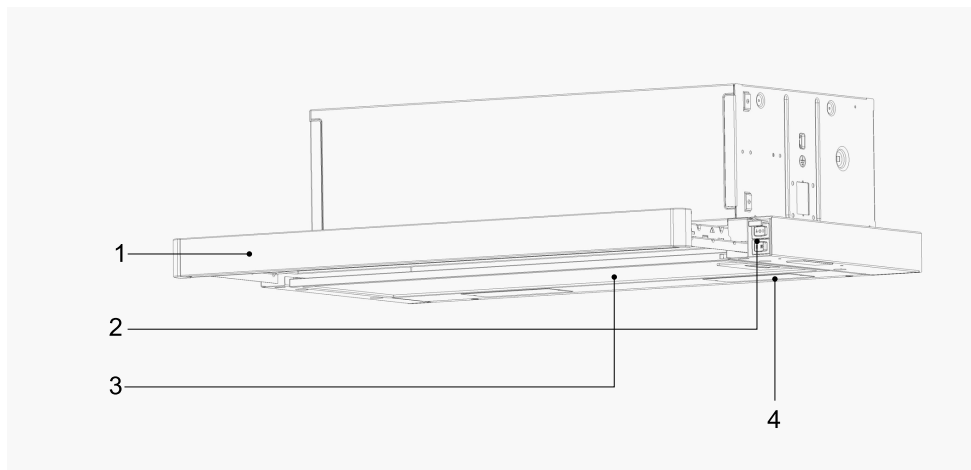
## 1.4 Verpakkingsinformatie



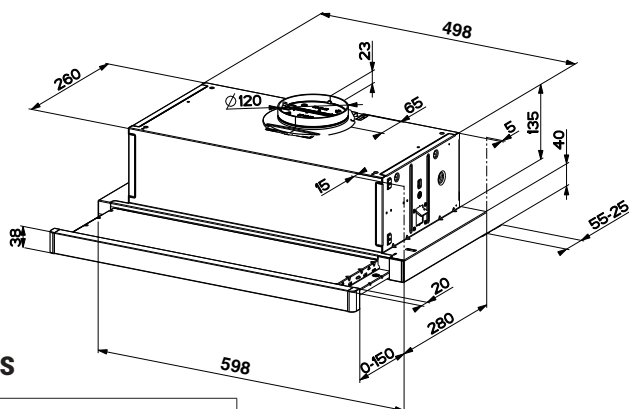
Verpakkingsmaterialen van het product zijn gemaakt uit recycleerbare materialen in overeenstemming met onze nationale milieuverordeningen. Gooi de verpakkingsmaterialen niet samen met het huishoudelijk afval of ander afval weg. Breng ze naar de inzamelpunten voor verpakkingsmaterialen aangewezen door de lokale instanties.

## 2 Algemeen uiterlijk

### 2.1 Overzicht



1. Schuifpaneel
2. Bedieningspaneel
3. Vetfilter
4. Verlichting

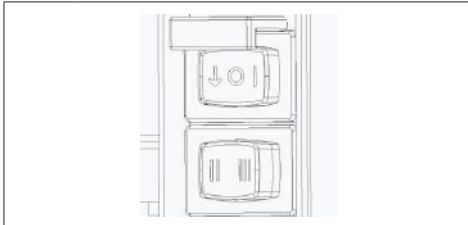


### 2.2 Technische gegevens

<b>Model</b>	HNT 61311 X HNT 61311 XH HNT 61310 BH HNT 61310 WH
<b>Netspanning en frequentie</b>	220-240V ~ 50 Hz
<b>Lampvermogen</b>	2 x 4 W
<b>Motorvermogen</b>	115 W
<b>Debiet – 2. Niveau</b>	300 m <sup>3</sup> /h
<b>Isolatieklasse van motor</b>	KLASSE F
<b>Isolatieklasse</b>	KLASSE I

## 3 Werking van het apparaat

### 3.1 Bediening van het toestel



↓	Activeert de 2e en 3e snelheidsniveaus.
I	Druk op knop „I” om op het 1e snelheidsniveau te werken.
○	Wanneer u het naar de „○” -positie draait, wordt het apparaat uitgeschakeld. Tegelijkertijd wordt het apparaat uitgeschakeld wanneer het schuifpaneel wordt gesloten.
II	Druk op knop „II” om op het 2e snelheidsniveau te werken.
III	Druk op knop „III” om in het 3e snelheidsniveau te werken.

### 3.2 De bediening van de afzuigkap

- Uw toestel bevat een motor met verschillende snelheden.
- Voor betere prestaties raden wij aan om lage snelheden te gebruiken onder normale omstandigheden en hoge snelheden in geval van sterke geuren en intense dampen.
- U kunt uw apparaat starten door op de gewenste snelheidsinsteltoets te drukken. (I, II, III).
- Als het schuifpaneel wordt geopend, gaat de lamp branden, als de schuif wordt gesloten, gaat de lamp uit.

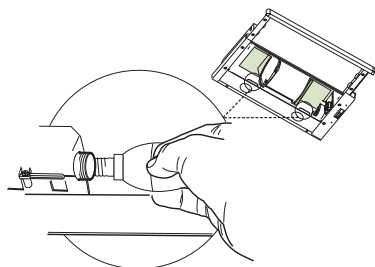
### 3.3 Energie-efficiënt gebruik

- Wanneer u uw apparaat gebruikt, moet u de snelheidsinstellingen aanpassen aan de intensiteit van de damp en de geur, om energie te besparen.

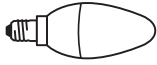
- Gebruik lage snelheden (I-II) onder normale omstandigheden, en hoge snelheden (III) voor intense geur en damp.
- De lampen op de afzuigkap zijn geplaatst voor het verlichten van de kookzone.
- Het gebruik ervan voor milieuverlichting moet leiden tot onnodige energie-uitgaven en onvoldoende verlichting.
- Om uw apparaat minder energie te doen verbruiken, moet u het aan het laagste snelheidsniveau inschakelen.
- Uw apparaat zal het energieverbruik verminderen aangezien het efficiënter zal werken als u voldoende luchtinlaat voorziet.
- Stel uw apparaat in op het intense zuigvermogensniveaus voor de vorming van stoom, in situaties waar u weet dat er veel stoom zal ontstaan. U kunt uw energieverbruik dus verminderen door uw apparaat gedurende kortere periodes te gebruiken aangezien het voldoende luchtinlaat zal hebben.
- Houd de deksels van kookgerei gesloten om de evolutie van stoom te verminderen.

### 3.4 Vervanging van de lamp

Verwijder de aluminium filtercassette. Verwijder de defecte lamp en vervang deze door een nieuwe met dezelfde waarde.




## 3 Werking van het apparaat

Lamp	
Lampvermogen	4 W
Houder / Stopcontact	E14
Lampspanning	220 - 240 V
Afmeting	35x100 mm
ILCOS Code	DRBB/F-4-220-240-E14-35/100
Lichtstroom	400 ml
Gecorreleerde kleurtemperatuur	3000 K

Dit product bevat een lichtbron van energie efficiëntieklasse "F".

- In dit product wordt een ledlamp van het kaarstype gebruikt.
- Bij het vervangen van de lamp moet een lamp van max. 4 W worden gebruikt.

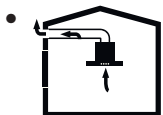


- U moet de stroomtoevoer van de afzuigkap uitschakelen voor u de lampen vervangt.
- Raak de lampen niet aan als ze warm zijn.
- Zorg ervoor de vervangen lamp niet rechtstreeks aan te raken met de handen.



U kunt lampen kopen bij geautoriseerde service vertegenwoordigers.

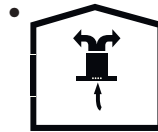
### 3.5 Bediening met schouwaansluiting



De damp wordt afgezogen via het rookkanaal, dat aan de aansluitkop op de kap wordt bevestigd.

- De diameter van het rookkanaal moet gelijk zijn aan de aansluitring. Bij een horizontale opstelling moet de buis een lichte opwaartse helling hebben (ongeveer 10°), zodat de lucht gemakkelijk de ruimte kan verlaten.

### 3.6 Bediening zonder schouwaansluiting



De lucht wordt door het koolstoffilter gefilterd en in de ruimte gerecirculeerd. Koolstoffilter wordt gebruikt wanneer

het onmogelijk is om een schoorsteen in huis te gebruiken.

- Bij gebruik zonder afvoer verwijdert u de kleppen in de rookgasadapter.
- Het aluminium vetfilter verwijderen. Om het koolstoffilter te installeren, plaatst u het filter op de lipjes door het te centreren op het kunststofstuk aan beide zijden van het ventilatorhuis. draai het vast door naar rechts of naar links te draaien.
- Het aluminium vetfilter vervangen.

## 4 Reiniging en onderhoud

«Het apparaat moet regelmatig worden gereinigd en onderhouden. Als het apparaat niet schoon wordt gehouden, zal dit de nuttige levensduur van het apparaat beïnvloeden. Volg de instructies in de handleiding voor de reiniging en het onderhoud.»



Trek de stekker uit het stopcontact of zet de schakelaar uit voordat u het product reinigt en onderhoudt.

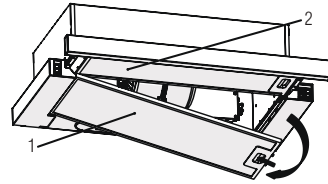


Niet-naleving van de voorzieningen geassocieerd met de reiniging van het apparaat en de vervanging van de filters kan resulteren in brandrisico. Om die reden is het aanbevolen de hier vermelde richtlijnen te volgen. De fabrikant is niet verantwoordelijk voor schade aan de motor of brand veroorzaakt door een incorrect gebruik.

Reinig uitsluitend met een doek die is vochtig gemaakt in een neutraal reinigingsmiddel. Niet reinigen met gereedschap of instrumenten. Gebruik geen schurende producten. Gebruik geen alcohol.

### 4.1 Reiniging van het vetfilter

Het vetfilter houdt de oliedeeltjes in de lucht vast. De kleur van de vetfilters kan na herhaalde reiniging wijzigen. Dit is normaal en u hoeft de filters niet te vervangen.



1. Extern vetfilter

2. Intern vetfilter

- Trek de schuifplaat uit door het voorpaneel vast te houden. Verwijder eerst het externe vetfilter en daarna het interne vetfilter.
- Duw de vergrendeling van het vetfilter naar voor.
- Laat het daarna zachtjes zakken en trek het uit. Anders kun je het filter buigen. Was en spoel de vetfilters met vloeibaar wasmiddel en vervang de vetfilters filters in hun contactdozen door de bovenstaande stappen in omgekeerde volgorde uit te voeren. Dit filter houdt de oliedeeltjes in de lucht vast.



U kunt het uw vetfilters wassen in de vaatwasmachine.

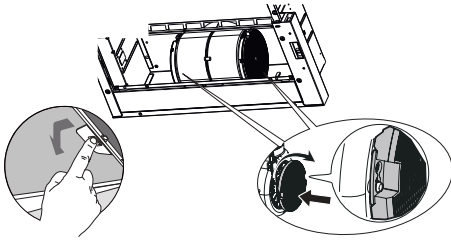


**OPGELET:** Bij normaal gebruik moet u uw filter één keer per maand reinigen.

### 4.2 Vervanging van de koolstoffilters

Geurverwijderende filters bevatten houtskool (actieve kool). Vetfilters moeten in het product worden geïnstalleerd, ongeacht of er al dan niet koolstoffilters worden gebruikt.

## 4 Reiniging en onderhoud



- Het vetfilter verwijderen.
- Om het koolstoffilter te verwijderen, verwijdert u het koolstoffilter uit de behuizing door het linksom te draaien van de tab.

- Installeer het nieuwe koolstoffilter.
- Installeer het vetfilter.

### OPGELET



- Koolstoffilter mag nooit worden gewassen.
- Vervang de koolstoffilters eens in de 3 maanden.
- Het koolstoffilter is verkrijgbaar bij de geautoriseerde diensten.

## 5 Installatie van het apparaat



**WAARSCHUWING:** Lees de veiligheidsinformatie in de gebruikershandleiding voordat u met de installatie begint.



**WAARSCHUWING:** Het niet installeren met schroeven en stabilisatoren in overeenstemming met deze instructies kan leiden tot elektrische schokken.

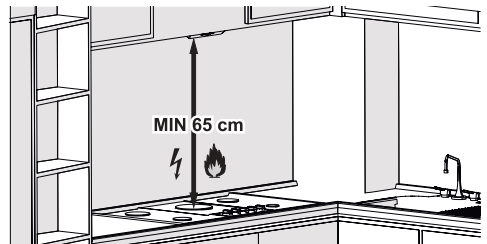


Raadpleeg pagina 133 voor de installatiegids.

Neem voor de installatie van de kap contact op met de dichtstbijzijnde geautoriseerde service.

Het is de verantwoordelijkheid van de klant om de locatie en de elektrische installatie van de kap voor te bereiden.

### 5.1 Positie van het apparaat



- De afstand tussen het kooktoestel en de afzuigkap moet vóór de montage in acht worden genomen. De afstand moet 65 cm bedragen.
- Bij gasfornuizen moet de afstand tot het oppervlak van het rooster worden gemeten, van het glazen oppervlak voor elektrische fornuizen.

### 5.2 Installatie van het apparaat



**WAARSCHUWING:** Maak gebruik van beschermende handschoenen en bril tijdens boren en zaagwerkzaamheden.

## 5 Installatie van het apparaat

### 5.3 Opslag

- Als u van plan bent het apparaat gedurende een lange periode niet te gebruiken, ruim het dan zorgvuldig op.
- Zorg ervoor dat het apparaat los is van het stopcontact, volledig is afgekoeld en compleet droog is.
- Bewaar het apparaat op een koele en droge plaats.
- Bewaar het apparaat buiten het bereik van kinderen.

### 5.4 Hantering en transport

- Wanneer u het apparaat hanteert en verplaatst, moet u het in de originele verpakking dragen.
- De verpakking van het apparaat beschermt het tegen fysieke schade.
- Plaats geen zware lasten op het apparaat of op de verpakking. Het apparaat kan worden beschadigd.

## 6 Probleemoplossing

Probleemoplossing	Reden	Help
Het product werkt niet.	Controleer uw zekering.	Uw zekering is mogelijk afgesloten, schakel ze in.
Het product werkt niet.	Controleer de elektrische aansluiting.	De netspanning moet tussen 220-240 V bedragen.
Het product werkt niet.	Controleer de elektrische aansluiting.	Controleer of de andere producten in uw keuken werken.
De lamp werkt niet.	Controleer de elektrische aansluiting.	De netspanning moet tussen 220-240 V bedragen.
De lamp werkt niet.	Controleer de schakelaar van de lamp.	De lampschakelaar moet in de "Aan" positie staan.
De lamp werkt niet.	Controleer de lampen.	De lampen van het product mogen niet defect zijn.
De luchtinlaat van het product is slecht.	Controleer het aluminium filter.	Het aluminium oliefilter moet één maal per maand worden gewassen bij normaal gebruik.
De luchtinlaat van het product is slecht.	Controleer het luchtuitlaat rookkanaal.	Het luchtuitlaat rookkanaal moet in de "Aan" positie staan.
De luchtinlaat van het product is slecht.	Controleer het koolstoffilter.	Voor producten met koolstoffilters moet het filter normaal gezien elke drie maanden worden vervangen.

### **Slijtage door normaal gebruik**

U heeft een Beko of Grundig Groot huishoudelijk product gekocht waarvan u bij goed gebruik vele jaren plezier kunt hebben. Goed gebruik betekent dat u de instructies in de gebruiksaanwijzing toepast, vooral die over de wijze van gebruik en onderhoud. Dit is erg belangrijk voor een goede werking van het product, ook op de lange termijn. Daarnaast moet u er rekening mee houden dat elk product slijtagegevoelige onderdelen bevat. Sommige onderdelen slijten pas nadat de normale levensduur van het product voorbij is. Andere onderdelen slijten eerder, al voordat de normale levensduur van het product voorbij is. Het is met die onderdelen net als met een auto: ruitenwissers en banden moeten vaak al na enkele jaren worden vervangen, terwijl de auto zelf nog heel veel jaren mee kan.

Bij elektrisch-huishoudelijke apparaten kan bijvoorbeeld worden gedacht aan de volgende slijtagegevoelige onderdelen:

- bewegende delen (zoals motor, scharnier, wieltjes)
- elektronica-modules (zoals printplaat, sensoren, verlichting)
- kunststof- en rubberen delen (zoals deurrubber, reservoirs, geleiders)
- afdichtingen (slangen)
- verwarmingselementen
- lagers

Dit soort onderdelen slijt vaak eerder dan u van het totale product verwacht. Die eerdere slijtage is normaal, net als bij auto-onderdelen. De kwaliteit van het product is daardoor niet minder. De kosten van vervanging of reparatie van die onderdelen zijn daarom voor rekening van u als gebruiker van het product. Afhankelijk van de omstandigheden kan er voor de verkoper altijd reden zijn om de kosten niet of slechts gedeeltelijk aan u in rekening te brengen. Als sprake is van abnormale slijtage bij normaal gebruik zijn de kosten sowieso voor rekening van de verkoper.

Houdt er rekening mee dat de levensduur van een product afhangt van hoe vaak u het gebruikt, hoe u het gebruikt en waar u het product gebruikt.

# Lugege esmalt seda kasutusjuhendit.

Hea klient!

Täname, et valisite Beko seadme. Loodetavasti saate parimad tulemused, kuna see toode on valmistatud väga kvaliteetselt ja uusima tehnoloogiaga. Selleks tutvuge enne toote kasutamist hoolikalt kasutusjuhendi ja kõigi kaasasolevate dokumentidega ning hoidke need tuleviku tarbeks alles. Kui annate toote üle kellelegi teisele, andke kaasa ka kasutusjuhend. Järgige kõiki juhiseid, pöörates tähelepanu kasutusjuhendis toodud teabele ja kõikidele hoiatustele.

Pidage meeles, et see kasutusjuhend võib kehtida ka teiste mudelite kohta. Mudelitevahelisi erinevusi on kasutusjuhendis selgelt kirjeldatud.

## Sümbolite tähendused

Selle kasutusjuhendi erinevates jaotistes kasutatakse järgmisi sümboleid.



Oluline teave ja kasulikud nõuanded kasutamisel



**HOIATUS!** Hoiatused elule ja varale ohtlike olukordade kohta



Hoiatus tulekahjuuhu kohta



Hoiatus elektrilöögi kohta



ÜMBERTÖÖDELTUD JA  
TAASKASUTATAV  
PABER

## 1.1 Üldine ohutus

Olulised ohutusjuhised Lugege juhised hoolikalt läbi ja hoidke hilisemaks kasutamiseks alles

See jaotis sisaldab ohutusjuhiseid, mis aitavad teil vältida tuleohtu, elektrilööke, kokkupuutumist lekkinud mikrolaineenergiaga, kehavigastusi ja varalist kahju. Nende juhiste eiramisel garantii tühistatakse.

- Beko tooted vastavad kehtivatele ohutusstandarditele, seepärast tuleb ohu vältimiseks lasta edasimüüjal, teeninduskeskusel, spetsialistil või volitatud hoolduskeskusel seade alati parandada või välja vahetada, kui seadmel või selle toitejuhtmel on kahjustusi. Puudulikud või oskamatud parandustööd võivad olla ohtlikud ja põhjustada kasutajale ohtu.
- Seade on mõeldud kasutamiseks kodumaja-

pidamistes ja järgmistes sarnastes kohtades, nt:

- töötajate köögid poodides, kontorites ja teistes töökohtades;
  - maamajapidamised;
  - klientidele hotellides ja teistes majutusasutustes;
  - hommikusöögiga ööbimiskohtades.
- Kasutage seadet ainult ettenähtud eesmärkidel ja selle juhendi kohaselt.
  - Tootja ei vastuta väärast paigaldamisest või toote valest kasutamisest tingitud kahju eest.
  - Seda seadet tohivad kasutada vähemalt 8-aastased lapsed ning piiratud füüsiliste, sensorsete või vaimsete võimetega või kogemuste ja teadmisteta isikud, kui neid on juhendatud seadet ohutult kasutama või nad teevad seda järelevalve all ja mõistavad seadme kasutamisega seotud ohte.

- Lapsed ei tohi seadmega mängida. Lapsed ei tohi seadet puhastada ja hooldada ilma järelevalveta.
  - Minimaalne kaugus keedualal olevate keedunõude restide ja õhupuhasti madalaima osa vahel peab olema vähemalt 65 cm.
  - Kui gaasipliidi paigaldamise juhistes on märgitud ülalnimetatust suurem vahedkaugus, tuleb seda arvesse võtta.
  - Veenduge, et teie toitealikas vastaks seadme andmesildil toodud andmetele.
  - Ärge kasutage seadet, kui toitejuhe või seade on kahjustatud.
  - Toitejuhtme kahjustumise vältimiseks hoiduge selle pigistamisest, murdmisest või hõõrumisest vastu teravaid servi. Hoidke toitejuhe eemal kuumadest pindadest ja lahtisest tulest.
  - Kasutage seadet ainult koos maandatud pistikupesaga.
- HOIATUS!** Ärge ühendage seadet toitevõrku enne, kui paigaldus on täielikult lõpetatud.
- Paigutage seade nii, et pistikule oleks alati võimalik ligi pääseda.
  - Ärge puudutage lampe, kui need on pikemat aega põlenud. Võite oma käsi põletada, sest lambid on kuumad.
  - Järgige pädevate asutuste eeskirju õhu väljatõmbe kohta (see hoiatus ei kehti ilma lõõrita kasutamise korral).
  - Lülitage seade tööle kohe pärast poti, panni jms asetamist pliidile. Muidu võivad seadme osad kuumuse tõttu deformeeruda.
  - Enne poti, panni vms võtmist pliidilt lülitage see välja.
  - Ärge jätke kuuma õli pli-

dile. Kuuma õliga pannid võivad süttida.

- Pöörake tähelepanu kardinatele ja katetele, sest näiteks friikartulite valmistamisel võib õli põlema minna.
- Rasvafiltrit tuleb vahetada vähemalt kord kuus. Söefiltrit tuleb vahetada vähemalt kord kolme kuu jooksul.
- Toodet tuleb puhastada kasutusjuhendi kohaselt. Kui seadet ei puhastata kasutusjuhendi kohaselt, tekib süttimisoht.
- Ärge kasutage originaalfiltri asemel materjale, mis ei ole tulekindlad.
- Kasutage ainult originaal- või valmistaja soovitatud osi.
- Ärge kasutage toodet ilma filtrita ja ärge eemaldage filtreid, kui toode töötab.
- Tule süttimise korral katkestage toote ja küpsetusseadme toide.
- Tule süttimise korral katke leek, aga ärge mingil juhul ka-

sutage kustutamiseks vett.

- Enne igat puhastamist ja ajal, kui seadet ei kasutata, eemaldage toitejuhe vooluvõrgust.
  - Negatiivne surve keskkonnas ei tohi ületada 4 Pa (4 x 10 baari), kui kasutate ühel ajal elektripliidi õhupuhastit ja seadmeid, millel on muu toiteallikas kui elekter.
  - Seadme kasutuskeskkonnas peab õli- või gaasiseadmete, nagu ruumi soojendi väljatõmme olema täielikult isoleeritud või seade peab olema hermeetilist tüüpi.
  - Kasutage lõõri ühendamiseks 120–150 mm läbimõõduga torusid. Toruühendus peab olema võimalikult lühike ja sellel peab olema minimaalselt torupõlvi.
- Lämbumisoht!** Hoidke pakkematerjalid väljaspool laste käeulatus.

**ETTEVAATUST!** Seadme liigipääsetavad osad võivad koos küpsetusseadmetega kasutamisel kuumeneda.

- Toote äratõmmet ei tohi ühendada õhukanalitega, milles on suitsu.
- Tagage ruumi piisav ventilatsioon, kui elektripliidi õhupuhastit kasutatakse koos seadmetega, mis kasutavad gaasi või muid kütuseid (see ei kehti seadmete kohta, mis tõmbavad ainult õhku ruumi tagasi).
- Tootele asetatud esemed võivad kukkuda. Ärge asetage tootele esemeid.
- Ärge flambeerige toote all.

**HOIATUS!** Enne õhupuhasti paigaldamist eemaldage kaitsekiled.

- Töötava õhupuhasti all ei tohi kunagi olla lahtist kõrget leeki.
- Fritüüre tuleb küpsetamise ajal pidevalt jälgida: ülekuumenenud õli võib

leegiga põlema süttida.

## 1.2 WEEE-direktiivi täitmine ja kasutuskõlbmatute toodete kõrvaldamine

Toode vastab Euroopa Liidu elektri- ja elektroonikaseadmete jäätmete (WEEE) direktiivile (2012/19/EU). Sellel tootel on klassifitseerimise sümbol elektri- ja elektroonikaseadmete (WEEE) kohta.



See sümbol näitab, et seda toodet ei tohi pärast kasutusea lõppu kõrvaldada koos muu olmeprügiga. Kasutatud seade tuleb saata elektri- ja elektroonikaseadmete ametlikku kogumispunkti. Selliste kogumissüsteemide leidmiseks pöörduge kohaliku omavalitsuse või toote müünud jaemüüja poole. Igal majapidamisel on oluline osa vana seadme taastamisel ja ringlusse andmisel. Kasutatud seadme korrektne käitlemine aitab ära hoida negatiivseid tagajärgi keskkonnale ja tervisele.

## 1.3 Vastavus RoHS-direktiivile

Toode vastab Euroopa Liidu RoHS-direktiivile (2011/65/EL). See ei sisalda direktiivis mainitud kahjulikke ja keelatud materjale.

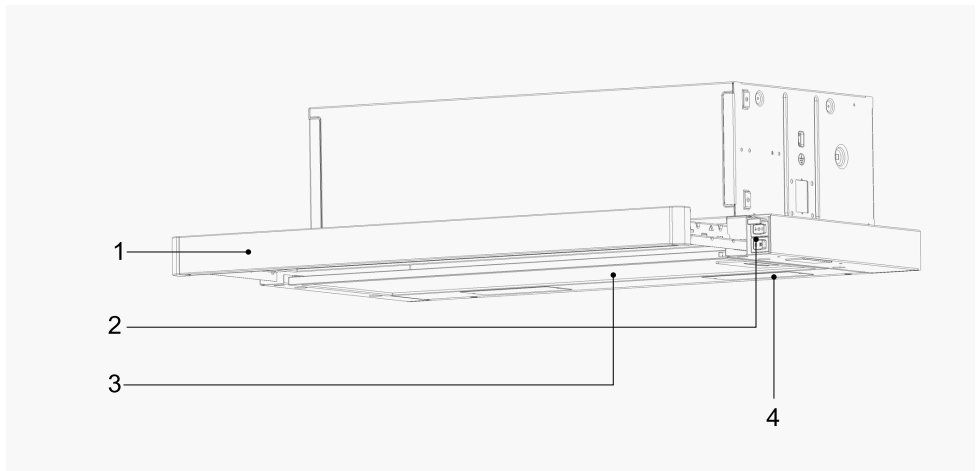
## 1.4 Teave pakendi kohta



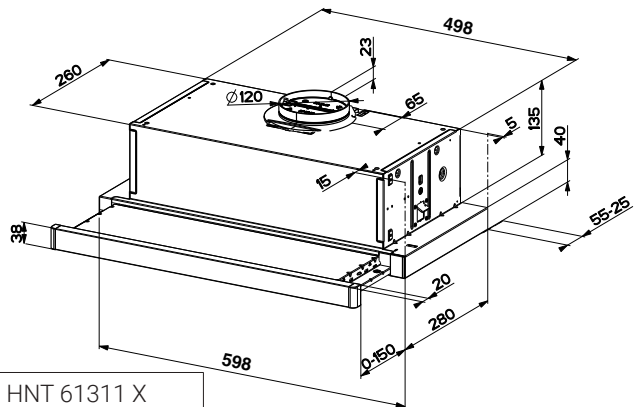
Toote pakkematerjalid on valmistatud ringlusse võetavatest materjalidest riiklike keskkonnaneeskirjade kohaselt. Ärge visake pakkematerjale tavalise olmeprügi või muude jäätmete hulka. Viige need kohaliku omavalitsuse määratud pakendikogumispunkti.

## 2 Üldine välimus

### 2.1 Ülevaade



1. Liugpaneel
2. Juhtpaneel
3. Alumiiniumist rasvafilter
4. Valgustus

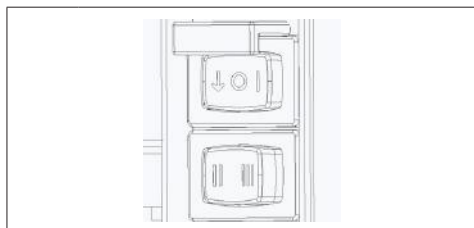


### 2.2 Tehnilised andmed

<b>Mudel</b>	HNT 61311 X HNT 61311 XH HNT 61310 BH HNT 61310 WH
<b>Toitepinge ja -sagedus</b>	220-240V ~ 50 Hz
<b>Lambi võimsus</b>	2 x 4 W
<b>Mootorivõimsus</b>	115 W
<b>Õhuvool – 3. Aste</b>	300 m <sup>3</sup> /h
<b>Mootori isolatsiooniklass</b>	F KLASS
<b>Isolatsiooniklass</b>	II KLASS

## 3 Seadme kasutamine

### 3.1 Seadme juhtimine



↓	Aktiveerib 2. ja 3. kiiruse taseme.
I	Vajutage nuppu "I", et töötada esimesel kiirustasemel.
O	Kui keerate selle asendisse "O", lülitub seade välja. Samal ajal lülitub seade välja, kui liugpaneel on suletud.
II	Vajutage nuppu "II", et töötada 2. kiiruse tasemel.
III	Vajutage nuppu "III", et töötada 3. kiirustasemel.

### 3.2 Õhupuhasti käsitsemine

- Õhupuhasti on varustatud erinevate kiiruseseadetega mootoriga.
- Parima jõudluse huvides soovitame tava tingimustes kasutada väiksemaid kiirusi ja eriti tugevate toidulõhnade ja aurude eemaldamiseks suuremaid kiirusi.
- Võite õhupuhasti käivitada, vajutades soovitud kiiruse astme klahvile. (I, II, III)
- Liugurpaneeli avamisel süttib lamp, liuguri sulgemisel lamp kustub.

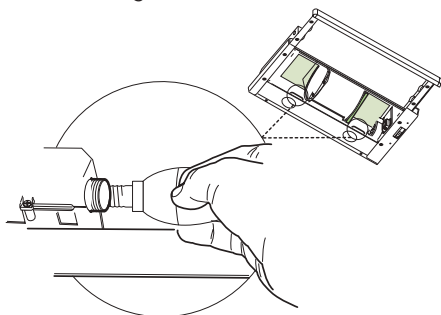
### 3.3 Energiatõhus kasutamine

- Õhupuhasti käsitlemisel reguleerige kiiruse astet vastavalt lõhna tugevusele ja auru kogusele, et vältida tarbetut energiatarvet.
- Kasutage normaalsetes oludes madalat kiirust (I–II) ja suurt kiirust (III) lõhna tugevuse ja aurude koguse suurendamisel.

- Õhupuhastisse paigaldatud valgustid on mõeldud toiduvalmistamise ala valgustamiseks.
- Nende kasutamine keskkonna/köögi valgustamiseks põhjustab tarbetut energiatarvet ja ebapiisavat valgustust.
- Et seade tarbiks vähem energiat, käivitage see madalal kiirusel.
- Teie seade vähendab energiatarbimist, kuna see töötab tõhusamalt, kui tagate sellele piisava õhu sisselaskeava.
- Seadke seade intensiivsele imemisvõimsusele enne auru teket juhtudel, kui te teate, et tekib tihe aur. Seega vähendate energiatarbimist, kui kasutate seadet lühemat aega, kuna sellel on piisav õhu sisselaskeava.
- Hoidke keedunõude kaaned suletuna, et vähendada auru teket.

### 3.4 LED-lambi vahetamine

Eemaldage alumiiniumist filtrikassett. Eemaldage rikkis lamp ja asendage see samaväärsega.



<b>Pirn</b>	
<b>Pirni võimsus</b>	4 W

## 3 Seadme kasutamine

Hoidja / Pesa	E14
Pirni pinge	220 - 240 V
Suurus	35x100 mm
ILCOS kood	DRBB/F-4-220-240-E14-35/100
Valgusvoog	400 ml
Lähim värvustemperatuur	3000 K

See toode sisaldab valgusallikat energia-tõhususe klassiga F.

- Selles tootes on kasutatud küünla tüüpi led-lampi.
- Lambi vahetamisel tuleks kasutada max 4 W lampi.

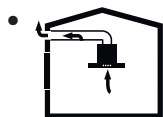


- Enne elektrikirvide väljava-hetamist ühendage õhupu-hasti toiteallikas lahti.
- Ärge puudutage elektri-pirne, kui need on kuumad.
- Ärge puudutage väljavahe-tatud elektrikirni otse kä-tega.



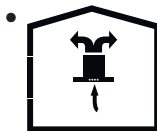
Võite hankida lampe volitatud teenusepakkujalt.

### 3.5 Kasutamine korstnaühenduse korral



- Aur eemaldatakse suitsu-toru kaudu, mis kinnita-takse õhupu-hasti ühenduspea külge.
- Suitsutoru diameeter peab olema sama nagu ühendusrõngal. Horison-taalsel paigaldusel peab toru olema väikse kalde all (umbes 10°), et õhk saaks ruumist lihtsalt väljuda.

### 3.6 Kasutamine korstnaühenduse puudumise korral



- Õhku filtreeritakse läbi söefiltri ja suunatakse tuppa tagasi. Söefiltrit kasutatakse siis, kui majas pole võimalik suitsutoru kasutada.
- Suitsutoru puudumise korral eemal-dage suitsutoru adapteri klapi-d.
- Eemaldage alumiiniumist rasvafilter. Söefiltri paigaldamiseks pange filter lapatside vahele, tsentreerides selle õhupu-hasti raami külgede plastikosa-dele. Pingutage, pöörates paremale või vasakule.
- Vahetage alumiiniumist rasvafilter välja.

## 4 Puhastamine ja hooldus

Seadet tuleb regulaarselt puhastada ja hooldada. Seadme mustana hoidmine mõjutab negatiivselt seadme kasutusiga. Puhastamiseks ja hooldamiseks järgige juhendis toodud juhiseid.



Enne puhastamist ja hooldust võtke seade pistikupesast välja või lülitage välja pealüliti või lülitage välja automaat, mis annab õhupuhasstile voolu.

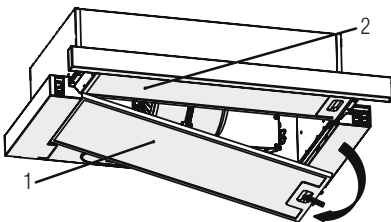


Seadme puhastamise ja filtrite vahetamisega seotud sätete eiramine võib põhjustada tulekahju. Seetõttu on soovitatav järgida siin toodud juhiseid. Tootja ei vastuta valest kasutamisest tulenevate mootorikahjustuste või tulekahjude eest.

Puhastage ainult neutraalse vedela puhastusvahendiga niisutatud lapiga. Ärge puhastage tööriistade abil. Ärge kasutage abrasiivseid vahendeid. Ärge kasutage alkoholi.

### 4.1 Rasvafiltri puhastus

Rasvafiltrit kasutatakse õliosakeste õhus hoidmiseks. Alumiiniumfiltrid võivad pärast mitmendat pesukorda muuta värvi. See on normaalne ja ei vaja filtri väljavahetamist.



1. Väline rasvafilter

2. Sisemine rasvafilter

- Tõmmake liugplaat välja, hoides esipaneelist kinni. Eemaldage esmalt väline rasvafilter ja seejärel sisemine rasvafilter.
- Lükake rasvafiltri lukk ettepoole.
- Seejärel tõmmake see veidi alla ja tõmmake välja. Vastasel juhul võite filtrit painutada. Peske ja loputage rasvafiltrit vedela pesuvahendiga ning asetage rasvafilter nende istmetele, sooritades ülaltoodud samme vastupidises järjekorras. Neid rasvafilteid kasutatakse õliosakeste õhus hoidmiseks.



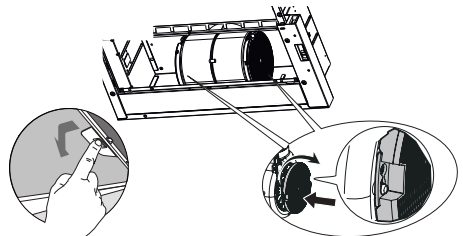
Alumiiniumfiltrid võib pesta nõudepesumasinas.



**ETTEVAATUST:** Tavakasutuse korral puhastage rasvafiltrit kord kuus.

### 4.2 Söefiltri vahetamine

Lõhna eemaldavad filtrid sisaldavad sütt (aktiivsüsi). Tootesse tuleb paigaldada rasvafilter, olenemata sellest, kas söefilteid kasutatakse või mitte.



- Eemaldage rasvafilter.
- Söefiltri eemaldamiseks eemaldage söefilter selle korpusest, pöörates seda saki küljest vastupäeva.
- Paigaldage uus süsinikfilter.

## 4 Puhastamine ja hooldus

- Paigaldage rasvafilter.



### ETTEVAATUST

- Süsinikufiltrit ei tohi kunagi pesta.
- Vahetage söefiltrid kord 3 kuu jooksul.
- Söefiltri saate hankida volitatud teenindusest.

## 5 Seadme seadistamine



**HOIATUS:** Enne paigaldamist lugege kasutusjuhendi turvateavet.



**HOIATUS:** Kui te ei paigalda kruvisid ja stabiliseerijad vastavalt nendele juhistele, võib tekkida elektrilöögi oht.

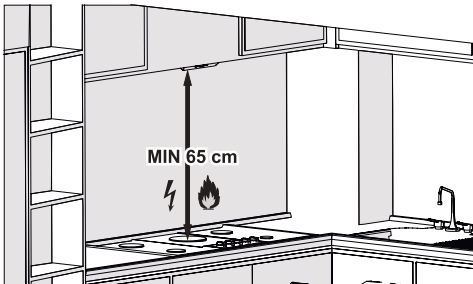


Vaadake paigaldusjuhendi lehekülge 133.

Õhupuhasti paigaldamiseks võtke ühendust lähima volitatud teenindusega.

Õhupuhasti asukoha ja elektripaigaldise ettevalmistamine on kliendi kohustus.

### 5.1 Seadme asukoht



- Pliidi ja õhupuhasti vahet tuleb enne monteerimist arvestada. Vahe peab olema 65 cm.
- Vahet tuleb mõõta gaasipliidi pinnalt, elektripliitide puhul klaaspinnalt.

### 5.2 Seadme paigaldamine



**HOIATUS:** Kasutage aukude puurimise ja lõikamistöde ajal kaitsekindaid ja -prille.

### 5.3 Ladustamine

- Kui te ei kavatse seadet pika aja vältel kasutada, ladustage see hoolikalt.
- Veenduge, et seade on vooluvõrgust eemaldatud, maha jahtunud ja täiesti kuiv.
- Ladustage seade jahedas ja kuivas kohas.
- Hoidke seadet lastele kättesaamatus kohas.

### 5.4 Käitlemine ja transport

- Käsitsemise ja transportimise ajal kandke seadet originaalpakendis. Seadme pakend kaitseb seda füüsiliste kahjustuste eest.

## 5 Seadme seadistamine

- Ärge asetage seadmele ega pakendile raskeid koormaid. Seade võib kahjustuda.
- Seadme mahakukkumine muudab selle mittetöötavaks või põhjustab püsivaid kahjustusi.

## 6 Tõrkeotsing

Tõrkeotsing	Põhjus	Abi
Toode ei tööta	Kontrollige kaitselüliti.	Kaitselüliti võib olla väljas, lülitage see sisse.
Toode ei tööta	Kontrollige elektriühendust.	Võrgupinge peaks olema vahemikus 220–240 V.
Toode ei tööta	Kontrollige elektriühendust.	Kontrollige, kas muud tooted Teie köögis töötavad või mitte.
Valgustus ei tööta.	Kontrollige elektriühendust.	Võrgupinge peaks olema vahemikus 220–240 V.
Valgustus ei tööta.	Kontrollige valgustuse lüliti.	Lüliti peaks olema asendis „sees”.
Valgustus ei tööta.	Kontrollige lampe.	Toote lambid ei tohiks olla rikkis.
Toote õhuvõtt on halb.	Kontrollige alumiiniumfiltrit.	Alumiiniumist õlifiltrit tuleks normaaltingimustes puhastada vähemalt kord kuus.
Toote õhuvõtt on halb.	Kontrollige õhuava lõõri.	Lõõr peaks olema asendis „sees”.
Toote õhuvõtt on halb.	Kontrollige söefiltrit.	Söefiltritega toodete puhul tuleks filtrit tavaliselt vahetada iga 3 kuu tagant.

# Avant toute chose, veuillez lire ce manuel d'utilisation !

Chère cliente, cher client,


Merci d'avoir choisi cet appareil Beko. Nous espérons que cet appareil, fabriqué dans des installations modernes et soumis à un processus de contrôle qualité rigoureux, vous offre les meilleures performances possible. C'est pourquoi nous vous recommandons, avant d'utiliser l'appareil, de lire attentivement et complètement ce manuel d'utilisation ainsi que tous les autres documents fournis et de les conserver soigneusement pour une utilisation future. Si vous cédez l'appareil à quelqu'un d'autre, remettez-lui également le manuel d'utilisation. Suivez les instructions en accordant une attention particulière à toutes les informations et les avertissements contenus dans le manuel d'utilisation.

Notez que ce manuel d'utilisation peut également s'appliquer à d'autres modèles. Les différences entre les modèles sont clairement décrites dans le manuel.

## Signification des symboles

Les pictogrammes suivants sont repris tout au long de ce manuel :

 Informations importantes et conseils utiles concernant l'utilisation de l'appareil.

 **AVERTISSEMENT:** Avertissement sur les situations dangereuses concernant la sécurité des biens et des personnes.

 **AVERTISSEMENT:** Avertissement contre le risque d'incendie.

 **AVERTISSEMENT:** Avertissement contre le risque d'électrocution.



Points de collecte sur [www.quefairedemesdechets.fr](http://www.quefairedemesdechets.fr)  
Privilégiez la réparation ou le don de votre appareil !



## 1.1 Consignes générales de sécurité

Consignes de sécurité importantes - Lire attentivement et conserver pour référence ultérieure

Cette section contient les consignes de sécurité qui aident à se prémunir contre les risques d'incendie, d'électrocution, d'exposition aux fuites d'énergie à micro-ondes, de dommages corporels ou de dégâts matériels. Le non-respect de ces instructions entraînera l'annulation de toute garantie.

- Les produits Beko sont conformes aux normes de sécurité applicables. Par conséquent, en cas de dommage sur l'appareil ou son câble d'alimentation, le faire réparer ou remplacer par le revendeur, le centre SAV, un spécialiste ou des services habilités afin de prévenir tout danger. Des répara-

tions défectueuses et non professionnelles peuvent être sources de danger et de risque pour l'utilisateur.

- Cet appareil est conçu pour un usage domestique et des utilisations similaires comme :
  - dans les coins cuisine du personnel dans les magasins, bureaux, et autres environnements de travail ;
  - les fermes
  - Par les clients des hôtels et autres types d'environnements résidentiels ;
  - et dans les chambres d'hôte.
- Utiliser l'appareil uniquement aux fins pour lesquelles il a été conçu, comme décrit dans les présentes instructions.
- Le fabricant n'est pas responsable des dommages résultant d'une mauvaise installation ou d'une mau-

vaie utilisation du produit.

- Cet appareil peut être utilisé par des enfants de 8 ans minimum, des personnes à capacités physiques, sensorielles ou mentales réduites et des personnes manquant d'expérience ou de connaissances suffisantes en la matière, à condition qu'elles aient été préparées à un maniement sécurisé de l'appareil et qu'elles aient pleinement conscience des risques encourus.
- Les enfants n'ont pas le droit de jouer avec l'appareil. Le nettoyage et l'entretien de l'appareil ne doivent pas être effectués par des enfants laissés sans surveillance.
- La distance minimale entre la surface d'appui des récipients de cuisson sur la plaque de cuisson et la partie la plus basse de votre produit doit être d'au moins 65 cm.
- Si des instructions relatives à l'installation de la plaque à gaz exigent plus de distance, prenez-les en compte.
- S'assurer que la source d'alimentation électrique est conforme aux informations spécifiées sur la plaque signalétique de l'appareil.
- Ne jamais utiliser l'appareil si le câble d'alimentation ou l'appareil lui-même est endommagé.
- Pour éviter d'endommager le câble d'alimentation, éviter de l'aplatir, de le plier ou même de le frotter contre des bords coupants. Éloigner le câble d'alimentation de toute surface brûlante et des flammes.
- Utilisez l'appareil uniquement avec une prise de terre.

**AVERTISSEMENT:** Ne branchez pas l'appareil sur le secteur avant la fin de l'installation.

- Placer l'appareil de sorte que la prise soit toujours accessible.
- Ne touchez pas les lampes si elles ont été utilisées pendant une longue période. Elles sont chaudes et risqueraient donc de provoquer des brûlures aux mains.
- Respectez la réglementation des autorités compétentes en matière d'évacuation de l'air évacué (cette mise en garde ne s'applique pas à l'utilisation sans conduit).
- Faites fonctionner votre appareil après avoir posé une casserole, une poêle, etc. sur la plaque de cuisson. Autrement, la température élevée peut provoquer la déformation de certaines pièces de votre produit.
- Éteignez la plaque de cuisson avant d'en retirer la casserole, la poêle, etc.
- Ne laissez pas d'huile chaude sur la plaque de cuisson. Les casseroles contenant de l'huile chaude peuvent s'enflammer.
- Faites attention à vos rideaux et à vos couvertures, car l'huile peut prendre feu pendant la cuisson de certains aliments, comme les frites.
- Le filtre à graisse doit être remplacé au moins une fois par mois. Le filtre à charbon doit être remplacé au moins tous les 3 mois.
- Le produit doit être nettoyé conformément au manuel d'utilisation. Si le nettoyage n'a pas été effectué conformément au manuel d'utilisation, il peut y avoir un risque d'incendie.

- N'utilisez pas de matériaux filtrants ignifuges à la place des filtres actuels.
  - Utilisez uniquement des pièces d'origine ou pièces recommandées par le fabricant.
  - N'utilisez jamais l'appareil sans le filtre et ne retirez pas les filtres lorsque l'appareil est en marche.
  - En cas d'apparition d'une flamme, éteignez votre produit et vos appareils de cuisson.
  - En cas d'apparition d'une flamme, couvrez la flamme et n'utilisez jamais d'eau pour l'éteindre.
  - Débranchez l'appareil avant chaque nettoyage et lorsque l'appareil n'est pas en cours d'utilisation.
  - La pression négative dans l'environnement ne doit pas dépasser 4 Pa (4 x 10 bars) lorsque la hotte de la table de cuisson électrique et les appareils fonctionnant avec un autre type d'énergie que l'électricité fonctionnent simultanément.
  - Dans l'environnement dans lequel l'appareil est utilisé, les gaz résiduels des appareils fonctionnant au fioul ou au gaz, tels que le chauffage de la pièce, doivent être totalement isolés ou l'appareil doit être de type étanche.
  - Pour le raccordement du conduit, utilisez des tuyaux d'un diamètre de 120 ou 150 mm. Le raccordement du tuyau doit être aussi court que possible et avoir le minimum de coudes que possible.
  - Risque d'étranglement ! Conservez tous les emballages hors de portée des enfants.
- ATTENTION:** Les pièces accessibles peuvent devenir chaudes lorsqu'elles sont utilisées avec des appareils

de cuisson.

- Ne connectez pas la prise du produit aux canaux d'air qui contiennent d'autres fumées.
- La ventilation de la pièce peut être insuffisante lorsque la hotte de la table de cuisson électrique est utilisée en même temps que les appareils fonctionnant au gaz ou avec d'autres combustibles (ceci peut ne pas s'appliquer aux appareils qui rejettent uniquement l'air dans la pièce).
- Les objets placés sur le produit peuvent tomber. Ne posez aucun objet sur le produit.
- Ne brûlez rien sous votre produit.

**AVERTISSEMENT:** Retirez les films protecteurs avant d'installer la hotte.

- Ne laissez jamais des grandes flammes nues sous la hotte lorsqu'elle

est en fonctionnement.

- Gardez les friteuses en permanence sous surveillance pendant l'utilisation : de l'huile surchauffée peut prendre feu.

## 1.2 Conformité avec la Directive DEEE et Mise au rebut des appareils usagés :

Cet appareil est conforme à la directive DEEE. (2012/19/UE). Cet appareil porte le symbole de classification pour les déchets des équipements électriques et électroniques (DEEE).



Ce symbole indique que ce produit ne doit pas être jeté avec les déchets ménagers à la fin de sa vie utile. Les appareils usagés doivent être retournés au point de collecte officiel pour le recyclage des appareils électriques et électroniques. Pour trouver ces systèmes de collecte, veuillez contacter les autorités locales ou le détaillant auprès duquel vous avez acheté le produit. Chaque ménage joue un rôle important dans la récupération et le recyclage des appareils ménagers usagés. L'élimination appropriée des appareils usagés aide à prévenir les conséquences négatives potentielles pour l'environnement et la santé humaine.

## 1.3 Conformité avec la directive RoHS

L'appareil que vous avez acheté est conforme à la Directive RoHS de l'UE (2011/65/UE). Il ne contient pas de matières dangereuses et interdites spécifiées dans la directive.

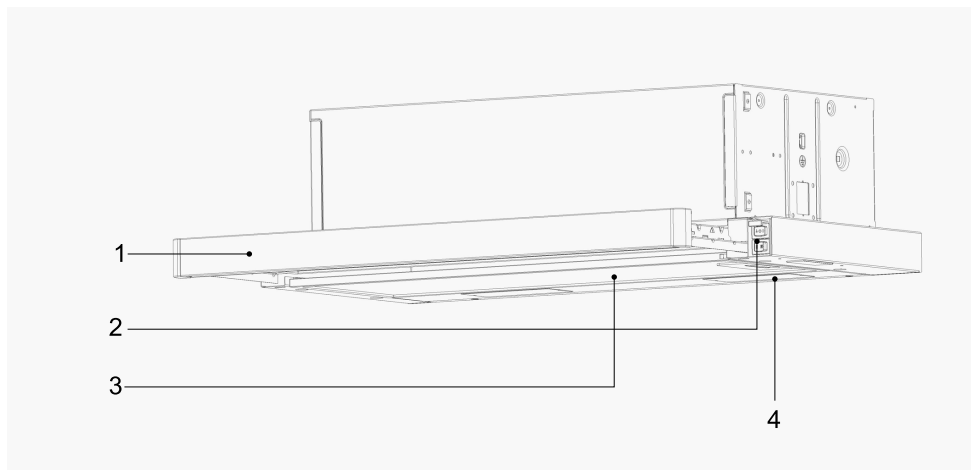
## 1.4 Informations concernant l'emballage



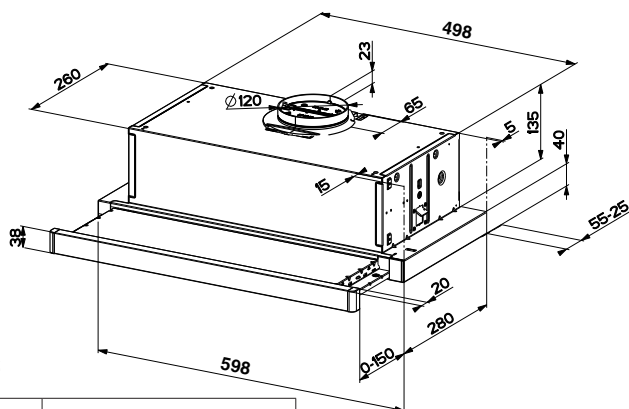
Les matériaux d'emballage du produit sont fabriqués à partir de matériaux recyclables conformément à notre réglementation nationale sur la protection de l'environnement. Ne jetez pas les matériaux d'emballage avec les déchets domestiques et autres déchets. Déposez-les dans l'un des points de collecte de matériaux d'emballage prévus par l'autorité locale.

## 2 Apparence générale

### 2.1 Vue d'ensemble



1. Panneau coulissant
2. Panneau de commande
3. Filtre à graisse
4. Éclairage

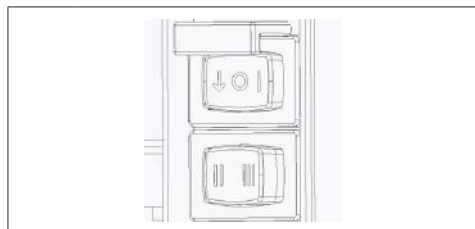


### 2.2 Données techniques

<b>Modèle</b>	HNT 61311 X HNT 61311 XH HNT 61310 BH HNT 61310 WH
<b>Tension et fréquence d'alimentation</b>	220-240V ~ 50 Hz
<b>Puissance de la lampe</b>	2 x 4 W
<b>Puissance du moteur</b>	115 W
<b>Débit - 3.Level</b>	300 m <sup>3</sup> /h
<b>Moteur de classe d'isolation</b>	CLASSE F
<b>Classe d'isolation</b>	CLASSE II

## 3 Fonctionnement de l'appareil

### 3.1 Contrôle de l'appareil



↓	Active les 2e et 3e niveaux de vitesse.
I	Appuyez sur le bouton "I" pour fonctionner au 1er niveau de vitesse.
O	Lorsque vous le tournez sur la position "O", l'appareil s'éteint. En même temps, l'appareil s'éteint lorsque le panneau coulissant est fermé.
II	Appuyez sur le bouton «II» pour fonctionner au 2ème niveau de vitesse.
III	Appuyez sur le bouton «III» pour fonctionner au 3ème niveau de vitesse.

### 3.2 Fonctionnement de la hotte

- Votre appareil possède un moteur à vitesses variables.
- Pour de meilleures performances, nous recommandons d'utiliser des vitesses basses dans des conditions normales et des vitesses élevées en cas fortes odeurs et de vapeur intense.
- Vous pouvez démarrer votre appareil en appuyant sur le bouton de réglage de la vitesse souhaitée. (I, II, III)
- Lorsque le panneau coulissant est ouvert, la lampe s'allume, lorsque le curseur est fermé, la lampe s'éteint.

### 3.3 Utilisation efficace de l'énergie

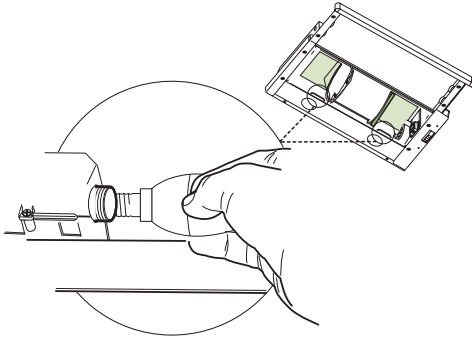
- Lorsque vous utilisez votre appareil, effectuez les réglages de vitesse en


fonction de l'intensité des vapeurs et des odeurs afin de faire des économies de l'énergie.

- Utilisez les basses vitesses (I-II) dans des conditions normales, et le grande vitesse (III) pour les odeurs et les vapeurs intenses.
- Les lampes situées sur la hotte sont destinées à l'éclairage de la zone de cuisson.
- L'utilisation de ces lampes pour l'éclairage de la pièce entraîne une consommation d'énergie inutile et un éclairage insuffisant.
- Pour que votre appareil consomme moins d'énergie, faites-le fonctionner à basse vitesse.
- Votre appareil réduit la consommation d'énergie et fonctionne plus efficacement lorsque vous l'alimentez suffisamment en air.
- Configurez votre appareil pour un niveau de puissance d'aspiration intense avant la formation de la vapeur, dans le cas où vous prévoyez la production d'une vapeur dense. Vous réduisez donc la consommation d'énergie de votre appareil en l'utilisant pendant une durée plus courte, puisqu'il est suffisamment alimenté en air.
- Configurez votre appareil pour un niveau de puissance d'aspiration intense avant la formation de la vapeur, dans le cas où vous prévoyez la production d'une vapeur dense. Vous réduisez donc la consommation d'énergie de votre appareil en l'utilisant pendant une durée plus courte, puisqu'il est suffisamment alimenté en air.

## 3.4 Remplacement des ampes

Retirez le filtre à cartouche en aluminium. Retirez la lampe défectueuse et remplacez-la par une lampe de même puissance.



<b>Ampoule</b>	
<b>Puissance de l'ampoule</b>	4 W
<b>Support / Prise</b>	E14
<b>Voltage de l'ampoule</b>	220 - 240 V
<b>Taille</b>	35x100 mm
<b>Code ILCOS</b>	DRBB/F-4-220-240-E14-35/100
<b>Flux lumineux</b>	400 ml
<b>Température de couleur corrélée</b>	3000 K

Ce produit contient une source lumineuse de classe d'efficacité énergétique «F».

- Une lampe à led de type bougie est utilisée dans ce produit.
- Lors du changement de lampe, une lampe de 4 W maximum doit être utilisée.

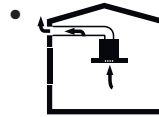


- Avant de remplacer les ampoules, débranchez l'alimentation électrique de la hotte.
- Ne touchez pas les ampoules lorsqu'elles sont chaudes.
- Faites attention à ne pas toucher l'ampoule remplacée directement avec les mains.



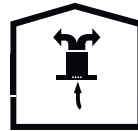
Vous pouvez vous procurer des lampes auprès d'agents de service agréés.

## 3.5 Fonctionnement avec branchement de cheminée



- La vapeur est extraite par le conduit de fumées, qui est fixé à la tête de raccordement sur la hotte.
- Le diamètre du conduit de fumées doit être le même que celui de la bague de raccordement. Dans les installations horizontales, le tuyau doit avoir une légère pente ascendante (environ 10°) pour que l'air puisse sortir facilement de la pièce.

## 3.6 Fonctionnement sans branchement de cheminée



- L'air est filtré par le filtre à charbon et circule à nouveau dans la pièce. Le filtre à charbon est utilisé lorsqu'il est impossible d'utiliser un conduit de fumée dans la maison.
- En cas d'utilisation sans conduit, retirez les clapets à l'intérieur de l'adaptateur de conduit.

## 3 Fonctionnement de l'appareil

- Retirez le filtre à graisse en aluminium. Pour installer le filtre à charbon, placez le filtre sur les languettes en le centrant sur la pièce en plastique des deux côtés du corps du ventilateur. Serrez-le en tournant à droite ou à gauche.
- Remplacez le filtre à graisse en aluminium.

## 4 Nettoyage et entretien

Cet appareil doit être régulièrement nettoyé et entretenu. S'il n'est pas nettoyé, sa durée de vie utile peut être compromise. Pour le nettoyage et l'entretien, suivez les instructions contenues dans le manuel.



Avant de procéder au nettoyage et à l'entretien, débranchez le produit ou éteignez l'interrupteur.

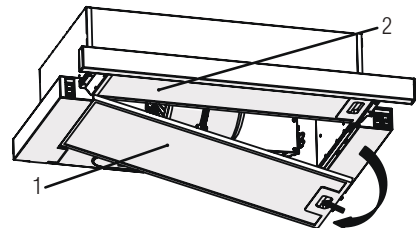


Le non-respect des consignes de nettoyage de cet appareil et de remplacement de ses filtres vous expose à un risque d'incendie. Il est donc recommandé de respecter les consignes de ce manuel. Le fabricant décline toute responsabilité en cas de dommages au moteur ou d'incendie résultant d'une utilisation inappropriée de l'appareil.

Nettoyer en utilisant uniquement un chiffon humidifié avec un détergent liquide neutre. Ne nettoyez pas avec des outils ou des instruments. N'utilisez pas de produits abrasifs. N'utilisez pas d'alcool.

### 4.1 Nettoyage du filtre à graisse

Le filtre à graisse retient les particules d'huile dans l'air. Les filtres à graisse peuvent changer de couleur après des nettoyages répétés. Ce phénomène est normal et ne nécessite pas le remplacement des filtres.



1. Filtre à graisse externe

2. Filtre à graisse interne

- Tirez la plaque coulissante en tenant le panneau avant. Retirez d'abord le filtre à graisse externe, puis le filtre à graisse interne.
- Poussez le verrou du filtre à graisse vers l'avant.
- Ensuite, abaissez-le légèrement et retirez-le. Sinon, vous pouvez plier le filtre. Lavez et rincez les filtres à graisse avec un détergent liquide et replacez les filtres à graisse dans leur logement en effectuant les étapes indiquées ci-des-

## 4 Nettoyage et entretien

sus dans l'ordre inverse. Ce filtre retient les particules d'huile dans l'air.



Vous pouvez laver vos filtres à graisse dans le lave-vaisselle.



**ATTENTION** : En cas d'utilisation normale, nettoyez votre filtre une fois par mois.

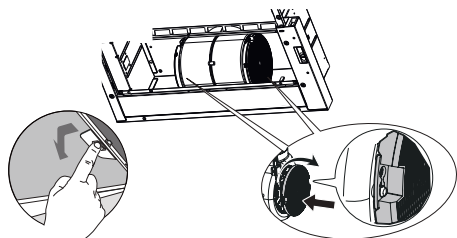
### ATTENTION

- Le filtre à charbon ne doit jamais être lavé.
- Remplacez les filtres à charbon une fois tous les 3 mois.
- Vous pouvez obtenir un filtre à charbon actif auprès des services autorisés.



### 4.2 Remplacement des filtres à carbone

Les filtres désodorisants contiennent du charbon de bois (charbon actif). Des filtres à graisse doivent être installés dans le produit, que des filtres à charbon soient utilisés ou non.



- Retirez le filtre à graisse.
- Pour retirer le filtre à charbon, retirez-le de son logement en le faisant tourner dans le sens inverse des aiguilles d'une montre à partir de la languette.
- Installez le nouveau filtre à charbon.
- Installez le filtre à graisse.

## 5 Installation de l'appareil



**AVERTISSEMENT** : Avant de commencer l'installation, lisez les informations de sécurité figurant dans le manuel d'utilisation.



**AVERTISSEMENT** : Si l'installation n'est pas effectuée avec des vis et des stabilisateurs conformément à ces instructions, cela peut entraîner un choc électrique.

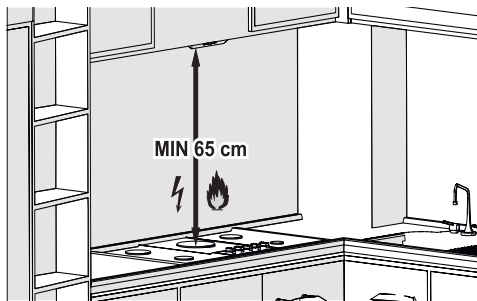


**REMARQUE**: Veuillez vous référer à la page 133 pour le guide d'installation

Pour l'installation de la hotte, veuillez contacter le Service autorisé le plus proche.

Il est de la responsabilité du client de préparer l'emplacement et l'installation électrique de la hotte.

### 5.1 Fonctionnement de l'appareil



- La distance entre le cuiseur et la hotte doit être prise en compte avant le montage. Cette distance doit être de 65 cm.
- La distance doit être mesurée à partir de la surface de la grille pour les cuisinières à gaz, à partir de la surface du verre pour les cuisinières électriques.

### 5.2 Installation de l'appareil



Utilisez des gants et des lunettes de protection lors des opérations de perçage et de coupe.

### 5.2 Rangement

- Si vous ne comptez pas utiliser votre appareil pendant un certain temps, veuillez le ranger soigneusement.
- Veillez également à ce que l'appareil soit débranché, complètement refroidi et entièrement sec.
- Conservez l'appareil dans un endroit frais et sec.
- Tenez l'appareil hors de la portée des enfants.

### 5.4 Manipulation et transport

- Pendant la manipulation et le transport, portez toujours l'appareil dans son emballage d'origine. L'emballage de l'appareil le protège des dommages physiques.
- Ne placez pas de charges lourdes sur l'appareil ou sur l'emballage. Cela pourrait l'endommager.
- Toute chute de l'appareil peut le rendre non opérationnel ou l'endommager de façon permanente.

## 6 Dépannage

Dépannage	Problème	Solution
L'appareil ne fonctionne pas.	Vérifiez le fusible.	Il se peut que votre fusible soit coupé ; remettez-le en marche.
L'appareil ne fonctionne pas.	Vérifiez le branchement.	La tension du secteur doit être comprise entre 220 et 240 V.
L'appareil ne fonctionne pas.	Vérifiez le branchement.	Vérifiez si les autres appareils de votre cuisine fonctionnent ou pas.
L'ampoule ne fonctionne pas.	Vérifiez le branchement.	La tension du secteur doit être comprise entre 220 et 240 V.
L'ampoule ne fonctionne pas.	Vérifiez l'interrupteur de l'ampoule.	L'interrupteur de l'ampoule doit être en position « Allumé ».
L'ampoule ne fonctionne pas.	Vérifiez les ampoules.	Les ampoules de l'appareil ne doivent pas être défectueuses.
L'appareil n'aspire pas l'air correctement.	Vérifiez le filtre en aluminium.	L'aluminium du filtre doit être nettoyé au moins une fois par mois en conditions d'utilisation normales.
L'appareil n'aspire pas l'air correctement.	Vérifiez l'évent d'aération.	L'évent d'aération doit être en position « Marche ».
L'appareil n'aspire pas l'air correctement.	Vérifiez le filtre à charbon.	Pour les appareils dotés d'un filtre à charbon, celui-ci doit normalement être remplacé tous les 3 mois.

## Bitte lesen Sie zunächst diese Anleitung!

Sehr geehrte Kundin, sehr geehrter Kunde,

Vielen Dank, dass Sie sich für dieses Gerät der Marke Beko entschieden haben. Wir sind überzeugt, dass Sie mit diesem Gerät, das mit den höchsten Qualitätsanforderungen und modernster Technologie hergestellt wurde, beste Ergebnisse erzielen werden. Bitte lesen Sie die gesamte Bedienungsanleitung und alle anderen Begleitdokumente aufmerksam, bevor Sie das Gerät verwenden; bewahren Sie sie zum künftigen Nachschlagen sicher auf. Wenn Sie das Gerät an jemanden weitergeben, händigen Sie ihm bitte auch diese Anleitung aus. Befolgen Sie die Anweisungen, indem Sie alle Informationen und Warnhinweise in der Bedienungsanleitung beachten.

Bitte denken Sie daran, dass diese Bedienungsanleitung eventuell für mehrere Modelle geschrieben wurde. Unterschiede zwischen den Modellen werden in der Anleitung klar und deutlich beschrieben.

## Bedeutung der Symbole

Folgende Symbole werden in den verschiedenen Abschnitten dieser Anleitung verwendet:



Wichtige Informationen und nützliche Hinweise zur Verwendung.



**WARNUNG:** Warnhinweise zu gefährlichen Situationen im Hinblick auf die Sicherheit von Leib, Leben und Eigentum.



Warnung vor Brandgefahr.



Warnung vor Stromschlägen.



RECYCELTES UND  
RECYCELBARES  
PAPIER

## 1.1 Allgemeine Sicherheit

W i c h t i g e Sicherheitsanweisungen sorgfältig lesen und zum künftigen Nachschlagen aufbewahren

Dieser Abschnitt enthält Sicherheitsanweisungen, die beim Schutz vor Personen- und Sachschäden, Bränden, Stromschlägen und dem Austreten von Mikrowellenenergie helfen. Bei Nichtbeachtung dieser Anweisungen erlischt die Gewährleistung.

- Beko-Produkte stimmen mit geltenden Sicherheitsstandards überein; daher sollten Gerät oder Netzkabel zur Vermeidung von Gefahren im Falle von Schäden durch den Händler, ein Kundencenter oder einen spezialisierten, autorisierten Serviceanbieter repariert oder ersetzt werden. Fehlerhafte oder unqualifizierte Reparatu-

ren können Gefahren und Risiken für den Benutzer verursachen.

- Dieses Gerät ist für den Einsatz in Haushalten und ähnlichen Bereichen vorgesehen, wie:
  - In Betriebsküchen, Läden, Büros und anderen Arbeitsumgebungen;
  - Bauernhöfen;
  - Von Gästen in Hotels und anderen Wohnumgebungen;
  - Pensionen und Jugendherbergen.
- Das Gerät darf nur für seinen in dieser Anleitung beschriebenen vorgesehenen Zweck verwendet werden.
- Der Hersteller haftet nicht für Schäden, die auf unsachgemäße Installation oder fehlerhaften Gebrauch zurückzuführen sind.
- Das Gerät darf nur dann

- von Kindern ab 8 Jahren und Personen mit körperlichen oder geistigen Einschränkungen genutzt werden, wenn diese beaufsichtigt werden oder gründlich über den richtigen und sicheren Umgang mit dem Gerät aufgeklärt wurden und sich sämtlicher möglicher Gefahren bewusst sind.
- Kinder dürfen nicht mit dem Gerät spielen. Reinigungs- und Wartungsarbeiten dürfen nicht unbeaufsichtigt von Kindern ausgeführt werden.
  - Der Abstand zwischen der Stützfläche für Kochgeschirr auf dem Kochfeld und dem niedrigsten Teil der Abzugshaube muss mindestens 65 cm betragen.
  - Falls die Anweisungen zur Installation eines Gasherdes einen größeren Abstand angeben, ist dieser einzuhalten.
  - Stellen Sie sicher, dass Ihre Stromversorgung mit den Angaben am Typenschild des Gerätes übereinstimmt.
  - Benutzen Sie das Gerät niemals, wenn das Netzkabel oder das Gerät selbst beschädigt ist.
  - Vermeiden Sie Schäden am Netzkabel, indem Sie es nicht quetschen, knicken oder über scharfe Kanten ziehen. Halten Sie das Netzkabel von heißen Oberflächen und offener Flamme fern.
  - Verwenden Sie das Gerät nur mit einer geerdeten Steckdose.
- WARNUNG:** Schließen Sie das Gerät erst nach vollständig abgeschlossener Installation an das Stromnetz an.
- Stellen Sie das Gerät so auf, dass der Netzstecker immer zugänglich ist.
  - Berühren Sie die Lampen nicht, falls sie lange Zeit in

Betrieb waren. Sie könnten sich die Finger verbrennen, da die Lampen heiß werden.

- Befolgen Sie die von zuständigen Behörden festgelegten Richtlinien zum Abführen von Abluft (diese Warnung ist bei Einsatz ohne Abzug nicht zutreffend).
- Nehmen Sie Ihr Gerät erst in Betrieb, nachdem Sie ein Kochgeschirr auf das Kochfeld gestellt haben. Andernfalls könnte hohe Hitze zur Verformung von Teilen Ihres Geräts führen.
- Schalten Sie die Kochfelder ab, bevor Sie das Kochgeschirr herunternehmen.
- Lassen Sie kein heißes Öl auf das Kochfeld gelangen. Kochgeschirr mit heißem Öl kann sich selbst entzünden.
- Achten Sie auf Vorhänge und Abdeckungen, da Öl beim Zubereiten von Lebensmitteln, wie Pommes frites, Feuer fangen kann.
- Der Fettfilter muss mindestens einmal im Monat ersetzt werden. Der Kohlefilter muss mindestens alle 3 Monate ersetzt werden.
- Das Produkt muss entsprechend der Bedienungsanleitung gereinigt werden. Falls die Reinigung nicht entsprechend der Bedienungsanleitung durchgeführt wird, besteht Brandgefahr.
- Verwenden Sie kein nicht feuerbeständiges Filtermaterial anstelle des aktuellen Filters.
- Verwenden Sie nur Originalteile und vom Hersteller empfohlene Teile.
- Verwenden Sie das Gerät nicht ohne Filter. Entfernen Sie die Filter nicht, während das Gerät läuft.
- Sollte sich etwas entzünden, unterbrechen Sie als

erstes sofort die Energieversorgung.

- Erstickten Sie ein Feuer mit einer geeigneten Decke oder ähnlich, verwenden Sie zum Löschen niemals Wasser.
- Trennen Sie das Gerät vor jeder Reinigung und bei Nichtbenutzung von der Stromversorgung.
- Der Unterdruck in der Umgebung darf 4 Pa (4 x 10 bar) nicht überschreiten, während die Dunstabzugshaube für das elektrische Kochfeld und Geräte mit einer anderen Energiequelle als Strom gleichzeitig laufen.
- Falls sich ein mit Heizöl oder Brenngasen betriebenes Gerät, z. B. Heizungen, in der Nähe der Dunstabzugshaube befindet, muss die Abluft dieses Gerätes vollständig getrennt abgeführt werden oder es muss hermetisch sein.
- Verwenden Sie zum An-

schluss des Abzugs Rohre mit einem Durchmesser von 120 oder 150 mm. Der Rohranschluss muss möglichst kurz sein und sollte möglichst wenige Biegungen aufweisen.

- **Verschluckungsgefahr!** Halten Sie alle Verpackungsmaterialien von Kindern fern.

**ACHTUNG:** Zugängliche Teile können bei Verwendung mit Kochgeräten heiß werden.

- Der Auslass des Produktes darf nicht an Luftkanäle angeschlossen werden, die auch andere Abluft abführen.
- Die Belüftung im Raum reicht möglicherweise nicht aus, wenn die Abzugshaube für das elektrische Kochfeld gemeinsam mit Geräten, die mit Gas oder anderen Kraftstoffen laufen, betrieben wird (dies trifft möglicherweise nicht auf Geräte zu, die Luft zu-

# 1 Wichtige Sicherheits- und Umwelanweisungen

rück in den Raum abgeben).


- Auf dem Produkt platzierte Gegenstände könnten herunterfallen. Stellen Sie keine Gegenstände auf das Produkt.
- Flambieren Sie nicht unter dem Gerät.

**WARNUNG:** Entfernen Sie vor Installation der Dunstabzugshaube die Schutzfolien.

- Achten Sie darauf, dass niemals hohe offene Flammen unter der Dunstabzugshaube entstehen, wenn diese in Betrieb ist.
- Fritteusen müssen während der Benutzung kontinuierlich überwacht werden; überhitztes Öl kann Feuer fangen.

## 1.2 Ihre Pflichten als Endnutzer



Dieses Produkt erfüllt die Vorgaben der EU-WEEE-Direktive (2012/19/ EU). Das Produkt wurde mit einem  Klassifizierungssymbol für elektrische und elektronische Altgeräte (WEEE) gekennzeichnet.

Dieses Elektro- bzw. Elektronikgerät ist mit einer durchgestrichenen Abfalltonne auf Rädern gekennzeichnet. Das Gerät darf deshalb nur getrennt vom unsortierten Siedlungsabfall gesammelt und zurückgenommen werden. Es darf somit nicht in den Hausmüll gegeben werden. Das Gerät kann z.B. bei einer kommunalen Sammelstelle oder ggf. bei einem Vertreiber (siehe unten zu deren Rücknahmepflichten in Deutschland) abgegeben werden.

Das gilt auch für alle Bauteile, Unterbaugruppen und Verbrauchsmaterialien des zu entsorgenden Altgeräts.

Bevor das Altgerät entsorgt werden darf, müssen alle Altbatterien und Altakkumulatoren vom Altgerät getrennt werden, die nicht vom Altgerät umschlossen sind. Das gleiche gilt für Lampen, die zerstörungsfrei aus dem Altgerät entnommen werden können. Der Endnutzer ist zudem selbst dafür verantwortlich, personenbezogene Daten auf dem Altgerät zu löschen.

Die ordnungsgemäße Entsorgung gebrauchter Geräte trägt dazu bei, mögliche negative Folgen für die Umwelt und die menschliche Gesundheit zu vermeiden.

## 1.3 Hinweise zum Recycling



Helfen Sie mit, alle Materialien zu recyceln, die mit diesem Symbol gekennzeichnet sind. Entsorgen Sie solche Materialien, insbesondere Verpackungen, nicht im Hausmüll, sondern über die bereitgestellten Recyclingbehälter oder die

entsprechenden Sammelsysteme.

Recyceln Sie zum Umwelt- und Gesundheitsschutz elektrische und elektronische Geräte.

## 1.4 Rücknahmepflichten der Verreiber

Wer auf mindestens 400 m<sup>2</sup> Verkaufsfläche Elektro- und Elektronikgeräte vertreibt oder diese gewerblich an Endnutzer abgibt, ist verpflichtet, bei Abgabe eines neuen Gerätes, ein Altgerät des Endnutzers der gleichen Geräteart, das im Wesentlichen die gleichen Funktionen wie das neue Gerät erfüllt, am Ort der Abgabe oder in unmittelbarer Nähe, unentgeltlich zurückzunehmen. Das gilt auch für Verreiber von Lebensmitteln mit einer Gesamtverkaufsfläche von mindestens 800 m<sup>2</sup>, die mehrmals im Kalenderjahr oder dauerhaft Elektro- und Elektronikgeräte anbieten und auf dem Markt bereitstellen. Solche Verreiber müssen zudem auf Verlangen des Endnutzers Altgeräte, die in keiner äußeren Abmessung größer als 25 cm sind, (kleine Elektrogeräte) im Einzelhandelsgeschäft oder in unmittelbarer Nähe hierzu unentgeltlich zurückzunehmen; die Rücknahme darf in diesem Fall nicht an den Kauf eines Elektro- oder Elektronikgerätes verknüpft, kann aber auf drei Altgeräte pro Geräteart beschränkt werden.

Ort der Abgabe ist auch der private Haushalt, wenn das neue Elektro- oder Elektronikgerät dorthin geliefert wird; in diesem Fall ist die Abholung des

Altgerätes für den Endnutzer kostenlos.

Die vorstehenden Pflichten gelten auch für den Vertrieb unter Verwendung von Fernkommunikationsmitteln, wenn die Verreiber Lager- und Versandflächen für Elektro- und Elektronikgeräte bzw. Gesamtlager und Versandflächen für Lebensmittel beinhalten, die den oben genannten Verkaufsflächen entsprechen. Die unentgeltliche Abholung von Elektro- und Elektronikgeräten ist dann aber auf Wärmeüberträger (z.B. Kühlschrank), Bildschirme, Monitore und Geräte, die Bildschirme mit einer Oberfläche von mehr als 100 cm<sup>2</sup> enthalten und Geräte beschränkt, bei denen mindestens eine der äußeren Abmessungen mehr

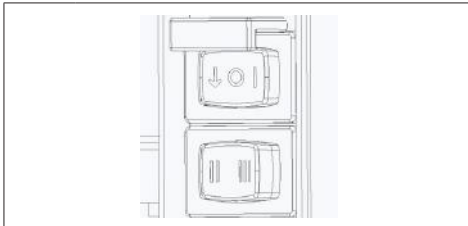
## 1.5 Einhaltung von RoHS-Vorgaben

Das von Ihnen erworbene Produkt erfüllt die Vorgaben der EU-RoHS Richtlinie (2011/65/EU). Es enthält keine in der Richtlinie angegebenen gefährlichen und unzulässigen Materialien.



## 3 Bedienung des gerätes

### 3.1 Nutzung des Kippschalters



↓	Aktiviert die 2. und 3. Geschwindigkeitsstufe.
I	Drücken Sie die Taste „I“, um mit der 1. Geschwindigkeitsstufe zu arbeiten.
○	Wenn Sie ihn in die Position „○“ drehen, schaltet sich das Gerät aus. Gleichzeitig schaltet sich das Gerät beim Schließen des Schiebefensters aus.
II	Drücken Sie die Taste „II“, um mit der 2. Geschwindigkeitsstufe zu arbeiten.
III	Drücken Sie die Taste „III“, um in der 3. Geschwindigkeitsstufe zu arbeiten.

### 3.2 Bedienungsanleitung

- Ihr Gerät enthält einen Motor, der verschiedene Geschwindigkeiten hat.
- Für eine bessere Leistung empfehlen wir niedrige Geschwindigkeiten unter normalen Bedingungen und hohe Geschwindigkeiten bei starken Gerüchen und intensiven Dämpfen.
- Sie können Ihr Gerät starten, indem Sie auf die Taste für die gewünschte Geschwindigkeitseinstellung drücken. (I, II, III)
- Beim Öffnen des Schiebers leuchtet die Lampe, beim Schließen des Schiebers erlischt die Lampe.

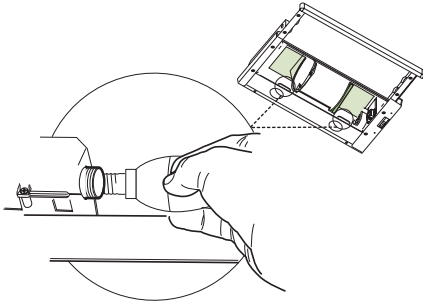
### 3.3 Effiziente und energiesparende Nutzung


- Wenn Sie Ihr Gerät benutzen, passen Sie die Geschwindigkeitseinstellungen je nach Dampf- und Geruchsintensität an, um Energie zu sparen.
- Verwenden die niedrige bzw. mittlere Stufe (I-II) unter Normalbedingungen und die höchste Stufe (III) bei intensiver Dunst- und Geruchsentwicklung.
- Die Lampen der Dunstabzugshaube sind so angebracht, dass sie den Herdbereich beleuchten.
- Ihr Nutzung für die Beleuchtung der Küche kann zu unnötigen zusätzlichen Stromkosten führen, ohne dass die Raumbeleuchtung ausreichend wäre.
- Damit Ihr Gerät weniger Energie verbraucht, sollten Sie es mit einer niedrigen Geschwindigkeit laufen lassen.
- Ihr Gerät reduziert den Energieverbrauch und arbeitet effizienter, wenn Sie für eine ausreichende Luftzufuhr sorgen.
- Stellen Sie Ihr Gerät auf eine Stufe mit starker Ansaugleistung, bevor sich Dämpfe entwickeln, wenn eine starke Dampfentwicklung zu erwarten ist. So reduzieren Sie den Energieverbrauch, weil Sie das Gerät weniger lange einsetzen müssen, da die Luftzufuhr ausreichend ist.
- Kochen Sie möglichst mit geschlossenem Deckel, sodass weniger Dampf entweichen kann.

### 3.4 Auswechseln der Leuchtmittel

Entfernen Sie den Aluminium-Patronenfilter. Entfernen Sie die defekte Lampe und setzen Sie eine Lampe mit den gleichen Werten ein.

## 3 Bedienung des gerätes



<b>Glühbirne</b>	
<b>Leistung der Lampe</b>	4 W
<b>Halter / Sockel</b>	E14
<b>Die Spannung der Glühbirne</b>	240 - 220 V
<b>Größe</b>	35x100 mm
<b>ILCOS-Code</b>	DRBB/F-220-4- -240E100/35-14
<b>Lichtstrom</b>	400 ml
<b>Korrelierte Farbtemperatur</b>	3000 K

Dieses Produkt enthält eine Lichtquelle der Energieeffizienzklasse "F".

- In diesem Produkt wird eine kerzenförmige LED-Lampe verwendet.
- Beim Lampenwechsel sollte eine max. 4-W-Lampe verwendet werden.

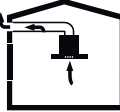


- Vor dem Austausch der Leuchten müssen Sie die Stromzufuhr unterbrechen.
- Berühren Sie die Leuchten niemals im erhitzten Zustand.
- Achten Sie darauf, dass Sie die ausgetauschte Leuchte nicht mit den Händen berühren.



Sie können Leuchten über unsere vertraglichen Kundendienstanbieter beziehen.

### 3.5 Verwendung mit Abluftkanalanschluss

-  Der Dampf wird durch das Abluftrohr, der am Anschlusskopf der Abzugshaube auf dem Herd befestigt ist, abgesaugt.
- Der Durchmesser des Abluftrohrs muss dem Durchmesser des Anschlusrings entsprechen. Bei horizontaler Anordnung muss das Rohr ein leichtes Gefälle (ca. 10°) nach oben haben, damit die Luft leicht aus dem Raum austreten kann.

### 3.6 Verwendung ohne Abluftkanalanschluss

-  Die Luft wird durch den Kohlefilter gefiltert und im Raum rezirkuliert. Der Kohlefilter wird verwendet, wenn es unmöglich ist, einen Rauchabzug im Haus zu benutzen.
- Im rauchgaslosen Betrieb sind die Klappen im Inneren des Rauchgasadapters zu entfernen.
- Entfernen Sie den Fettfilter. Zum Einbau des Kohlefilters den Filter auf die Laschen aufsetzen, indem Sie ihn auf dem Kunststoffteil auf beiden Seiten des Gebläsegehäuses zentrieren. durch Rechts- oder Linksdrehung festziehen.
- Fettfilter ersetzen.

## 4 Reinigen und pflegen

Das Gerät sollte regelmäßig gereinigt und gewartet werden. Ein unzureichend gereinigtes Gerät hat negative Folgen für die Lebensdauer des Geräts. Für Transport und Wartung befolgen Sie bitte die Anweisungen in der Bedienungsanleitung.



Ziehen Sie vor der Reinigung und Wartung den Netzstecker oder schalten Sie den Schalter aus.

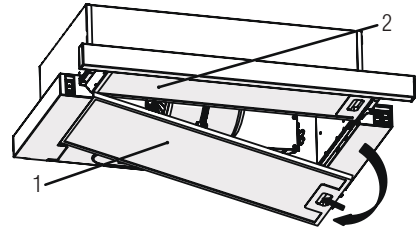


Die Nichteinhaltung der Reinigungsanweisungen für das Gerät und sowie der Anweisungen zum Filterwechsel kann zu akuter Brandgefahr führen. Daher wird dringend empfohlen, die hier gegebenen Anweisungen zu befolgen. Der Hersteller haftet nicht für Geräte- oder Brandschäden, die aus einer unsachgemäßen Verwendung herrühren.

Reinigen Sie das Gerät nur mit einem feuchten Tuch und einem neutralen Flüssigreiniger. Verwenden Sie keinesfalls Instrumente oder Werkzeuge für eine Reinigung. Verwenden Sie keine ätzenden oder scheuernden Reinigungsmittel. Verwenden Sie keine alkoholhaltigen Reinigungsmittel.

### 4.1 Reinigung des Fettfilters

Der Fettfilter hält die Ölpartikel in der Luft zurück. Fettfilter können nach wiederholter Reinigung ihre Farbe ändern. Dies ist normal und erfordert keinen Filterwechsel.



- Drücken Sie die Verriegelung des Fettfilters nach vorne.
- Ziehen Sie ihn dann leicht nach unten und ziehen Sie ihn heraus. Andernfalls können Sie den Fettfilter verbiegen. Waschen und spülen Sie Fettfilter mit flüssigem Reinigungsmittel und ersetzen Sie Fettfilter in ihren Fassungen, indem Sie die oben angegebenen Schritte in umgekehrter Reihenfolge durchführen. Der Fettfilter hält die Ölpartikel in der Luft zurück.



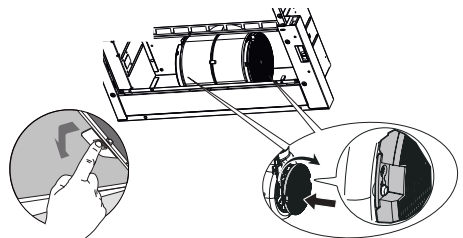
Sie können den Fettfilter in der Spülmaschine waschen.



**WARNUNG:** Reinigen Sie Ihren Fettfilter bei normalem Gebrauch einmal pro Monat.

### 4.2 Austausch des Kohlefilters

Geruchsbesitzigende Filter enthalten Holzkohle (Aktivkohle). Aluminium-Fettfilter müssen in das Produkt eingebaut werden, unabhängig davon, ob Kohlenstofffilter verwendet werden.



## 4 Reinigen und pflegen

- Fettfilter entfernen.
- Um den Kohlefilter zu entfernen, nehmen Sie den Kohlefilter aus seinem Gehäuse heraus, indem Sie ihn gegen den Uhrzeigersinn aus der Lasche drehen.
- Bauen Sie den neuen Kohlefilter ein.
- Attach the oil filters.



### WARNUNG

- Der Aktivkohlefilter darf niemals gewaschen werden.
- Ersetzen Sie die Kohlefilter einmal alle 3 Monate.
- Sie können den Aktivkohlefilter bei autorisierten Servicehändlern beziehen.

## 5 Installation des Geräts



**WARNUNG:** Lesen Sie vor Beginn der Installation die Sicherheitshinweise im Benutzerhandbuch.



**WARNUNG:** Wenn Sie nicht mit Schrauben und Stabilisatoren gemäß diesen Anweisungen installieren, kann dies zu einem elektrischen Schlag führen.



Lesen Sie dazu auch Seite 133 mit der Aufbauanleitung

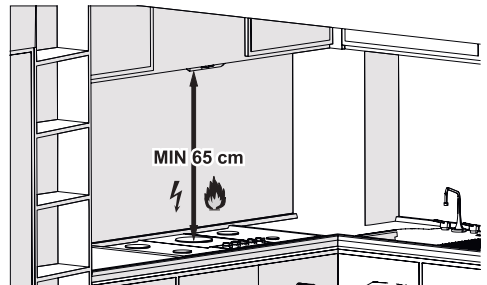
Um die Dunstabzugshaube zu installieren, wenden Sie sich bitte an den nächstgelegenen autorisierten Kundendienst.

Es liegt in der Verantwortung des Kunden, den Standort der Dunstabzugshaube und die elektrische Installation vorzubereiten.

### 5.1 Positionierung des Geräts

- Der Abstand zwischen dem Herd und der Abzugshaube muss vor der Montage berücksichtigt werden. Dieser Abstand sollte 65 cm betragen.

- Der Abstand muss bei Gasherden von der Oberfläche des Rostes und bei Elektroherden von der Oberfläche des Glases gemessen werden.



### 5.2 Gerät installieren



Tragen Sie beim Bohren und Schneiden immer Sicherheitshandschuhe und eine Schutzbrille.

### 5.3 Lagerung

- Wenn Sie beabsichtigen, das Gerät für längere Zeit nicht zu benutzen, bewahren Sie es bitte sorgfältig auf.
- Bitte stellen Sie sicher, dass das Gerät ausgesteckt, abgekühlt und vollständig trocken ist.
- Lagern Sie das Gerät an einem kühlen

## 5 Installation des Geräts

und trockenen Ort.

- Bewahren Sie das Gerät außerhalb der Reichweite von Kindern auf

### 5.4 Handhabung und Transport

- Tragen Sie das Gerät während der Handhabung und des Transports in der Originalverpackung. Die Verpackung des Geräts schützt es vor physischen Schäden.

- Legen Sie keine schweren Lasten auf das Gerät oder auf die Verpackung. Das Gerät kann beschädigt werden.
- Das Herunterfallen des Geräts macht es funktionsunfähig oder verursacht bleibende Schäden.

## 6 Fehlerbehebung

Fehlerbehebung	Grund	Hilfe
Das Produkt funktioniert nicht.	Überprüfen Sie Ihre Sicherung	Ihre Sicherung könnte geschlossen sein, sorgen Sie dafür, dass sie funktioniert.
Das Produkt funktioniert nicht.	Überprüfen Sie die elektrische Verbindung.	Die Netzspannung sollte zwischen 220-240V liegen.
Das Produkt funktioniert nicht.	Überprüfen Sie die elektrische Verbindung.	Überprüfen Sie, ob die anderen Produkte in Ihrer Küche funktionieren oder nicht.
Die Beleuchtung Lampe funktioniert nicht.	Überprüfen Sie die elektrische Verbindung.	Die Netzspannung sollte zwischen 220-240V liegen.
Die Beleuchtung Lampe funktioniert nicht.	Überprüfen Sie den Lampenschalter.	Der Lampenschalter sollte sich in der Position "Ein/on" befinden.
Die Beleuchtung Lampe funktioniert nicht.	Überprüfen Sie die Lampen.	Die Lampen des Produkts sollten nicht defekt sein.
Die Luftzufuhr des Produkts ist schlecht.	Prüfen Sie den Aluminiumfilter.	Der Aluminium-Ölfilter sollte unter normalen Bedingungen mindestens einmal im Monat gereinigt werden.
Die Luftzufuhr des Produkts ist schlecht.	Überprüfen Sie den Abluftkamin.	Der Entlüftungskanal sollte sich in der "Ein" Stellung befinden.
Die Luftzufuhr des Produkts ist schlecht.	Überprüfen Sie den Kohlefilter.	Bei Produkten mit Kohlefilter sollte der Filter normalerweise alle 3 Monate gewechselt werden.

## Garantiebedingungen

### Anschrift:

Beko Grundig Deutschland GmbH  
Thomas-Edison-Platz 3  
D-63263 Neu-Isenburg

Kundendienst-Tel.: 06102-86 86 891

Fax: 01805-414 400 \*

E-Mail: Kundendienst@beko.com

Ersatzteile-Tel.: 01805-242 515 \*

Fax: 01805-345 001\*

E-Mail: ersatzteile@beko.com

Sehr geehrte Kundin, sehr geehrter Kunde,

wir gratulieren Ihnen zum neuen Gerät der Marke Beko und wünschen Ihnen viel Freude daran. Sollten Sie dennoch einmal einen Grund zu einer Reklamation erkennen, dann wenden Sie sich bitte an unseren Kundendienst. Geben Sie im Falle einer Störung Ihre genaue Anschrift, Telefonnummer und den GERÄTETYP (vom Typenschild des Gerätes) an.

### Hinweis für Kühl- und Gefriergeräte, Achtung!

Um voll funktionsfähig zu sein, benötigt Ihr Gerät nach dem Transport ca. 24 Stunden, in denen sich das Kühlmittel stabilisiert. Sofern es nicht vermeidbar ist und Sie das Gerät sofort nach Aufstellung mit Gefriergut bestücken wollen, müssen Sie damit rechnen, dass die rote Lampe bis zur Stabilisierung des Kühlkreislaufs aufleuchtet. Die Kühlleistung beginnt jedoch vom Augenblick des Anschlusses an sich auf zu bauen.

### Die Garantiezeit beträgt 24 Monate ab Kaufdatum.

#### Bedingungen:

Dieses Gerät wurde nach den modernsten Methoden hergestellt und geprüft. Der Hersteller leistet unabhängig von der gesetzlichen Gewährleistungsverpflichtung des Verkäufers / Händlers für die Dauer von 24 Monaten, gerechnet vom Tag des Kaufes, Garantie für einwandfreies Material und fehlerfreie Fertigung.

Der Garantieanspruch erlischt bei Eingriffen durch den Käufer oder durch Dritte, die vom Hersteller nicht für den Service autorisiert sind oder wenn das Gerät zu gewerblichen Zwecken eingesetzt wird. Schäden die durch unsachgemäße Behandlung oder Bedienung, durch falsches Aufstellen oder Aufbewahren, durch unsachgemäßen Anschluss, oder fehlerhafte Installationen sowie durch höhere Gewalt oder sonstige äußere Einflüsse entstehen, fallen nicht unter die Gewährleistung.

#### Abhilfemöglichkeiten:

Wir behalten uns vor, bei Reklamationen die defekten Teile auszubessern oder zu ersetzen oder das Gerät auszutauschen. Ausgetauschte Teile oder ausgetauschte Geräte gehen in unser Eigentum über. Nur wenn durch Nachbesserung(en) oder Umtausch des Gerätes die herstellereitig vorgesehene Nutzung endgültig nicht zu erreichen sein sollte, kann der Käufer aus Gewährleistung innerhalb von 24 Monaten, gerechnet vom Tag des Kaufes, Herabsetzung des Kaufpreises oder Aufhebung des Kaufvertrages verlangen. Nachbesserungen verlängern nicht die Gewährleistungszeit. Schadenersatzansprüche, auch hinsichtlich Folgeschäden, sind, soweit sie nicht auf Vorsatz oder grober Fahrlässigkeit beruhen, ausgeschlossen.

Bei unnötiger oder unberechtigter Beanspruchung des Kundendienstes berechnet dieser Zeit- und Wegeentgelt. Reklamationen sind unmittelbar nach Feststellung zu melden. Der Garantieanspruch ist vom Käufer, durch Vorlage der Kaufquittung, nachzuweisen. Bei Nicht-vorlage ist die Reparatur kostenpflichtig. Eine Rückerstattung – nach späterer Einsendung der Kaufquittung – kann nur innerhalb von einem Monat nach Rechnungsdatum gewährt werden.

**Diese Garantiezusage ist gültig innerhalb der Bundesrepublik Deutschland  
\*) 0,14 EUR/Min. aus dem Festnetz der T-Com; Mobilfunk max. 0,42 EUR/Min. (nur für Deutschland)**

# Παρακαλούμε διαβάστε πρώτα αυτές τις οδηγίες χρήσης!

Αξιότιμε πελάτη μας,

Ευχαριστούμε για την προτίμησή σας σε αυτή τη συσκευή Beko. Ελπίζουμε να έχετε τα καλύτερα αποτελέσματα από τη συσκευή της εταιρείας μας, η οποία έχει κατασκευαστεί με υψηλή ποιότητα και τεχνολογία αιχμής. Για το λόγο αυτόν, διαβάστε στην ολότητά τους και προσεκτικά αυτό το εγχειρίδιο χρήσης καθώς και όλα τα άλλα συνοδευτικά έγγραφα πριν χρησιμοποιήσετε αυτή τη συσκευή και φυλάξτε τη σαν αναφορά για μελλοντική χρήση. Αν παραδώσετε τη συσκευή σε κάποιον άλλον, παραδώστε και αυτό το εγχειρίδιο χρήσης. Ακολουθήστε τις οδηγίες προσέχοντας όλες τις πληροφορίες και τις προειδοποιήσεις που θα βρείτε στο εγχειρίδιο χρήσης.

Να έχετε υπόψη σας ότι αυτό το εγχειρίδιο χρήσης μπορεί να έχει εφαρμογή και σε άλλα μοντέλα. Οι διαφορές μεταξύ των μοντέλων περιγράφονται ρητά στο εγχειρίδιο.

## Σημασία των Συμβόλων

Τα σύμβολα που ακολουθούν χρησιμοποιούνται σε διάφορες ενότητες αυτού του εγχειριδίου χρήσης:



Σημαντικές πληροφορίες και χρήσιμες συμβουλές σχετικά με τη χρήση.



**ΠΡΟΕΙΔΟΠΟΙΗΣΗ:** Προειδοποιήσεις σχετικά με επικίνδυνες καταστάσεις σχετικά με την ασφάλεια της ζωής και της περιουσίας.



Προειδοποίηση για κίνδυνο φωτιάς.



Προειδοποίηση για ηλεκτροπληξία.



ΑΝΑΚΥΚΛΩΜΕΝΟ &  
ΑΝΑΚΥΚΛΩΣΙΜΟ  
ΧΑΡΤΙ

# 1 Σημαντικές οδηγίες σχετικά με την ασφάλεια και το περιβάλλον

## 1.1 Γενικά για την ασφάλεια

Σημαντικές Οδηγίες Ασφαλείας Διαβάστε τις Προσεκτικά και Φυλάξτε τις για Μελλοντική Αναφορά. Η ενότητα αυτή περιέχει οδηγίες ασφαλείας που θα βοηθήσουν στην προστασία από κίνδυνο φωτιάς, ηλεκτροπληξίας, έκθεσης σε διαρροή ενέργειας μικροκυμάτων, τραυματικό ή υλικές ζημιές. Η μη τήρηση των οδηγιών αυτών θα καταστήσει άκυρη κάθε εγγύηση.

- Τα προϊόντα Beko συμμορφώνονται με τα εφαρμοστέα πρότυπα ασφαλείας. Επομένως, σε περίπτωση οποιασδήποτε ζημιάς στη συσκευή ή στο καλώδιο ρεύματος, η επισκευή τους θα πρέπει να γίνεται από την αντιπροσωπεία, ένα κέντρο σέρβις ή ένα εξειδικευμένο και εξουσιοδοτημένο σέρβις, για την αποφυγή κάθε

κινδύνου. Τυχόν λανθασμένα ή ακατάλληλα εργασία επισκευής μπορεί να είναι επικίνδυνη και να προκαλέσει κίνδυνο στον χρήστη.

- Αυτή η συσκευή προορίζεται να χρησιμοποιείται σε οικιακές και παρόμοιες εφαρμογές, όπως:
  - Περιοχές κουζίνας προσωπικού για καταστήματα, γραφεία και άλλα περιβάλλοντα εργασίας.
  - Αγροικίες.
  - Από πελάτες σε ξενοδοχεία, και άλλα περιβάλλοντα οικιακού τύπου.
  - Περιβάλλοντα τύπου ενοικιαζόμενου δωματίου με πρβινό.
- Χρησιμοποιείτε τη συσκευή μόνο για την προβλεπόμενη χρήση της όπως αυτή περιγράφεται στο παρόν εγχειρίδιο.

# 1 Σημαντικές οδηγίες σχετικά με την ασφάλεια και το περιβάλλον

- Ο κατασκευαστής δεν μπορεί να θεωρηθεί υπεύθυνος για οποιεσδήποτε ζημιές προκληθούν από ακατάλληλη εγκατάσταση ή κακή χρήση του προϊόντος.
- Αυτή η συσκευή μπορεί να χρησιμοποιηθεί από παιδιά από 8 ετών και άνω και από άτομα με μειωμένες σωματικές, αντιληπτικές ή διανοητικές ικανότητες ή με έλλειψη εμπειρίας και γνώσης, αν τους έχει δοθεί επιτήρηση ή εκπαίδευση σχετικά με την ασφαλή χρήση της συσκευής και κατανοούν τους ενεχόμενους κινδύνους.
- Τα παιδιά δεν πρέπει να επιτρέπεται να παίζουν με τη συσκευή. Ο καθαρισμός και η συντήρηση από το χρήστη δεν θα πρέπει να γίνεται από παιδιά χωρίς επίβλεψη.
- Η ελάχιστη απόσταση ανάμεσα στην επιφάνεια υποστήριξης για τα σκεύη μαγειρέματος στην εστία μαγειρέματος και στην κάτω πλευρά του προϊόντος πρέπει να είναι τουλάχιστον 65 cm.
- Αν οι οδηγίες εγκατάστασης της εστίας αερίου καθορίζουν μεγαλύτερη απόσταση, αυτό πρέπει να ληφθεί υπόψη.
- Βεβαιωθείτε ότι η παροχής σας ρεύματος δικτύου συμμορφώνεται με τις πληροφορίες που παρέχονται στην πινακίδα στοιχείων της συσκευής.
- Σε καμία περίπτωση μη χρησιμοποιήσετε τη συσκευή αν το καλώδιο ρεύματος ή η ίδια η συσκευή έχει υποστεί ζημιά.
- Προστατεύετε το καλώδιο ρεύματος από ζημιά, με το να μην το συμπιέζετε, λυγίζετε ή αφήνετε να τρίβεται πάνω σε αιχμηρές ακμές. Κρατάτε το καλώδιο ρεύματος μακριά από καυτές επιφάνειες και

# 1 Σημαντικές οδηγίες σχετικά με την ασφάλεια και το περιβάλλον

γυμνή φλόγα.

- Χρησιμοποιείτε τη συσκευή μόνο με γειωμένη πρίζα.

**ΠΡΟΕΙΔΟΠΟΙΗΣΗ:** Μη συνδέσετε τη συσκευή στο ρεύμα δικτύου μέχρι να ολοκληρωθεί πλήρως η εγκατάστασή της.

- Τοποθετήστε τη συσκευή με τρόπο ώστε το φως της να είναι πάντα προσβάσιμο.
- Μην αγγίζετε τους λαμπτήρες αν έχουν λειτουργήσει για πολλή ώρα. Μπορεί να κάψουν τα χέρια σας, γιατί θα βρίσκονται σε υψηλή θερμοκρασία.
- Τηρείτε τους κανονισμούς που εκδίδουν οι αρμόδιες αρχές σχετικά με την εξαγωγή του εξαγόμενου αέρα (αυτή η προειδοποίηση δεν ισχύει σε περίπτωση χρήσης χωρίς αγωγό εξαγωγής αέρα).
- Χρησιμοποιείτε τη συσκευή σας μόνο αφού

τοποθετήσετε πάνω στην εστία μια κατσαρόλα, ένα τηγάνι κλπ. Διαφορετικά, η υψηλή θερμότητα μπορεί να προκαλέσει την παραμόρφωση ορισμένων μερών του προϊόντος.

- Απενεργοποιείτε την εστία πριν αφαιρέσετε την κατσαρόλα, το τηγάνι κλπ. από την εστία.
- Μην αφήνετε καυτό λάδι πάνω στην εστία. Τα τηγάνια με καυτό λάδι μπορούν να προκαλέσουν αυτανάφλεξη.
- Προσέχετε τις κουρτίνες και τα καλύμματά σας επειδή το λάδι μπορεί να αναφλεγεί όταν μαγειρεύετε φαγητά όπως πατάτες.
- Το φίλτρο λίπους πρέπει να αντικαθίσταται τουλάχιστον κάθε μήνα. Το φίλτρο άνθρακα πρέπει να αντικαθίσταται τουλάχιστον κάθε 3 μήνες.
- Το προϊόν θα πρέπει να καθαρίζεται σύμφωνα με

# 1 Σημαντικές οδηγίες σχετικά με την ασφάλεια και το περιβάλλον

- τις οδηγίες στο εγχειρίδιο χρήσης. Αν ο καθαρισμός δεν πραγματοποιήθηκε σύμφωνα με το εγχειρίδιο χρήσης, ενδέχεται να υπάρξει κίνδυνος φωτιάς.
- Μη χρησιμοποιείτε υλικά filtraρίσματος που δεν είναι ανθεκτικά στη φωτιά, αντί για το τρέχον φίλτρο.
  - Χρησιμοποιείτε μόνο γνήσια ανταλλακτικά ή ανταλλακτικά που συνιστά ο κατασκευαστής.
  - Μη χρησιμοποιείτε το προϊόν χωρίς το φίλτρο και μην αφαιρείτε τα φίλτρα ενώ είναι σε λειτουργία το προϊόν.
  - Σε περίπτωση ανάφλεξης, απενεργοποιήστε το προϊόν και τις συσκευές μαγειρέματος.
  - Σε περίπτωση ανάφλεξης, καλύψτε τη φλόγα και ποτέ μη χρησιμοποιήσετε νερό για να τη σβήσετε.
  - Αποσυνδέετε τη συσκευή πριν από κάθε καθαρισμό και όταν δεν χρησιμοποιείται η συσκευή.
  - Η αρνητική πίεση στο χώρο της συσκευής δεν πρέπει να υπερβαίνει τα 4 Pa (4 x 10 bar) ενώ λειτουργούν ταυτόχρονα ο απορροφητήρας για την ηλεκτρική εστία και συσκευές που λειτουργούν με άλλο τύπο ενέργειας.
  - Στον χώρο όπου χρησιμοποιείται η συσκευή, η εξαγωγή αερίων από συσκευές που λειτουργούν με αέριο ή πετρέλαιο, όπως σόμπα δωματίου πρέπει να είναι πλήρως απομονωμένη ή η συσκευή πρέπει να είναι ερμητικού τύπου.
  - Όταν συνδέετε τον αγωγό εξαγωγής αέρα, χρησιμοποιείτε σωλήνες διαμέτρου 120 ή 150 mm. Η σωλήνωση πρέπει να είναι όσο το δυνατόν μικρότερου μήκους και να έχει όσο το δυνατόν μικρότερες γωνίες.

# 1 Σημαντικές οδηγίες σχετικά με την ασφάλεια και το περιβάλλον

- Κίνδυνος ασφυξίας! Κρατάτε όλα τα υλικά συσκευασίας μακριά από παιδιά.

**ΠΡΟΣΟΧΗ:** Προσπελάσιμα μέρη της συσκευής μπορεί να αποκτήσουν υψηλή θερμοκρασία κατά τη χρήση με συσκευές μαγειρέματος.

- Η έξοδος του προϊόντος δεν πρέπει να συνδέεται με αγωγούς αέρα στους οποίους υπάρχουν άλλα απαέρια.

- Όταν ο απορροφητήρας για ηλεκτρική κουζίνα χρησιμοποιείται ταυτόχρονα με άλλες συσκευές που χρησιμοποιούν αέριο ή άλλα καύσιμα, ενδέχεται να μην είναι επαρκής ο αερισμός στο δωμάτιο (ίσως να μην ισχύει για συσκευές που εξαγουν τον αέρα πάλι στο δωμάτιο).

- Αντικείμενα που τοποθετούνται πάνω στο προϊόν μπορεί να πέσουν. Μην τοποθετείτε κανένα αντικείμενο πάνω στο προϊόν.

- Μην παρασκευάζετε φαγητά με συνταγές φλαμπέ κάτω από το προϊόν.

**ΠΡΟΕΙΔΟΠΟΙΗΣΗ:** Πριν εγκαταστήσετε τον απορροφητήρα, αφαιρέστε τις προστατευτικές μεμβράνες.

- Ποτέ μην αφήνετε ψηλές γυμνές φλόγες κάτω από τον απορροφητήρα, όταν αυτός βρίσκεται σε λειτουργία

- Τα σκεύη τηγανίσματος με πολύ λάδι ή λίπος πρέπει να επιτηρούνται συνεχώς κατά τη χρήση: αν το λάδι υπερθερμανθεί μπορεί να αναφλεγεί.

## 1.2 Συμμόρφωση με την Οδηγία περί αποβλήτων ηλεκτρικού και ηλεκτρονικού εξοπλισμού (ΑΗΗΕ) και τελική διάθεση του προϊόντος:

Το προϊόν αυτό συμμορφώνεται με την Οδηγία της Ευρωπαϊκής Ένωσης περί αποβλήτων ηλεκτρικού και ηλεκτρονικού εξοπλισμού (ΑΗΗΕ) (2012/19/ΕΕ). Το προϊόν φέρει σύμβολο ταξινόμησης για απόβλητα ηλεκτρικού και ηλεκτρονικού εξοπλισμού (ΑΗΗΕ).

# 1 Σημαντικές οδηγίες σχετικά με την ασφάλεια και το περιβάλλον



Αυτό το σύμβολο υποδεικνύει ότι το προϊόν αυτό δεν πρέπει να απορριφθεί μαζί με τα υπόλοιπα οικιακά απορρίμματα στο τέλος της ωφέλιμης ζωής του. Η χρησιμοποιημένη συσκευή πρέπει να επιστραφεί σε επίσημο σημείο συλλογής για ανακύκλωση ηλεκτρικών και ηλεκτρονικών συσκευών. Για να βρείτε αυτά τα σημεία συλλογής επικοινωνήστε με τις τοπικές σας αρχές ή με το κατάστημα όπου αγοράσατε το προϊόν. Κάθε νοικοκυριό παίζει σημαντικό ρόλο στην ανάκτηση και την ανακύκλωση παλιών συσκευών. Η σωστή απόρριψη της χρησιμοποιημένης συσκευής συμβάλλει στην αποτροπή ενδεχόμενων αρνητικών συνεπειών για το περιβάλλον και την ανθρώπινη υγεία.

Παραδώστε τα στα σημεία συλλογής υλικών συσκευασίας που έχουν καθοριστεί από τις τοπικές αρχές.

## 1.3 Συμμόρφωση με την Οδηγία περί περιορισμού χρήσης ορισμένων επικίνδυνων ουσιών (RoHS):

Το προϊόν που έχετε προμηθευτεί συμμορφώνεται με την Οδηγία της Ευρωπαϊκής ένωσης περί περιορισμού χρήσης ορισμένων επικίνδυνων ουσιών (RoHS) (2011/65/ΕΕ). Δεν περιέχει επικίνδυνα και απαγορευμένα υλικά που ορίζονται στην Οδηγία.

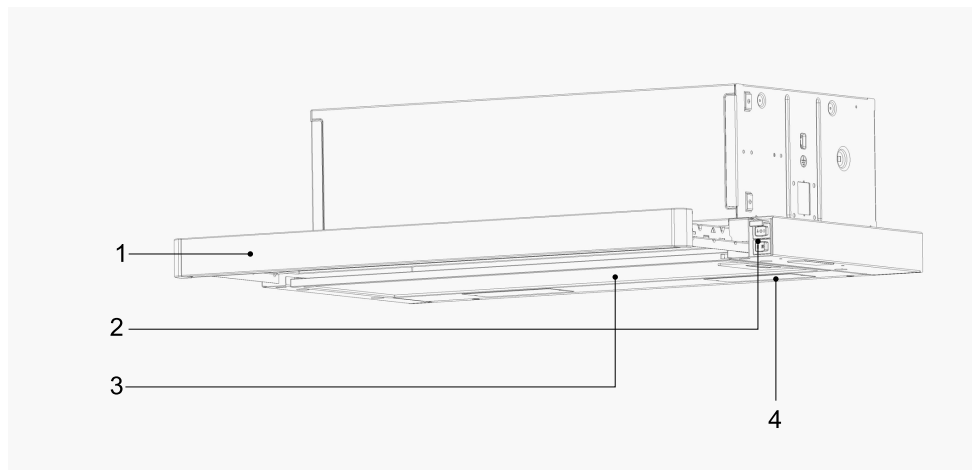
## 1.4 Πληροφορίες σχετικά με τη συσκευασία



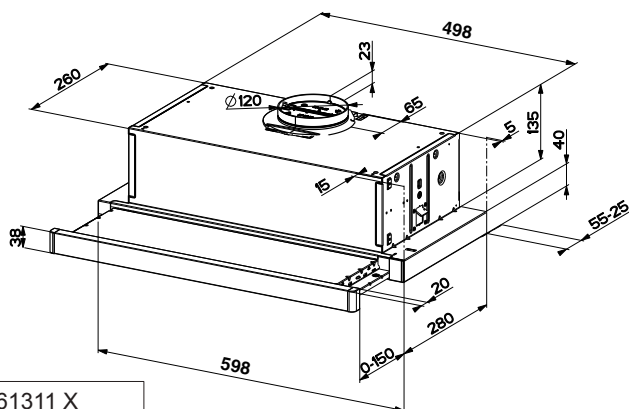
Τα υλικά συσκευασίας του προϊόντος είναι κατασκευασμένα από ανακυκλώσιμα υλικά σύμφωνα με τους εθνικούς μας κανονισμούς προστασίας του περιβάλλοντος. Μην απορρίψετε τα υλικά συσκευασίας μαζί με τα οικιακά ή άλλα απορρίμματα.

## 2 Γενική εμφάνιση

### 2.1 Επισκόπηση



1. Συρόμενο πάνελ
2. Διακόπτης
3. Φίλτρο
4. Φωτισμός

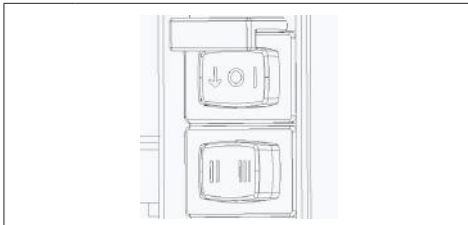


### 2.2 Τεχνικά Δεδομένα

Μοντέλο	HNT 61311 X HNT 61311 XH HNT 61310 BH HNT 61310 WH
Τάση τροφοδοσίας	220-240V ~ 50 Hz
Ισχύς λαμπτήρων	2 x 4 W
Ισχύς μοτέρ	115 W
Ρυθμός ροής – 3. Επίπεδο	300 m <sup>3</sup> /h
Κλάση ηλεκτρικής μόνωσης	ΚΛΑΣΗ F
Κλάση μόνωσης	ΚΛΑΣΗ II

## 3 Χρήση της Συσσκευής

### 3.1 Έλεγχος της Συσσκευής



↓	Ενεργοποιεί το 2ο και 3ο επίπεδο ταχύτητας.
I	Πατήστε το κουμπί «I» για να λειτουργήσετε στο 1ο επίπεδο ταχύτητας.
O	Όταν το γυρίζετε στη θέση «O», η συσκευή απενεργοποιείται. Ταυτόχρονα, η συσκευή απενεργοποιείται όταν ο πίνακας ολίσθησης είναι κλειστός.
II	Πατήστε το κουμπί «II» για να λειτουργήσετε στο 2ο επίπεδο ταχύτητας.
III	Πατήστε το κουμπί «III» για να λειτουργήσετε στο 3ο επίπεδο ταχύτητας.

### 3.2 Χειρισμός του απορροφητήρα

- Η συσκευή σας περιέχει ένα μοτέρ που διαθέτει διάφορες ταχύτητες.
- Για καλύτερη απόδοση, προτείνουμε να χρησιμοποιείτε χαμηλές ταχύτητες υπό κανονικές συνθήκες και υψηλές ταχύτητες σε περιπτώσεις έντονων οσμών και υδρατμών.
- Μπορείτε να εκκινήσετε τη συσκευή σας, πιέζοντας το επιθυμητό κουμπί ρύθμισης ταχύτητας. (I, II, III).
- Όταν ανοίγει ο πίνακας ολίσθησης, η λυχνία ανάβει, όταν το ρυθμιστικό είναι κλειστό, η λυχνία σβήνει.

### 3.3 Ενεργειακά αποδοτική χρήση

- Όταν χρησιμοποιείτε τη συσκευή

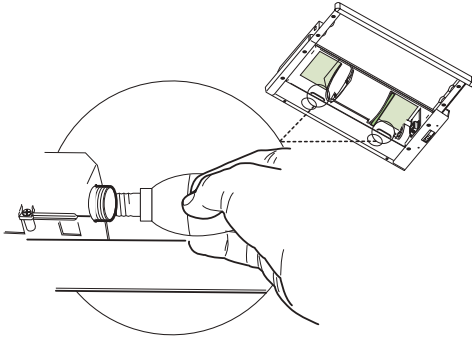
σας, προσαρμόστε τις ρυθμίσεις ταχύτητας ανάλογα με την ένταση της παραγωγής υδρατμών και οσμών, για εξοικονόμηση ενέργειας.

- Χρησιμοποιήστε τη ρύθμιση χαμηλής ταχύτητας (I-II) υπό κανονικές συνθήκες και τη ρύθμιση υψηλής ταχύτητας (III) για έντονη παραγωγή οσμών και υδρατμών.
- Οι λαμπτήρες στον απορροφητήρα προορίζονται για φωτισμό της περιοχής μαγειρέματος.
- Η χρήση των λαμπτήρων για φωτισμό του περιβάλλοντα χώρου ενδέχεται να οδηγήσει σε περιττή σπατάλη ενέργειας και μη επαρκή φωτισμό.
- Για να καταναλώνει η συσκευή σας λιγότερη ενέργεια, χρησιμοποιείτε την σε χαμηλό επίπεδο ταχύτητας.
- Η συσκευή σας θα έχει μειωμένη κατανάλωση ενέργειας όταν της παρέχετε επαρκή εισαγωγή αέρα, επειδή θα λειτουργεί πιο αποδοτικά.
- Σε περιπτώσεις που γνωρίζετε ότι θα παραχθεί πυκνός ατμός, ρυθμίζετε τη συσκευή σας σε επίπεδο ισχύος εντατικής αναρρόφησης πριν τον σχηματισμό του ατμού. Με αυτόν τον τρόπο, μειώνετε την κατανάλωση ενέργειας χρησιμοποιώντας τη συσκευή σας για συντομότερο χρόνο, αφού θα έχετε επαρκή εισαγωγή αέρα.
- Διατηρείτε τα καπάκια των μαγειρικών σκευών κλειστά, για να μειώνετε τη δημιουργία ατμού.

### 3.4 Αντικατάσταση λαμπτήρα

Αφαιρέστε το φίλτρο αλουμινίου. Αφαιρέστε τον ελαττωματικό λαμπτήρα και αντικαταστήστε τον με έναν νέο με την ίδια ονομαστική τιμή.

### 3 Χρήση της Συσκευής



Λυχνία	
Ισχύς λυχνίας	4 W
Στήριγμα/υποδοχή	E14
Ηλεκτρική τάση λυχνίας	220 - 240 V
Μέγεθος	35x100 mm
Κωδικός ILCOS	DRBB/F-4-220-240-E14-35/100
Φωτεινή ροή	400 ml
Συσχετισμένη θερμοκρασία χρώματος	3000 K

Αυτό το προϊόν περιέχει πηγή φωτός ενεργειακής κλάσης "F".

- Σε αυτό το προϊόν χρησιμοποιείται λαμπτήρας led τύπου κεριού.
- Κατά την αλλαγή της λάμπας, θα πρέπει να χρησιμοποιείται λυχνία μέγιστης ισχύος 4 W.

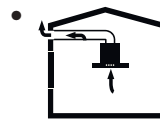


Μπορείτε να προμηθευτείτε λαμπτήρες από εξουσιοδοτημένους εκπροσώπους σέρβις.



- Πριν αντικαταστήσετε τους λαμπτήρες, αποσυνδέστε την τροφοδοσία ρεύματος του απορροφητήρα.
- Μην αγγίζετε τους λαμπτήρες όταν βρίσκονται σε υψηλή θερμοκρασία.
- Προσέχετε να μην αγγίζετε απευθείας με τα χέρια τους λαμπτήρες που αντικαθιστάτε.

### 3.5 Λειτουργία με σύνδεση στην καμινάδα

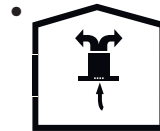


Οι υδρατμοί απομακρύνονται μέσω του αγωγού εξαγωγής, ο οποίος στερεώνεται στην κεφαλή σύνδεσης πάνω

στον απορροφητήρα.

- Η διάμετρος του αγωγού εξαγωγής πρέπει να είναι η ίδια με το δαχτυλίδι σύνδεσης. Σε οριζόντια τοποθέτηση, ο σωλήνας θα πρέπει να έχει μια ελαφρώς ανοδική κλίση (γύρω στις 10°), ώστε ο αέρας να βγαίνει εύκολα από το δωμάτιο.

### 3.6 Λειτουργία χωρίς σύνδεση στην καμινάδα



Ο αέρας φιλτράρεται από το φίλτρο άνθρακα και ανακυκλοφορεί στο δωμάτιο. Το φίλτρο άνθρακα χρησιμοποιείται

όταν δεν είναι δυνατή η χρήση αγωγού εξαγωγής στο σπίτι.

- Σε περιπτώσεις που δεν γίνεται χρήση αγωγού εξαγωγής, αφαιρέστε τα πτερύγια από το εσωτερικό του προσαρμογέα αγωγού εξαγωγής.

## 3 Χρήση της Συσκευής

- Αφαιρέστε το φίλτρο λίπους. Για εγκατάσταση του φίλτρου άνθρακα, τοποθετήστε το φίλτρο στις προεξοχές, κεντράροντάς το στο πλαστικό εξάρτημα και στις δύο πλευρές του σώματος του ανεμιστήρα και συσφίξτε το γυρνώντας δεξιά ή αριστερά.
- Αντικαταστήστε το φίλτρο λίπους.

## 4 Καθαρισμός και Συντήρηση

Η συσκευή θα πρέπει να καθαρίζεται και να συντηρείται τακτικά. Η μη τήρηση της καθαριότητας τη συσκευής θα επηρεάσει αρνητικά τη διάρκεια ζωής της συσκευής. Για τον καθαρισμό και τη συντήρηση, ακολουθείτε τις οδηγίες που αναφέρονται στο εγχειρίδιο.



Πριν τον καθαρισμό και τη συντήρηση, αποσυνδέστε τη συσκευή από την πρίζα ή απενεργοποιήστε τον γενικό διακόπτη ή λασκάρτε την ασφάλεια που τροφοδοτεί τον απορροφητήρα.



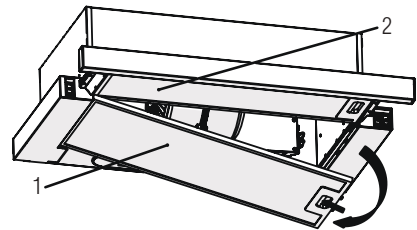
Η μη συμμόρφωση με τις οδηγίες σχετικά με τον καθαρισμό της συσκευής και την αντικατάσταση των φίλτρων μπορεί να επιφέρει κίνδυνο φωτιάς. Επομένως συνιστάται να ακολουθείτε τις οδηγίες που αναφέρονται εδώ. Ο κατασκευαστής δεν φέρει καμία ευθύνη για ζημιές κινητήρα ή φωτιές που προκύπτουν από ακατάλληλη χρήση.

Καθαρίζετε μόνο με ένα πανί που έχει υγρανθεί ελαφρά με ένα ουδέτερο υγρό απορρυπαντικό. Μην καθαρίζετε με

εργαλεία ή όργανα. Μη χρησιμοποιείτε προϊόντα που χαράζουν. Μη χρησιμοποιείτε οινόπνευμα

### 4.1 Καθαρισμός του φίλτρου λίπους

Αυτό το φίλτρο κατακρατεί τα σωματίδια λαδιού που βρίσκονται στον αέρα. Τα φίλτρα λίπους ενδέχεται να αλλάξουν χρώμα κατά τη διάρκεια του πλυσίματος. Η αλλαγή χρώματος είναι φυσιολογική και δεν χρειάζεται να αντικαταστήσετε το φίλτρο λίπους σας.



1. Εξωτερικό φίλτρο λίπους

2. Εσωτερικό φίλτρο λίπους

- Τραβήξτε τη συρόμενη πλάκα προς τα έξω κρατώντας το μπροστινό πλαίσιο. Αφαιρέστε πρώτα το εξωτερικό φίλτρο λίπους και μετά το εσωτερικό φίλτρο λίπους.

## 4 Καθαρισμός και Συντήρηση

- Σπρώξτε την ασφάλιση του φίλτρου προς τα εμπρός.
- Ύστερα, τραβήξτε τη λίγο προς τα κάτω και τραβήξτε το φίλτρο προς τα έξω. Διαφορετικά μπορεί να λυγίσετε το φίλτρο. Πλύνετε και ξεβγάλετε το φίλτρο λίπους με υγρό απορρυπαντικό και τοποθετήστε το φίλτρο λίπους πάλι πίσω στις υποδοχές του, ακολουθώντας τα παραπάνω βήματα με αντίστροφη σειρά. Αυτό το φίλτρο κατακρατεί τα σωματίδια λαδιού που βρίσκονται στον αέρα.
- Αφαιρέστε το φίλτρο λίπους.
- Για να αφαιρέσετε το φίλτρο άνθρακα, αφαιρέστε το φίλτρο άνθρακα από το περίβλημά του, περιστρέφοντάς τον αριστερόστροφα από την προεξοχή.
- Εγκαταστήστε το καινούργιο φίλτρο άνθρακα.
- Εγκαταστήστε το φίλτρο λίπους.



Μπορείτε να πλύνετε το φίλτρο λίπους στο πλυντήριο πιάτων.



**ΠΡΟΣΟΧΗ:** Σε περίπτωση φυσιολογικής χρήσης, καθαρίστε το φίλτρο σας μία φορά τον μήνα.

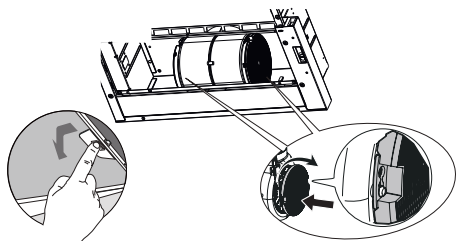


### ΠΡΟΣΟΧΗ

- Το φίλτρο άνθρακα δεν πρέπει να πλένεται ποτέ.
- Αντικαταστήστε τα φίλτρα άνθρακα μία φορά κάθε 3 μήνες.
- Μπορείτε να αποκτήσετε το φίλτρο άνθρακα από εξουσιοδοτημένες υπηρεσίες.

### 4.2 Αντικατάσταση των φίλτρων άνθρακα

Τα φίλτρα που εξαφανίζουν τις οσμές περιέχουν κάρβουνο (ενεργό άνθρακα). Το φίλτρο λίπους πρέπει να εγκατασταθεί στο προϊόν, ανεξάρτητα από το εάν χρησιμοποιούνται φίλτρα άνθρακα ή όχι.



- Η συσκευή που αγοράσατε είναι κατάλληλη για χρήση με φίλτρα άνθρακα.

## 5 Εγκατάσταση της Συσσκευής



**ΠΡΟΕΙΔΟΠΟΙΗΣΗ:** Προτού ξεκινήσετε την εγκατάσταση, διαβάστε τις πληροφορίες ασφαλείας στις οδηγίες χρήστη.



**ΠΡΟΕΙΔΟΠΟΙΗΣΗ:** Αν βίδες ή σταθεροποιητές δεν εγκατασταθούν σύμφωνα με τις παρούσες οδηγίες, μπορεί να προκληθεί ηλεκτροσόκ.

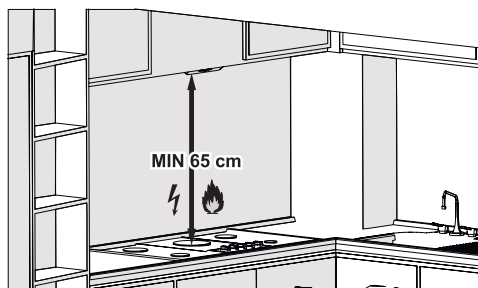


Παρακαλούμε ανατρέξτε στη σελίδα 133 για τις οδηγίες εγκατάστασης

Για την εγκατάσταση του απορροφητήρα, επικοινωνήστε με την πλησιέστερη Εξουσιοδοτημένη υπηρεσία.

Η προετοιμασία της τοποθεσίας και της ηλεκτρικής εγκατάστασης του απορροφητήρα είναι υπ' ευθύνη του πελάτη.

### 5.1 ΡΘέση της Συσσκευής



- Πριν την εγκατάσταση πρέπει να προσέξετε την απόσταση ανάμεσα στις εστίες μαγειρέματος και τον απορροφητήρα. Αυτή η απόσταση θα πρέπει να είναι 65 cm.
- Για πλάκες εστιών αερίου, από την επιφάνεια της σχάρας, Η μέτρηση

πρέπει να ληφθεί από την γυάλινη επιφάνεια σε ηλεκτρικές εστίες.

### 5.2 Εγκατάσταση της συσκευής



**ΠΡΟΕΙΔΟΠΟΙΗΣΗ:** Χρησιμοποιείτε προστατευτικά γάντια και γυαλιά όταν εκτελείτε εργασίες διάτρησης και κοπής.

### 5.3 Αποθήκευση

- Αν δεν σκοπεύετε να χρησιμοποιήσετε τη συσκευή για μεγάλο χρονικό διάστημα, αποθηκεύστε την προσεκτικά.
- Αποσυνδέστε τη συσκευή από την πρίζα και περιμένετε να κρυώσει τελείως πριν την αποθηκεύσετε.
- Αποθηκεύστε τη συσκευή σε δροσερό και στεγνό μέρος.
- Κρατάτε τη συσκευή μακριά από παι-διά.

### 5.4 Μετακίνηση και μεταφορά

- Μεταφέρετε τη συσκευή στην αρχική της συσκευασία κατά τη μετακίνηση και μεταφορά της. Η συσκευασία της συσκευής την προστατεύει από φυσικές ζημιές.
- Μην τοποθετείτε βαριά αντικείμενα πάνω στη συσκευή ή στη συσκευασία. Η συσκευή μπορεί να υποστεί ζημιά.
- Τυχόν πτώση της συσκευής μπορεί να την καταστήσει μη λειτουργική ή να της προκαλέσει μόνιμη ζημιά.

## 6 Αντιμετώπιση προβλημάτων

Αντιμετώπιση προβλημάτων	Αιτία	Διορθωτική ενέργεια
Το προϊόν δεν λειτουργεί.	Ελέγξτε την ασφάλειά σας.	Η ασφάλειά σας μπορεί να έπεσε, ενεργοποιήστε την.
Το προϊόν δεν λειτουργεί.	Ελέγξτε την ηλεκτρική σύνδεση.	Η τάση ρεύματος δικτύου θα πρέπει να είναι 220-240 V.
Το προϊόν δεν λειτουργεί.	Ελέγξτε την ηλεκτρική σύνδεση.	Ελέγξτε αν οι άλλες συσκευές στην κουζίνα σας λειτουργούν ή όχι.
Η λάμπα φωτισμού δεν λειτουργεί.	Ελέγξτε την ηλεκτρική σύνδεση.	Η τάση ρεύματος δικτύου θα πρέπει να είναι 220-240 V.
Η λάμπα φωτισμού δεν λειτουργεί.	Ελέγξτε τον διακόπτη της λάμπας.	Ο διακόπτης της λάμπας πρέπει να είναι στη θέση "ενεργοποίησης".
Η λάμπα φωτισμού δεν λειτουργεί.	Ελέγξτε τις λάμπες.	Οι λάμπες του προϊόντος δεν πρέπει να έχουν βλάβη.
Η αναρρόφηση αέρα στο προϊόν είναι ανεπαρκής.	Ελέγξτε το αλουμινένιο φίλτρο.	Το αλουμινένιο φίλτρο λαδιού θα πρέπει να καθαρίζεται τουλάχιστον μία φορά το μήνα υπό κανονικές συνθήκες.
Η αναρρόφηση αέρα στο προϊόν είναι ανεπαρκής.	Ελέγξτε τον αγωγό εξαγωγής αέρα.	Ο αγωγός εξαγωγής αέρα θα πρέπει να είναι ρυθμισμένος στην "ενεργοποιημένη" θέση.
Η αναρρόφηση αέρα στο προϊόν είναι ανεπαρκής.	Ελέγξτε το φίλτρο άνθρακα.	Για προϊόντα με φίλτρα άνθρακα, το φίλτρο θα πρέπει κανονικά να αλλάζεται κάθε 3 μήνες.

# Kérjük, először olvassa el ezt a használati útmutatót!

Tisztelt Vásárló,

Köszönjük, hogy ezt a Beko készüléket választotta. Reméljük, hogy a készülékével amelyet kiváló minőséggel és a legkorszerűbb technológiával gyártottak, a legjobb eredményeket érheti el. Ezért kérjük, mielőtt a készüléket felhasználná, figyelmesen olvassa el ezt a teljes felhasználói kézikönyvet és az összes többi kísérő dokumentumot és őrizze meg a későbbi felhasználási referenciaként. Ha a készüléket továbbadja, akkor adja tovább a felhasználói kézikönyvet is. Kövesse az utasításokat, vegye figyelembe a felhasználói kézikönyv összes információját és figyelmeztetését.

Ne feledje, hogy ez a felhasználói kézikönyv más modellekre is vonatkozhat. A modellek közötti különbségeket a kézikönyv kifejezetten leírja.

## A szimbólumok jelentése

A felhasználói kézikönyv egyes szakaszaiban az alábbi szimbólumokat használjuk:



Fontos információk és hasznos tippek a használatához.



**FIGYELMEZTETÉS:** Figyelmeztetések az élet és vagyon biztonságát érintő veszélyes helyzetekre.



Tűzveszély figyelmeztetés.



Áramütés figyelmeztetés.



ÚJRAHASZNOSÍTOTT ÉS  
ÚJRAFELDOLGOZHATÓ  
PAPÍR

# 1 Fontos biztonsági és környezetvédelmi utasítások

## 1.1 Általános biztonság

Fontos biztonsági utasítások Olvassa el figyelmesen, és őrizze meg a jövőbeli referenciák céljából. Ez a szakasz olyan biztonsági utasításokat tartalmaz, amelyek megvédik a tűz, az áramütés, a szivárgó mikrohullámú energia, a személyi sérülések és az anyagi károk veszélyétől. Ezen utasítások be nem tartása a garancia érvényvesztését okozza.

- A Beko termékek megfelelnek az alkalmazandó biztonsági előírásoknak; ezért a készülék vagy a tápkábel sérülése esetén a veszély elkerülése érdekében a terméket a forgalmazó, a szakszerviz vagy a szakember és hivatalos szerviz javíthatja, bármely veszély elkerülése érdekében. A hibás vagy minősítés nélküli javítás veszélyes lehet, és kockázatot jelenthet a felhasz-

náló számára.

- A berendezést otthoni, valamint az alábbi helyeken történő használatra tervezték:
  - Üzletek, irodák és egyéb munkahelyek személyzeti konyhája;
  - Farm házak,
  - szállodák és más szálláshelyek vendégei általi használat;
  - Bed and Breakfast szolgáltatók;
- A készüléket csak rendeltetésszerűen, a használati útmutatóban leírtak szerint használja.
- A gyártó nem vállal felelősséget a termék nem megfelelő beszereléséből vagy helytelen felhasználásából eredő károkért.
- A készülék használható 8 éves és ennél nagyobb gyermekek által, valamint csökkentett fizikális, érzékelési vagy mentális készségekkel rendelkező

# 1 Fontos biztonsági és környezetvédelmi utasítások

személyek által, vagy tapasztalattal és tudással nem rendelkező személyek által, ha őket a biztonságukért felelős személy a készülék használatával kapcsolatban tájékoztatással vagy iránymutatással látta el.

- Gyermekek nem játszhatnak a készülékkel. A tisztítást és a karbantartást gyermekek felügyelet nélkül nem végezhetik.
- A főzőlap főzőedényeinek tartófelülete és a termék alsó része közötti minimális távolságnak legalább 65 cm-nek kell lennie.
- Ha a gáztűzhely beszerelési útmutatója nagyobb távolságot ír elő, ezt figyelembe kell venni.
- Ellenőrizze, hogy a hálózati áramellátás megfelel-e a készülék adattábláján szereplő információknak.
- Soha ne használja a készüléket, ha a tápkábel vagy maga a készülék

megsérült.

- Kerülje el a tápkábel sérülését azáltal, hogy nem szorítja, hajlítja vagy dörzsöli éles szélekre. Tartsa távol a tápkábelt forró felületektől és nyílt lángtól.
- A készüléket csak földelt aljzattal használja.

**FIGYELMEZTETÉS:** Ne csatlakoztassa a készüléket a hálózathoz, amíg a telepítés teljesen be nem fejeződött.

- Helyezze el a készüléket oly módon, hogy a csatlakozó dugó mindig hozzáférhető legyen.
- Ne érintse meg a lámpákat, ha azok hosszú ideig működtek. Megégethetik a kezét, mivel forrók lesznek.
- Kövesse az illetékes hatóságok által a füstgáz kibocsátására vonatkozó előírásokat (ez a figyelmeztetés nem vonatkozik az égéstermék nélküli használatra).

# 1 Fontos biztonsági és környezetvédelmi utasítások

- A készülékét csak csésze, serpenyő esetén használhatja. Ellenkező esetben az erős hő a termék egyes elemeinek deformációját okozhatja.
- Mielőtt levenné az edényt, serpenyőt, stb., kapcsolja ki a főzőlapot.
- Ne hagyjon forró olajat a tűzhelyen. Forró olajat tartalmazó edények öngyulladásra okozhatnak.
- Vigyázzon a függönyökre és takarókra, mivel az olaj étel, például sült krumpli, sütés közben felgyulladhat.
- A zsír szűrőt minden hónapban ki kell cserélni. A szénszűrőt legalább háromhavonta ki kell cserélni.
- A terméket a felhasználói kézikönyvnek megfelelően kell megtisztítani. Ha a tisztítást nem a felhasználói kézikönyv szerint hajtották végre, tüzet okozhat.
- A jelenlegi szűrők helyett ne használjon nem tűzálló szűrőanyagokat.
- Csak eredeti alkatrészeket vagy a gyártó által ajánlott alkatrészeket használjon.
- Ne működtesse a terméket szűrő nélkül, és ne távolítsa el a szűrőket, amíg a termék működik.
- Ha bármilyen láng elindul, áramtalanítsa a terméket és a főzőkészülékeket.
- A láng belobbanása esetén takarja el a lángot, soha ne használjon az oláshoz vizet.
- Minden egyes tisztítás előtt és amikor a készüléket nem használja, húzza ki a konnektorból.
- A környezeti negatív nyomás nem haladhatja meg a 4 Pa-t (4 x 10 bar), ha az elektromos főzőlap páraelszívója és az elektromos áramtól eltérő, más típusú energiára működő készülékek egyszerre mű-

# 1 Fontos biztonsági és környezetvédelmi utasítások

ködnek.

- A környezetben, ahol a készüléket használják, a tüzelőolajra vagy gázra működő eszközök, pl. helyiségfűtő berendezések füstgázainak teljesen elszigetelten kell működnie, vagy az eszköznek hermetikus típusúnak kell lennie.
- Az égéstermék-elvezetéshez használjon 120 vagy 150 mm átmérőjű csövet. A csőcsatlakozásnak a lehető legrövidebbnek kell lennie és a lehető legkevesebb könyököt kell felhasználnia.

**Fulladás veszély!** A csomagolóanyagokat tartsa távol gyermekektől.

**VIGYÁZAT:** Főzőeszközökkel történő használat esetén a hozzáférhető részek forróak lehetnek.

- A termék kimenete nem csatlakoztatható más füstöt tartalmazó légcsatornához.
- Lehet, hogy a helyiség

szellőztetése nem elegendő, ha az elektromos főzőlap burkolatát egyidejűleg használják a gázzal vagy más üzemanyaggal működő eszközökkel (ez nem vonatkozik azokra a készülékekre, amelyek csak a levegőt vezetik vissza a helyiségbe).

- A termékre helyezett tárgyak leeshetnek. Ne tegyen semmilyen tárgyat a készülékre.
- Ne lánkoljon a termék alatt.

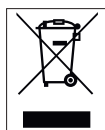
**FIGYELMEZTETÉS:** A páraelszívó felszerelése előtt távolítsa el a védőfóliákat.

- Soha ne hagyjon magas nyílt lángot a páraelszívót alatt, amikor az működésben van.
- Használat közben a folyamatosan ellenőrizze a fritőzöket: a túlmelegedett olaj fellángolhat.

# 1 Fontos biztonsági és környezetvédelmi utasítások

## 1.2 A WEEE-irányelvnek való megfelelés és hulladékártalmatlanítás:

A termék megfelel a WEEE (elektromos és elektronikus berendezések hulladéka-ról szóló 2012/19/EU) irányelv követelményeinek. Ez a termék elektromos és elektronikus hulladék osztályozási szimbólummal (WEEE) rendelkezik.



Ez a szimbólum azt jelzi, hogy a terméket az élettartama végén nem szabad közösen más háztartási hulladékokkal együtt kidobni. A használt eszközt vissz-

szsza kell vinni a hivatalos gyűjtőhelyre az elektromos és elektronikus eszközök újrahasznosítása céljából. A gyűjtőrendszerek megtalálásához vegye fel a kapcsolatot a helyi hatóságokkal vagy a kereskedővel, ahol a terméket vásárolták. Minden háztartás fontos szerepet tölt be a régi készülékek visszanyerésében és újrahasznosításában. A használt készülék megfelelő ártalmatlanítása segít megelőzni a környezetre és az emberi egészségre gyakorolt lehetséges negatív következményeket.

## 1.3 Az RoHS irányelv betartása

A megvásárolt termék megfelel az EU RoHS Irányelvének (2011/65/EU). Nem tartalmaz az irányelvben meghatározott káros és tiltott anyagokat.

## 1.4 Csomagolási információ

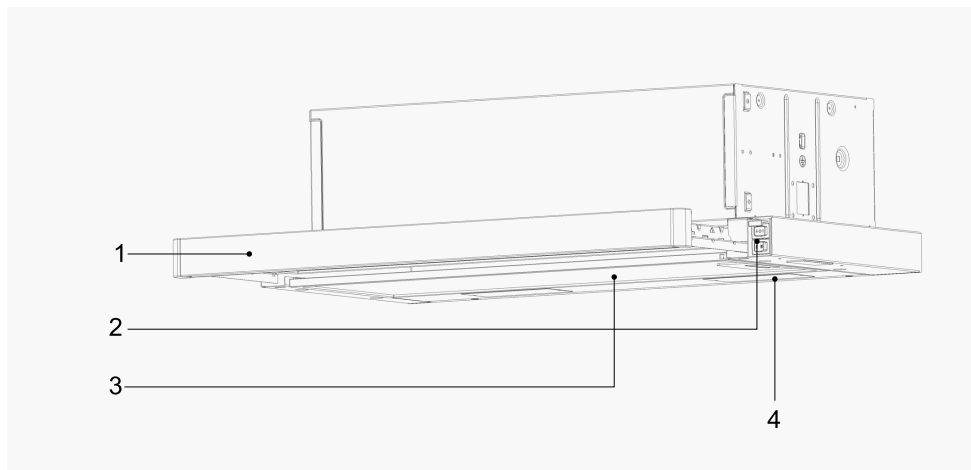


A termék csomagolóanyagait újrahasznosítható anyagokból gyártják, a nemzeti környezetvédelmi rendeleteinknek megfele-

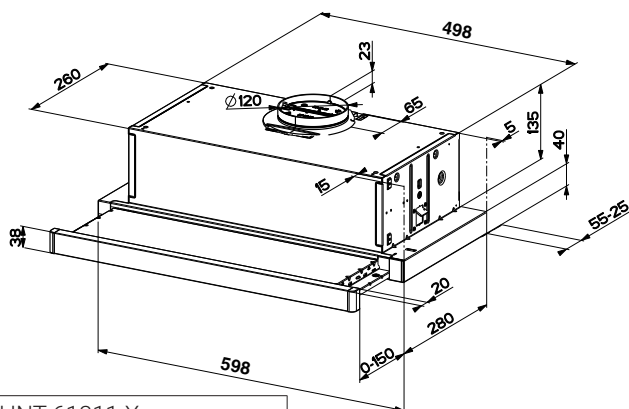
lően. A csomagolóanyagokat ne dobja el a háztartási vagy egyéb hulladékok közé. TVigye őket a helyi hatóságok által kijelölt csomagolóanyag-gyűjtő helyekre.

## 2 Általános megjelenés

### 2.1 Áttekintés



1. Csúszó panel
2. Kezelőpanel
3. Zsírszűrő
4. Főzőlap világítás

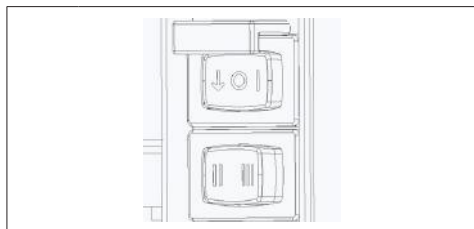


### 2.2 Technical data

<b>Modell</b>	HNT 61311 X HNT 61311 XH HNT 61310 BH HNT 61310 WH
<b>Tápfeszültség</b>	220-240V ~ 50 Hz
<b>Lámpa teljesítménye</b>	2 x 4 W
<b>Motor teljesítménye</b>	115 W
<b>Áramlási sebesség – 3. Szint</b>	300 m <sup>3</sup> /h
<b>Motor szigetelési osztály</b>	F osztály
<b>Szigetelési osztály</b>	II osztály

## 3 A készülék működése

### 3.1 A készülék vezérlése



↓	Aktiválja a 2. és 3. sebességszintet.
I	Nyomja meg az „I” gombot, hogy az 1. sebességfokozaton működjön.
O	Ha a „O” állásba fordítja, a készülék kikapcsol. Ugyanakkor a készülék kikapcsol, ha a csúszópanel le van zárva.
II	Nyomja meg a „II” gombot, hogy a 2. sebességfokozaton működjön.
III	Nyomja meg a „III” gombot, hogy a 3. sebességfokozatban működjön.

### 3.2 A páraelszívó használata

- A páraelszívó egy olyan motorral van felszerelve, amely különböző sebességbeállításokkal rendelkezik.
- A jobb teljesítmény érdekében azt javasoljuk, hogy normál körülmények között használja az alacsony sebességet, intenzívebb szagok és gőzök esetén pedig a magasabb sebességet.
- A páraelszívót elindíthatja a kívánt sebesség kapcsolójának megnyomásával (I, II, III).
- A tolópanel kinyitásakor a lámpa világít, a csúszka bezárásakor a lámpa kialszik.

### 3.3 Energiatakarékos használat

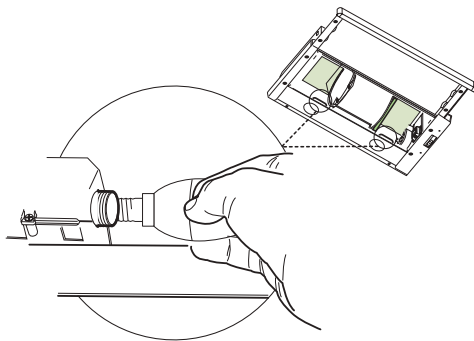
- A páraelszívó használatakor a szagok és gőzök intenzitásának megfelelően válassza ki a sebességet, így megakadályozhatja a szükségtelen áramfo-


gyasztást.

- Normál körülmények között használja az alacsony sebességeket (I-II), ha a szagok és a gőzök intenzívebbek, akkor a magasabb sebességet (III).
- A páraelszívón található lámpák feladata a főzőzónák megvilágítása.
- Amennyiben ezeket használja a környezet/konyha megvilágítására, az szükségtelen áramfogyasztást és elégtelen megvilágítást eredményez.

### 3.4 Lámpák cseréje

Távolítsa el az alumínium szűrőt. Távolítsa el a hibás izzót, és cserélje ki egy azzal megegyező teljesítményű izzóra.



Izzó	
Izzó teljesítmény	4 W
Tartó / Aljzat	E14
Izzófeszültség	220 - 240 V
Méret	35x100 mm
ILCOS kód	DRBB/F-4-220-240-E14-35/100
Fényáram	400 ml

## 3 A készülék működése

**Kapcsolódó  
színhőmérséklet**

3000 K

Ez a termék "F" energiahatékonysági osztályú fényforrást tartalmaz.

- Ebben a termékben gyertya típusú led lámpát használnak.
- Lámpacserénél max. 4 W-os lámpát kell használni.



- Az izzó cseréje előtt válassza le a páraelszívót az elektromos hálózatról.
- Ne érintse meg az izzókat, ha azok forrók.
- Ügyeljen arra, hogy a csere izzókat ne érintse meg közvetlenül a kezével.

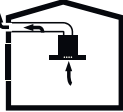


Az izzókat a hivatalos szerviztől szerezheti be.


latos, amikor nincs lehetőség kürtőbe történő csatlakoztatásra.

- Kürtő nélküli használat esetén távolítsa el a kürtőadapterben található terelőlapokat.
- Távolítsa el a zsírszűrőt. A szénszűrő behelyezéséhez illessze a szűrőt a fűlekbe úgy, hogy a ventilátor burkolatának két oldalán található műanyag darabokra központosítja. Rögzítse úgy, hogy balra vagy jobbra elforgatja.
- Cserélje ki a zsírszűrőt.

### 3.5 Üzemeltetés kürtőcsatlakozással

-  A gőzök a kürtőn keresztül kerülnek eltávolításra, amely a páraelszívó csatlakozófejéhez van rögzítve.
- A kürtő átmérőjének ugyanakkorának kell lennie, mint a csatlakozógyűrű. Vízszintes elhelyezés esetén a csövet egy kis lejtéssel kell beszerezni (kb. 10°), hogy a levegő könnyen távozhasson a helyiségből.

### 3.6 Üzemeltetés kürtőcsatlakozás nélkül

-  A levegőt a szénszűrő megszűri, majd visszavezeti a helyiségbe. A szénszűrő akkor haszná-

## 4 Tisztítás és karbantartás



A tisztítás és karbantartás előtt húzza ki a berendezést vagy kapcsolja ki a főkapcsolót, vagy kapcsolja le a biztosítékot, amely a páraelszívót biztosítja.

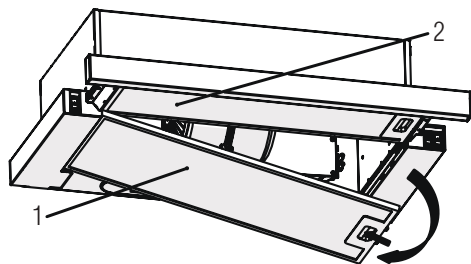


A készülék tisztítására és a szűrők cseréjére vonatkozó rendelkezések be nem tartása tűzvesélyt okozhat. Ezért ajánlott betartani az itt leírtakat. A gyártó nem vállal felelősséget a nem megfelelő használatból eredő motormeghibásodásokért vagy esetleges tüzért.

Csak semleges folyékony mosószerrel megnedvesített ruhával tisztítsa. Ne tisztítsa szerszámokkal vagy egyéb eszközökkel. Kerülje a súrolószerek használatát! Ne használjon alokolt.

### 4.1 A zsírszűrő tisztítása

A szűrő felfogja a levegőben lévő olajrézecskeket. Az alumínium szűrők elszíneződhetnek mosás közben; ez normális, ezért nem kell kicserélnie a szűrőt.



1. Külső zsírszűrő

2. Belső zsírszűrő

- Húzza ki a csúszólapot az elülső panel-

nél fogva. Először távolítsa el a külső zsírszűrőt, majd a belső zsírszűrőt.

- Nyomja meg az alumínium szűrő rögzítését előre.
- Majd kissé engedje le és húzza előre. Ellenkező esetben a szűrő elgörbülhet. Azt követően, hogy az alumínium szűrőt kimosta és megszáritotta, helyezze vissza a nyílásba a fenti lépések fordított sorrendjében. A szűrő felfogja a levegőben lévő olajrézecskeket.



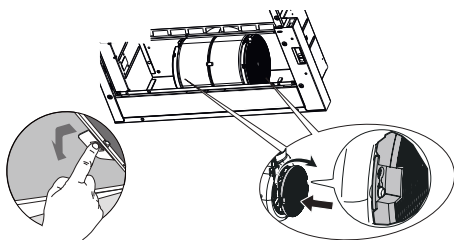
Az alumínium szűrőket mosogatógépben is moshatja.



**VIGYÁZAT:** Javasoljuk, hogy normál használat mellett havonta tisztítsa meg a szűrőt.

### 4.2 Szénszűrő cseréje

A szagmentesítő szűrők szén-tartalmaznak (aktív-szén). Függetlenül attól, hogy használ-e szénszűrőket vagy sem, az alumínium szűrőket minden esetben be kell helyezni.



- Távolítsa el az alumínium szűrőket.
- A szénszűrő eltávolításához forgassa el a füleket az óramutató járásával elmentélesen és oldja ki a szűrőt.
- Helyezze be az új szénszűrőt.
- Helyezze be az alumíniumszűrőket.

## 4 Tisztítás és karbantartás



### VIGYÁZAT

- A szénzsűrőt soha nem szabad kimosni.
- Cserélje ki a szénzsűrőket 3 havonta egyszer.
- A szénzsűrőt a hivatalos szerviztől szerezheti be.

## 5 Készülék telepítése



**FIGYELEM:** A telepítés megkezdése előtt olvassa el a felhasználói kézikönyvben található biztonsági információkat.



**FIGYELEM:** Ha a csavarokat és a stabilizátorokat nem az előírásoknak megfelelően szereli fel, fennáll az áramütés veszélye.



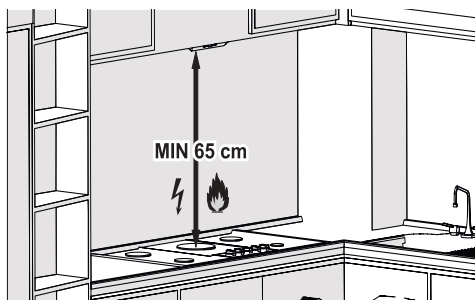
Lapozza fel a 133. oldalt a telepítési útmutatóban

A páraelszívó telepítéséhez keresse fel a legközelebbi hivatalos szervizt.

A telepítés helyének előkészítése, illetve az elektromos csatlakozás kiépítése az ügyfél felelőssége.

### 5.1 A berendezés pozíciója

- A páraelszívó és a főzőlap közötti távolságot a felszerelés előtt fel kell mérni. A távolságnak 65 cm-nek kell lennie.
- A távolságot a gáz főzőlap edénytartójától, illetve az elektromos főzőlap felületétől kell mérni.



### 5.2 A berendezés üzembe helyezése



**FIGYELEM:** Használjon védőkesztyűt és védőszemüveget, amennyiben fűrnia vagy vágnia kell.

### 5.3 Tárolás

- Ha hosszabb ideig nem használja a készüléket, körültekintően tárolja.
- Győződjön meg róla, hogy a készülék ki van húzva, lehűlt és teljesen száraz.
- A berendezést hűvös, száraz helyen tartsa.
- A berendezést tartsa távol a gyermekektől

## 5 Készülék telepítése

### 5.4 Kezelés és szállítás

- A kezelés és szállítás során, az eredeti csomagolásban mozgassa a berendezést. A termék csomagolása véd a fizikai behatások, sérülések ellen.
- Ne helyezzen nehéz tárgyakat a berendezésre vagy a csomagolásra. A berendezés sérülhet.
- Ha a berendezést leejti, előfordulhat, hogy nem működik vagy károsodik.

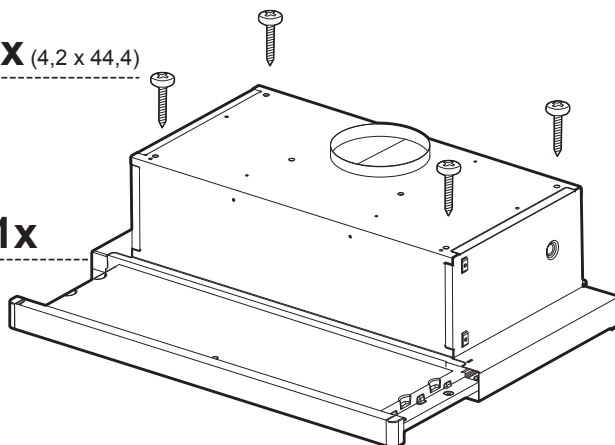
## 6 Hibaelhárítás

Hibaelhárítás	Ok	Megoldás
A berendezés nem működik.	Ellenőrizze a biztosítékot.	Lehet, hogy a biztosíték le van kapcsolva, hozza működésbe.
A berendezés nem működik.	Ellenőrizze az elektromos csatlakozást.	A hálózati feszültségnek 220–240 V között kell lennie.
A berendezés nem működik.	Ellenőrizze az elektromos csatlakozást.	Ellenőrizze, hogy a konyhában lévő többi termék működik-e vagy sem.
A lámpa nem működik.	Ellenőrizze az elektromos csatlakozást.	A hálózati feszültségnek 220–240 V között kell lennie.
A lámpa nem működik.	Ellenőrizze a lámpa kapcsolót.	A lámpa kapcsolójának "be" állásban kell lennie.
A lámpa nem működik.	Ellenőrizze a lámpákat.	A termék lámpáinak nem szabad hibásnak lennie.
A termék légszívása rossz.	Ellenőrizze az alumínium szűrőt.	Az alumínium olaj szűrőt normál használat mellett legalább havonta egyszer tisztítani kell.
A termék légszívása rossz.	Ellenőrizze a levegő kivezető kürtőt.	A kürtőnek "be" helyzetben kell lennie.
A termék légszívása rossz.	Ellenőrizze a széniszűrőt.	Széniszűrővel rendelkező termékek esetében a szűrőt általában háromhavonta cserélni kell.

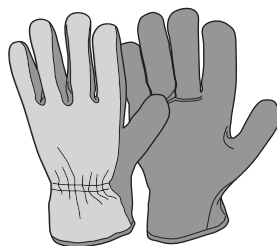


**4x** (4,2 x 44,4)

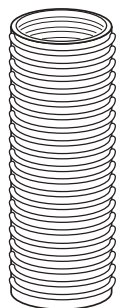
**1x**



**OK!**



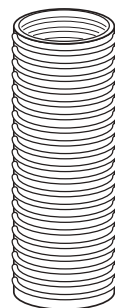
**2x**



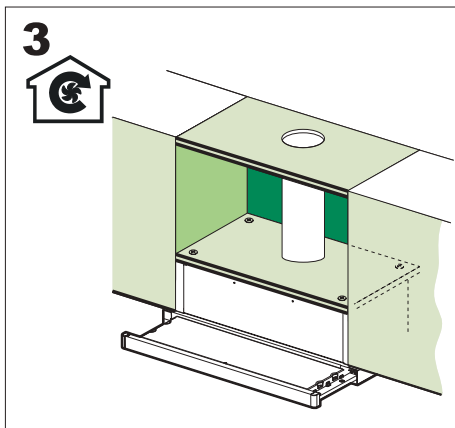
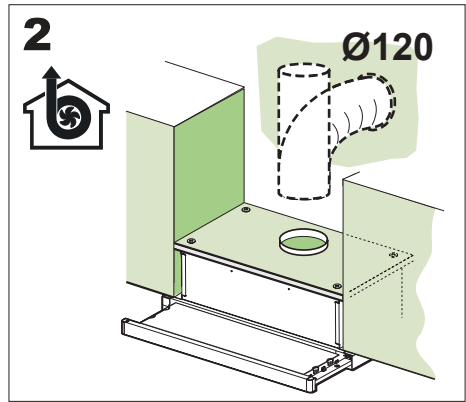
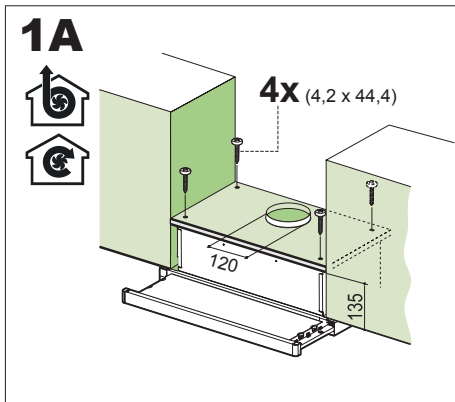
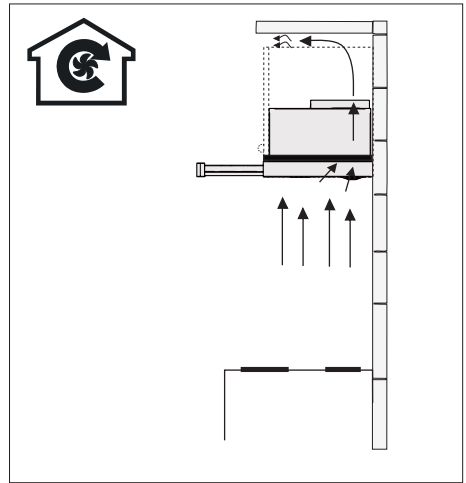
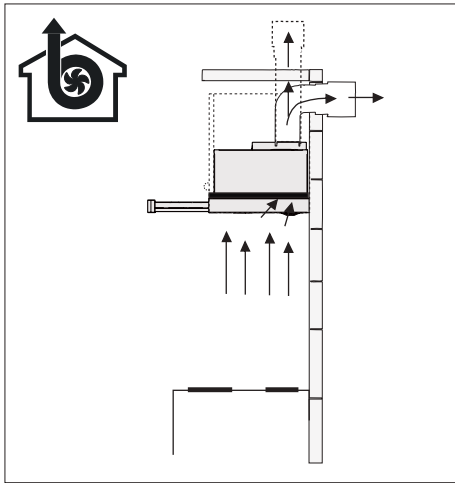
**Ø 120 mm**



**2x**



**Ø 120 mm**





Arçelik A.Ş.  
Karaağaç Caddesi No: 2-6, 34445,  
Sütlüce, İstanbul, Türkiye

[www.beko.com](http://www.beko.com)