

TKRL 650 IX

12NC: 859991636110

GTIN (EAN) code: 8003437625404

Whirlpool

SENSING THE DIFFERENCE



Whirlpool gas hob: 4 gas burners - TKRL 650 IX

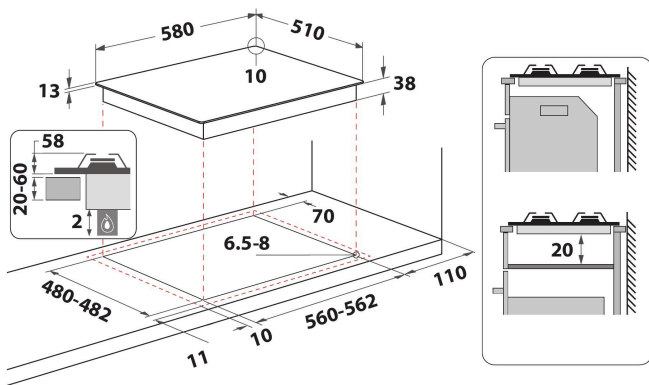
Standard Whirlpool technologies and features for you to enjoy.

MultiLevel Flame

9 flame levels for different cooking methods. Always get the ideal flame for your cooking methods, to achieve perfect cooking results effortlessly.

Front Controls

Complete control over your cooking. Easily accessible and genuinely intuitive, the controls are conveniently positioned on the front panel of your hob, providing a frictionless cooking experience.



- Electromagnetic safety device for each burner
- Silver painted body/Inox cap knobs
- 2 Rectangular (kitchen design) Enameled sheet metal grids
- Front controls
- Mechanical control
- 4 Burners
- 4 burners: 1 Auxiliary 1650 W burner, 1 Rapid 3000 W burner, 1 Rapid 1650 W burner, and 1 Semirapid 1000 W burner.
- Supply cord included
- Dimensions HxWxD: 33x550x510 mm
- Voltage: 220-240 V
- Gas Connection Rating: 7300 W
- Gas Type: Methane
- Front left zone: 75 mm \varnothing , Auxiliary 1650 W
- Rear left zone: 100 mm \varnothing , Rapid 3000 W

TKRL 650 IX

12NC: 859991636110

GTIN (EAN) code: 8003437625404

Whirlpool

SENSING THE DIFFERENCE

MAIN FEATURES

Product group	Hob
Construction type	Built-in
Type of control	Mechanical
Type of control settings	Knob
Number of gas burners	4
Number of electric cooking zones	0
Number of electric plates	0
Number of radiant plates	0
Number of halogen plates	0
Number of induction plates	0
Number of electric warming zones	0
Location of control panel	Front
Basic surface material	Stainless Steel
Main colour of product	Inox
Electrical connection rating (W)	0
Gas connection rating (W)	7300
Gas type	Methane
Current (A)	0,6
Voltage (V)	220-240
Frequency (Hz)	50/60
Length of Electrical Supply Cord (cm)	100
Plug type	No
Gas connection	N/A
Width of the product	550
Height of the product	33
Depth of the product	510
Minimum niche height	0
Minimum niche width	555
Niche depth	475
Net weight (kg)	8.3
Automatic programmes	No

TECHNICAL FEATURES

Power on indicator	No
Number of indicators	0
Type of regulation	Stepless energy regulated
Type of lid	Glass
Residual heat indicator	Without
Main on/off switch	No
Safety device	No
Timer	No

PERFORMANCES

Energy input	Gas
--------------	-----