

HEAT PUMP DRYER

Model:

HHPD-M8K3SA++



- Heat pump dryer
- Loading capacity: 8 kg
- Energy class: A++

HEINNER

1. INTRODUCTION

Please read the instructions carefully and keep the manual for future information.

This manual is designed to give all necessary instructions concerning installation, use and maintenance of the unit. In order to operate the unit correctly and safely, please read this instruction manual carefully before installation and use.

2. CONTENT OF YOUR PACKAGE

- ➔ **Heat pump dryer**
- ➔ **User manual**
- ➔ **Warranty certificate**

3. CONTENT OF YOUR PACKAGE

GENERAL

This heat pump dryer is intended for drying typical amounts of household laundry, which have been washed with water. It has been designed solely for private use and is not suitable for commercial or shared use (i.e. by several families in an apartment building).

- Use this appliance only as described in this user manual.
- This appliance is for indoor use only.
- Any other use is deemed improper and may result in damage to property or even personal injury.
- The manufacturer accepts no liability for damage caused by improper use.

The appliance corresponds to protection class I and may only be connected to a plug with a protective conductor that has been installed properly.

When connecting the appliance to the mains, make sure that the mains voltage is correct.

You can find more information about this on the rating plate.

Electric shock hazard

- Before connecting the tumble dryer, ensure that the connection parameter on the rating plate (fuse rating, voltage and frequency) match the mains electricity supply. If in any doubt, consult a qualified electrician.
- The electrical safety of this tumble dryer can only be guaranteed when correctly earthed. It is essential that this standard safety requirement is met. If in any doubt, please have the household wiring system tested by a qualified electrician. The manufacturer cannot be held liable for the consequences of an inadequate earthing system (e.g. electric shock).
- Do not pull the power cord forcefully. Please grasp the mains plug instead.
- Do not plug/draw the mains plug with wet hands.

- Do not bend, clamp, or damage the power cord and the power plug.
- If the power cable is damaged, it must be replaced by the manufacturer, its service agent, or similarly qualified persons in order to avoid a hazard.

Warning: The appliance must not be supplied through an external switching device, such as a timer, or connected to a circuit that is regularly switched on and off by a utility.

- Do not connect the appliance to the mains electricity supply by an extension lead, multi-socket adapter or similar.
- The accessibility of the plug must always be ensured, to disconnect the tumble dryer from the mains.
- If the appliance appears high temperature abnormally, please draw the mail plug immediately.

Injury danger

The appliance must not be installed behind a lockable door, a sliding door or a door with a hinge on the opposite side to that of the tumble dryer, in such a way that a full opening of the tumble dryer door is restricted.

- Do not disassemble or install the dryer without any instruction or supervision.
- Do not stack this dryer on washing machine without stacking kits. If you want to stack this dryer on a washing machine, please purchase the independent parts. Installation shall be done by the manufacturer, its service agent or similarly qualified persons to avoid any hazards.
- Do not lean on the opened door of the dryer.
- Condensed water is not drinking water. It can cause health problems in both people and animals if consumed.

Damage danger

Do not put more load than rated in this user manual.

- Do not operate the dryer without the door filter.
- Do not dry the clothes before being spun.
- Do not expose the dryer directly under the sun.
- Do not install the dryer in humid and drenching environment.
- While cleaning and maintenance, please do remember to pull out the power plug and do not directly spray the dryer with water.
- The appliance should not be overturned during normal use or maintenance.

Explosion & Fire danger

Please do not dry clothes with any flammable substances such as kerosene or alcohol. Otherwise, there may be an explosion.

- The appliance contains an environmentally friendly but flammable R290 refrigerant. Keep away from open flame and other sources of ignition.
- The tumble dryer is not to be used if industrial chemicals have been used for cleaning.
- Do not dry unwashed items in the tumble dryer.

- Items that have been soiled with substances such as cooking oil, acetone, alcohol, petrol, kerosene, spot removers, turpentine, waxes and wax removers should be washed in hot water with an extra amount of detergent before being dried in the tumble dryer.
- Items such as foam rubber (latex foam), shower caps, waterproof textiles, rubber backed articles and clothes or pillows fitted with foam rubber pads should not be dried in the tumble dryer.
- Fabric softeners, or similar products, should be used as specified by the fabric softener instructions.
- Oil-affected items can ignite spontaneously, especially when exposed to heat sources such as in a tumble dryer. The items become warm, causing an oxidation reaction in the oil. Oxidation creates heat. If the heat cannot escape, the items can become hot enough to catch fire. Piling, stacking or storing oil-affected items can prevent heat from escaping and so create a fire hazard.
- Remove all objects from pockets such as lighters and matches.
- If it is unavoidable that fabrics that contain vegetable or cooking oil or have been contaminated by hair care products be placed in a tumble dryer, they should first be washed in hot water with extra detergent. This will reduce, but not eliminate, the hazard.

WARNING:

- Never stop a tumble dryer before the end of the drying cycle unless all items are quickly removed and spread out so that the heat is dissipated.
- Openings must not be obstructed.
- The lint trap has to be cleaned frequently.
- Lint must not to be allowed to accumulate around the tumble dryer.

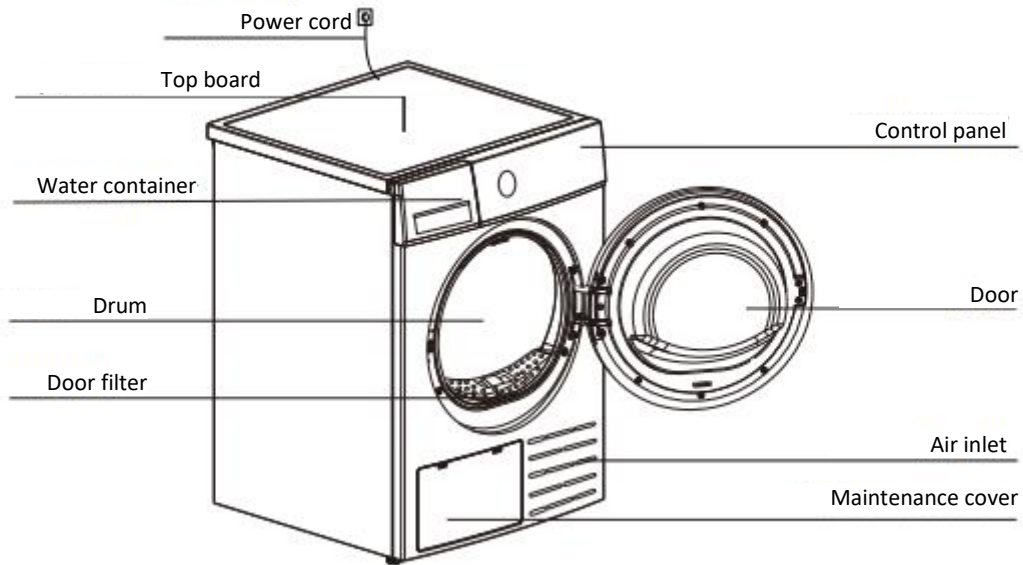
Safety with children

- This appliance can be used by children aged from 8 years and above and persons with reduced physical, sensory, or mental capabilities or lack of experience and knowledge if they have been given supervision or instruction concerning use of the appliance in a safe way and understand the hazards involved. Children shall not play with the appliance. Cleaning and user maintenance shall not be done by children without supervision.
- Children should be supervised to ensure that they do not play with the appliance.
- Children of less than 3 years should be kept away unless continuously supervised.
- Always close the door after use.

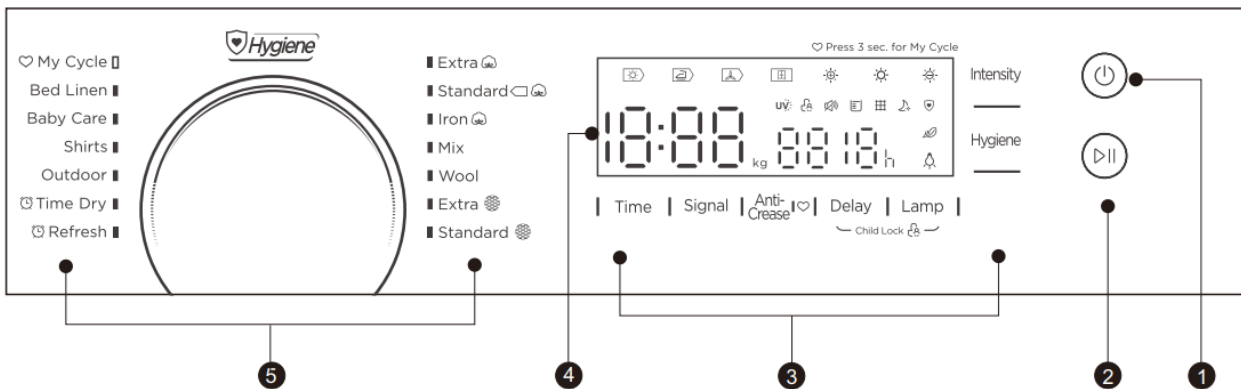
In this way you will avoid the danger of:

1. Children climbing onto or into the dryer or hiding things in it.
2. Pets or other small animals climbing into it.

4. PRODUCT DESCRIPTION



5. CONTROL PANEL

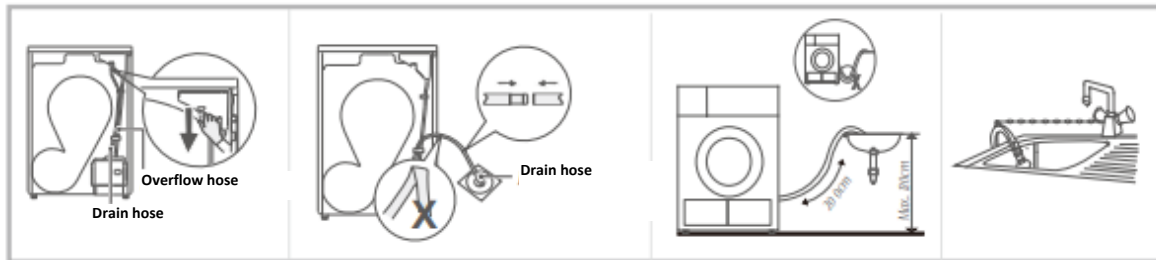


- 1. Power**
 Product is on/off.
- 2. Start/Pause**
 Press the button to start or pause the drying cycle.
- 3. Option**
 These buttons are used for setting additional functions.
- 4. Display**
 The display shows the setting, estimated program time remaining and status messages of your dryer.

5. Programs

Different drying cycles can be selected according to the users need and the type of laundry to be dried.

6. INSTALLATION



- Pull out the upper drain hose
- Put the external drain hose into the floor drain
- Put the hose holder in the washing basin or any other sink

Transport

- Move cautiously.
- Do not grasp any salient parts of machine.
- The machine door cannot be used as the handle for transport. If the dryer can't be transported erectly, the dryer can be tilted to right less than 30°. Risk of injury and damage! Improper handling of the appliance may result in injury.
- The appliance is very heavy. Never transport or carry the appliance alone; always with the assistance of another person.
- Remove all obstacles on the transport route and from the installation location, e.g. open doors and clear away objects lying on the floor.
- Do not use the open door as a handhold.
- Remove all package material before using the appliance.
- Before setting up the tumble dryer, check it for any externally visible damage. Do not install or use a damaged tumble dryer.
- Do not install the tumble dryer in a room where there is a risk of frost occurring. At temperatures around freezing point the tumble dryer may not be able to operate properly.
- There is a risk of damage if the condensed water is allowed to freeze in the pump and hoses.

Installation Position

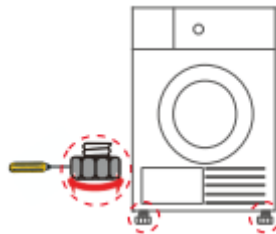
- Children can become entangled in the packaging film or swallow small parts and suffocate. Do not allow children to play with the packaging.
- The appliance must not be installed behind a lockable door, a sliding door or a door with a hinge on the opposite side to that of the tumble dryer, in such a way that a full opening of the tumble dryer door is restricted.

- Do not restrict the floor clearance through deep pile carpets, strips of wood or similar. This might cause heat built-up which would interfere with the operation of the appliance.
1. It is recommended that, for your convenience, the machine is positioned close to your washing machine.
 2. Do not stack this dryer on washing machine without stacking kits. (If you want to stack this dryer on a washing machine, please purchase the independent parts. Installation shall be done by the manufacturer, its service agent, or similarly qualified persons to avoid any hazards.)
 3. The tumble dryer must be installed in a clean place, where dirt does not accumulate. Air must be able to circulate freely around the appliance. Do not obstruct the front air inlet or the air intake grilles at the back of the machine.
 4. To keep vibration and noise within minimum level when the dryer is in use, it must be placed on a firm and level surface.
 5. The feet must never be removed.



Level Adjusting

Once in its permanent operating position, check that the dryer is absolutely level with the aid of a spirit level. If it is not, adjust the feet by hand or using a tool.



Power Supply Connection

1. Make sure that the voltage of the power supply is the same as the electric specification.
2. Do not connect the dryer with the power connection board, a universal plug or socket, do not use multi-plug adapters and extension cables.

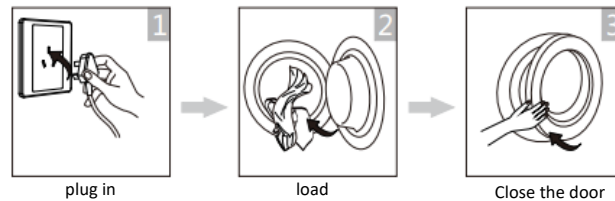
- Leave it to stand for 2 hours after transporting. Before first use, please use the soft fabric to clean the inside drum.

1. Put some clean rags into the drum.
 2. Plug the power, press [On/Off].
 3. Select the [Refresh] Programme, press [Start/Pause] button.
 4. After finishing this programme, please follow the “cleaning and care” to clean the door filter.
- During drying, the compressor and the water will generate some noise which is entirely normal

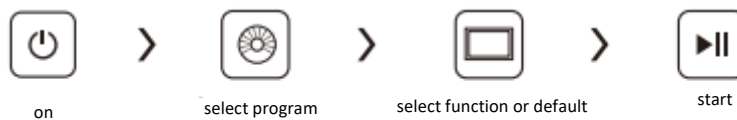
7. OPERATION

Before using, make sure the tumble dryer is installed correctly.

Before drying.

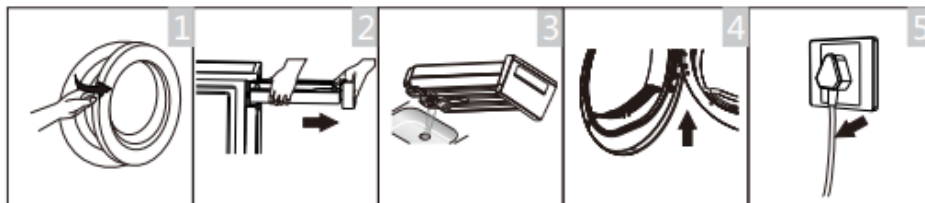


Drying



After Drying

Buzzer beep and "End" on display.














- Open the door and take out laundry.
- Pull out the container.
- Pour out condensate water.
- Clean the filter.
- Power off.

Before Each Drying

1. Before drying, thoroughly spin the laundry in washing machine. High spin speed shortens the drying time and saves energy.
2. For uniform drying result, sort the laundry according to fabric type and select the appropriate drying programme.
3. Before drying, please close zips, hooks and eyelets, button, tie fabric belts, etc.
4. Remove all objects from pockets such as lighters and matches.
5. Sew in or remove underwiring from bras.
6. Close duvet covers and pillowcases to prevent small items from being rolled up inside them.
7. Leave jackets open and undo any long zips so that textiles dry evenly.
8. Do not over dry the clothes, because over dried clothes can easily get creases.
9. Do not dry the articles containing rubber or similar elastic materials.
10. Keep the area around the tumble dryer clean. Coal dust or flour may cause an explosion.

11. The door shall be opened only after the programme of the tumble dryer is finished to avoid being scalded by hot steam or over heated drying machine.
12. Clean the lint filter and empty water container after each use to avoid extension of drying time and increase of energy consumption.
13. Do not dry clothes after dry-clean process

The reference weight of dry clothes (weight per item)

 Sweater (mixed 800g)	 Jacket (cotton 800g)	 Jeans (800g)	 Bath towel (cotton 900g)
 Single bedsheet (cotton 600g)	 Work clothes (1120g)	 Pajamas (200g)	 Shirt (cotton 300g)
 T-Shirt (cotton 180g)	 Underwear (cotton 70g)	 Socks (mixed weave 50g)	

- Do not put more load than rated.
- Do not dry dripping wet laundry. The dryer might get damaged.
- Only dry laundry suitable for tumble drying.

Regard the laundry care labels:



Suitable for tumble drying.



Normal drying process: Drying in the tumbler is possible under normal load and temperature 80°C.



Mild drying process: Caution is appropriate when tumble drying. Select mild process with reduced thermal action.



Do not tumble dry: Articles unsuitable for drying in the tumbler

Functions



Delay

This function is used for delaying the start of the drying program by up to 12 hours.

When the delayed programme starts, the time starts to countdown on the display and the delay icon blinks.

1. Load your laundry and make sure the machine door is closed.
2. Press the [On/Off] button, then use the programme selector knob to select the desired programme. 3. You can additionally select the [Anti-Crease] or [Intensity] functions according to your need.
4. Press the [Delay] button.
5. Repeatedly to press the [Delay] button to select the desired delay time.
6. After the [Start/Pause] button is pressed, the Dryer is at the running condition. The drying procedure will be automatically performed when the delay time is over.
7. If you press the [Start/Pause] button again, the delay function will be paused.
8. If you want to cancel the "Delay" function, please press the [On/Off] button.



Time

When the [Time] programme is selected, the [Time] button can be used to adjust the drying time in 10 min. steps.



Intensity

You can adjust the dryness level of the laundry by pressing the [Intensity] button.

- 1.The intensity function can be activated only before the programme starts.
- 2.Press the [Intensity] button repeatedly to increase the drying grade.
- 3.Except the [Cotton Iron], [Wool], [Time] programme, all the other programmes can be adjusted with the [Intensity] function.



Anti-Crease

At the end of the drying cycle, the anti-crease time is 60 minutes (default) ,30minutes or 90minutes(selected).

This function prevents the laundry from creases. The laundry can be removed during the anti-crease phase. Except [Wool] and [Refresh], all the other programmes have this function.



Lamp

The drum light will be on for 3 minutes when the button is pressed or 1 minute when the door is open.



Signal

Set the buzzer on or off. In default condition, the buzzer is on.

When the buzzer is on:

- 1.The dryer will affirm pressed function button by a sound.
- 2.If the programme knob is rotated during the dryer is running, the buzzer will remind the user that this is an invalid operation.
- 3.When the drying programme is done, the buzzer will beep



Hygiene

After selecting the program, you can choose the "Hygiene" function according to your needs.

Press [Hygiene] to select this function. Press it again to cancel. After selecting the "Hygiene" function, the clothes are sterilized during the drying process, making the clothes cleaner and safer. Use this function with caution for light, thin or delicate laundry.



Child Lock

- 1.This machine incorporates a special child safety lock, which can prevent children from carelessly pressing buttons or making the faulty operation.
- 2.When the drying cycle is running, press the [Delay] and [Lamp] buttons at the same time for 3 seconds to start child lock function.
- 3.When child lock function is set, the display will show Child lock icon and all buttons are deactivated, except[On/Off] button.
- 4.To deactivate the child lock function, the [Delay] and [Lamp] buttons shall be pressed at the same time for 3 seconds

Programs

Program		Max Load	Application/Properties	Delay	Time
Cotton	Extra	8 kg	For single or multi-layer cotton laundry to be dried completely for direct storage	Y	N
	Standard				
	Iron		For single layer cotton laundry to remain damp for ironing		
Mix		3.5 kg	For mixed fabrics from cotton and synthetics	Y	N
Synthetics	Extra	3.5 kg	For thick or multi-layer synthetic fabrics to be dried completely.	Y	N
	Standard		To dry thin synthetic textiles, which are not ironed, such as easy care shirts, baby cloths or socks.		
Wool		1 kg	Gentle drying for machine washable wool items. The final moisture content will depend on the load size and the moisture content after spinning	Y	N
My Cycle		-	Define and save your favourite programme	Y	-
Bed Linen		4 kg	To dry bed linen, bed sheets or other large items.	Y	N
Baby Care		1 kg	To dry small amount of baby clothing	Y	N
Shirts		1 kg	For easy care laundry, such as shirts and blouses equipped with anti-crease functionality to minimize the ironing effort. Place clothes loosely in the dryer. Once dried, remove quickly and hang it on a clothes hanger	Y	N
Outdoor		3 kg	To dry sportswear and thin fabrics from polyester, which are	Y	N
Time	Time Dry	3 kg	To dry individual items or complete the drying process of multi-layer fabrics with different drying behaviour, such as jackets, pillows or voluminous items. Min 10 min. to max. 150 min. (in 10 min. steps)	Y	Y
	Refresh	1 kg	To refresh clothes or to remove odours. Min. 20 min to max. 220 min. (in 10 min. steps)		

Program		Max Load	Spin Speed/Residual Humidity	Drying time (min)
Cotton	Extra	8 kg	1000rpm / 60%	190
	Standard		1000rpm / 60%	140
	Iron		1000rpm / 60%	120
Mix		3.5 kg	1000rpm / 60%	110
Synthetics	Extra	3.5 kg	800rpm / 40%	100
	Standard		800rpm / 40%	90
Wool		1 kg	/	25
My Cycle		-	/	140
Bed Linen		4 kg	1000rpm / 60%	170
Baby Care		1 kg	1000rpm / 60%	85
Shirts		1 kg	1000rpm / 60%	80
Outdoor		3 kg	1000rpm / 60%	100
Time	Time Dry	3 kg	/	10
	Refresh	1 kg	/	20

Program selector

1. When the LED display screen brightens up, rotate the programme knob to select the desired program.
2. Select the [Time], [Signal], [Anti - Crease], [Delay], [Lamp], [Hygiene] or [Intensity] functions for additional options.
3. Press the [Start/Pause] button.
4. Press the [On/Off] button after the programme has completed.

Programme start

The drum will rotate after the programme starts. The cycle phase LED in the display will light up and the remaining programme time will be displayed.

Program end

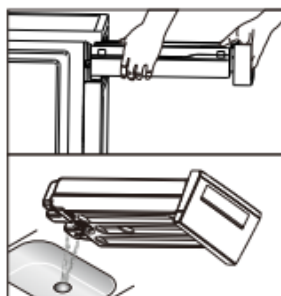
1. The drum will stop rotating after the programme ends. The display will show "0:00" and related LED will illuminate. The dryer will start [Anti-Crease] function if user doesn't remove the load. After the load is removed, press [On/Off] to switch off if the display is on. Drying is complete, please unplug.
2. Deal with the problems according to "Trouble Shooting" section, if there is an unexpected stop during the drying procedure or the dryer shows an Error Code

8. MAINTENANCE

Cleaning and Care

Empty the water container.

1. Pull out and hold the water container with two hands.
2. Tilt the water container, pour out the condensate water into the basin.
3. Install the water container.

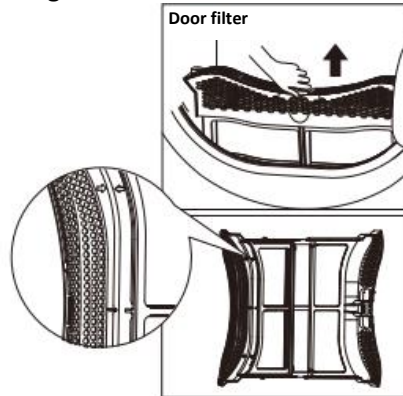


- Empty the water container after each use. Once the water container is filled completely, the programme will be paused and the "Full" will light on the display. After the container is emptied, the dryer can be restarted by pressing [Start/Pause] button.
- Do not drink the condensate water.
- Do not use the dryer without the water container.

Clean the filters

This dryer has a primary door lint filter. Make sure you clean the door filter after each cycle.

- To ensure the double-layer filter can be closed smoothly, the arrows at both ends need to be aligned, and the middle slot and the rib need to be aligned.

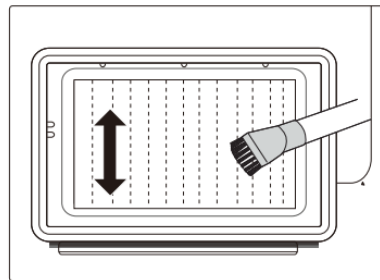


Clean the door filter.

1. Open the door.
2. Take out the door filter.
3. Open the filter and remove the fluff on the filter screen. You can clean it in running water.
4. Dry the door filter thoroughly before installing it back.

Clean the heat exchanger.

- Do not touch the heat exchanger with your hand, which may cause an injury
- As necessary, approx. once every 3 months, remove the fluff from the heat exchanger using a vacuum cleaner with a dusting brush attached.
- Clean the heat exchanger without applying any pressure. Otherwise, the heat exchanger could be damaged. The dryer will not dry if the cooling fins are damaged or bent.




Clean Tumble dryer



- Disconnect the power cord before cleaning!
- Clean the dryer with a wet cloth which is only damped by clean water.
- Do not use solvents, abrasive cleaners, glass cleaners or all-purpose cleaners. These could damage plastic surfaces and other parts.
- Please wear gloves when cleaning.
- Prepare a wet cloth damped by clean water.
- Clean the door, especially the inside window.
- Clean the sealing around the door opening.
- Clean the humidity sensor inside the drum.
- Take out all the filters, clean the sealing and air flow openings.
- Before starting the dryer, dry all parts with a soft cloth.

9. TROUBLESHOOTING

Many malfunctions and faults that might occur in daily operation can be easily remedied. Time and money will be saved because a service call won't be needed. The following guide may help you to find the reason for a malfunction and correct it.

Display	Reason	Solutions
E32	Humidity sensor error	Pull out the plug from the socket Please contact your service centre if the local problem occurs.
E33	Temperature sensor error	
E82	PCB communication error	
	Water pump failure or water level sensor failure	Empty container
	Container is full	

- Only authorised technicians can carry out repairs.
- If the LED displays other prompt and the dryer does not work, pull out the plug from the socket, please call the service.

Problem	Solution
Display is not on	<ul style="list-style-type: none"> • Check if the mains plug is inserted. • Check if the power supply works • Check the selected programme. • Press the [On/Off] button.
 is lighting	<ul style="list-style-type: none"> • Check the water container. If it's full, please pour out the condensate water and restart the dryer. • If the container is not full, please restart the dryer directly. • If the "full" icon is still lighting after you have finished the first two steps, please call the service.
 is lighting	<ul style="list-style-type: none"> • Clean the lint filter
Dryer does not start	<ul style="list-style-type: none"> • Connect the tumble dryer to the mains • Turn on the tumble dryer. • Check the door is closed. • Check the programme is set. • Press the [Start/Pause] button.
Degree of dryness was not reached or drying time too long	<ul style="list-style-type: none"> • Clean lint filter • Empty the water container. • Check the drain hose. • Check installation place is appropriate. • Keep the air inlet clean. • Use higher drying intensity level programme or time programme.
There are humming noises	<ul style="list-style-type: none"> • The compressor is operating. These noises are normal and do not indicate a fault.
The dryer switches off at the end of the programme	<ul style="list-style-type: none"> • The dryer switches off automatically for energy saving. This is not an error but a normal function.

Thank you for purchasing this product. If you need support with your product, visit our website using the links below.

Get User manuals: <https://www.heinner.ro>

Get Service information: <https://www.heinner.ro>



Environment friendly disposal

You can help protect the environment!

Please remember to respect the local regulations: hand in the non-working electrical equipment's to an appropriate waste disposal center.



HEINNER is a registered trademark of **Network One Distribution SRL**. Other brands and product names are trademarks or registered trademarks of their respective holders.

No part of the specifications may be reproduced in any form or by any means or used to make any derivative such as translation, transformation, or adaptation without permission from NETWORK ONE DISTRIBUTION.

Copyright © 2013 Network One Distribution. All rights reserved.

www.heinner.com, <http://www.nod.ro>



This product is in conformity with norms and standards of European Community



Importer: **Network One Distribution**

Marcel Iancu Street, 3-5, Bucharest, Romania

Tel: +40 21 211 18 56, www.heinner.com , www.nod.ro

USCĂTOR DE RUFEE CU POMPĂ DE CĂLDURĂ

Model:

HHPD-M8K3SA++



- Uscător de rufe cu pompă de căldură
 - Capacitate de încărcare: 8 kg
 - Clasa de eficiență energetică: A++

HEINER

1. INTRODUCERE

Vă rugăm să citiți instrucțiunile cu atenție și să păstrați manualul pentru consultări ulterioare.

Acest manual are scopul de a vă oferi toate instrucțiunile necesare cu privire la instalarea, utilizarea și întreținerea aparatului. Pentru utilizarea corectă și în siguranță a aparatului, vă rugăm să citiți cu atenție acest manual de instrucțiuni înainte de instalare și utilizare.

2. CONȚINUTUL PACHETULUI DUMNEAVOASTRĂ

- ➔ Uscător de rufe cu pompă de căldură
- ➔ Manual de utilizare
- ➔ Certificat de garanție

3. CONȚINUTUL PACHETULUI DUMNEAVOASTRĂ

GENERALITĂȚI

Acest uscător de rufe cu pompă de căldură este destinat uscării unor cantități obișnuite de rufe pentru uz casnic, care au fost spălate cu apă. Acesta a fost conceput exclusiv pentru uz privat și nu este potrivit pentru uz comercial sau în comun (de exemplu, de către mai multe familii într-un bloc de apartamente).

- Utilizați acest aparat numai în modul descris în cadrul prezentului manual.
- Acest aparat este destinat numai utilizării în interior.
- Orice altă utilizare este considerată necorespunzătoare și poate duce la daune materiale sau chiar la vătămări corporale.
- Producătorul nu își asumă nicio răspundere pentru daunele cauzate de utilizarea necorespunzătoare.

Aparatul corespunde clasei de protecție I și poate fi conectat numai la un ștecăr prevăzut cu un conductor de protecție care a fost instalat corespunzător.

Atunci când conectați aparatul la rețeaua electrică, asigurați-vă că tensiunea de rețea este corespunzătoare. Puteți găsi mai multe informații în acest sens pe plăcuța cu date tehnice.

Pericol de electrocutare

- Înainte de a conecta uscătorul de rufe la sursa de alimentare, asigurați-vă că parametrii de pe plăcuța de identificare (capacitatea siguranțelor, tensiunea și frecvența) corespund cu parametrii rețelei de alimentare cu energie electrică. Dacă aveți nelămuriri, solicitați asistență din partea unui electrician calificat.
- Siguranța electrică a acestui uscător de rufe poate fi garantată numai dacă aparatul este legat corespunzător la pământ. Este esențial ca această cerință de siguranță standard să fie respectată. Dacă aveți îndoieli, vă rugăm să solicitați verificarea instalației electrice din gospodărie de către un electrician calificat.

Producătorul nu poate fi tras la răspundere pentru consecințele unui sistem de împământare necorespunzător (de exemplu, care poate cauza șocuri electrice).

- Nu trageți cu putere de cablul de alimentare. Vă rugăm să trageți doar de ștecăr.
- Nu conectați/trageți ștecherul cu mâinile umede.
- Nu îndoțiți, nu striviți și nu deteriorați cablul de alimentare și ștecărul.
- Pentru evitarea pericolelor, în cazul în care cablul de alimentare este deteriorat, acesta trebuie înlocuit de către producător, de către agentul său de service sau de persoane cu o calificare similară.

Avertisment: Se interzice alimentarea acestui aparat prin intermediul unui dispozitiv de comutare extern (cum ar fi un temporizator) sau conectarea acestuia la un circuit electric care este pornit și oprit la intervale regulate de către furnizorul de utilități.

- Nu conectați aparatul la rețeaua electrică prin intermediul unui prelungitor, al unui adaptor cu prize multiple sau al unui dispozitiv similar.
- Trebuie asigurată în permanență accesibilitatea ștecherului, pentru a putea deconecta uscătorul de rufe de la sursa de alimentare cu energie electrică.
- În cazul în care aparatul se încălzește anormal, vă rugăm să scoateți imediat ștecărul din priză.

Pericol de accidentare

Aparatul nu trebuie instalat în spatele unei uși care poate fi blocată, al unei uși glisante sau cu balama pe partea opusă față de cea a uscătorului, astfel încât deschiderea completă a ușii uscătorului să fie împiedicată.

- Nu dezasamblați și nu instalați uscătorul fără instrucțiuni sau supraveghere.
- Nu puneți acest uscător pe mașina de spălat fără a utiliza un kit special de montaj. Dacă doriți să puneți acest uscător pe o mașină de spălat, vă rugăm să achiziționați componentele separate necesare. Pentru evitarea pericolelor, instalarea trebuie efectuată de către producător, de către agentul său de service sau de către persoane cu o calificare similară.
- Nu vă sprijiniți pe ușa deschisă a uscătorului.
- Apa de condensare nu este apă potabilă. Dacă este consumată, aceasta poate cauza probleme de sănătate atât oamenilor, cât și animalelor.

Pericol de deteriorare

Nu puneți în aparat o încărcătură mai mare decât cea indicată în prezentul manual de utilizare.

- Nu utilizați uscătorul fără filtrul de la nivelul ușii.
- Nu uscați hainele înainte de a fi stoarse prin centrifugare.
- Nu expuneți uscătorul la lumina directă a soarelui.
- Nu instalați uscătorul în medii umede.
- Înaintea efectuării operațiilor de curățare sau întreținere, nu uitați să scoateți ștecărul din priză. Nu pulverizați apă direct către uscător.
- Nu este necesară răsturnarea aparatului în timpul utilizării sau întreținerii normale.

Pericol de explozie și incendiu

Vă rugăm să nu uscați hainele care au intrat în contact cu substanțe inflamabile, cum ar fi kerosenul sau alcoolul. În caz contrar, se poate produce o explozie.

- Aparatul conține un agent frigorific R290 ecologic, dar inflamabil. Feriți produsul de surse de flacără deschisă și de alte surse de aprindere.
- Rufe nu pot fi uscate în aparat în cazul în care au fost utilizate substanțe chimice industriale pentru curățarea acestora.
- Nu utilizați uscătorul pentru articole care nu au fost spălate.
- Articolele care au fost murdărite cu substanțe cum ar fi ulei de gătit, acetonă, alcool, benzină, gaz lampant, substanțe pentru îndepărtarea petelor, terebentină, ceruri și substanțe pentru îndepărtarea cerurilor trebuie spălate în apă fierbinte cu o cantitate mai mare de detergent înainte de a fi uscate în uscător.
- Articolele cum ar fi cele din cauciuc buretos (spumă din latex), căștile de duș, materialele textile rezistente la apă, articolele și hainele cauciucate sau pernele cu umplutură din cauciuc buretos nu trebuie uscate în uscător.
- Balsamurile sau produsele similare trebuie utilizate conform instrucțiunilor aferente acestora.
- Articolele murdărite cu ulei pot lua foc spontan, în special atunci când sunt expuse la surse de căldură cum ar fi cea din uscătorul de rufe. Articolele se încălzesc, aceasta ducând la oxidarea uleiului. Oxidarea generează căldură. În cazul în care căldura nu este evacuată, articolele se pot încălzi și pot lua foc. Stivuirea sau aglomerarea articolelor murdărite cu ulei împiedică evacuarea căldurii și generează risc de incendiu.
- Scoateți din buzunare toate obiectele, cum ar fi brichetele și chibriturile.
- În cazul în care este inevitabil ca materialele textile care conțin ulei vegetal (sau de gătit) sau au fost murdărite cu produse de îngrijire a părului să fie uscate într-un uscător de rufe, acestea trebuie mai întâi spălate în apă fierbinte, utilizând o cantitate suplimentară de detergent. Această operație va reduce riscul, dar nu îl va elimina.

AVERTISMENT:

- Nu opriți uscătorul de rufe înainte de finalizarea ciclului de uscare, decât dacă articolele sunt scoase repede din aparat și întinse pentru disiparea căldurii.
- Nu obstrucționați orificiile aparatului.
- Filtrul de scame trebuie curățat frecvent.
- Nu lăsați scamele să se acumuleze în uscătorul de rufe.

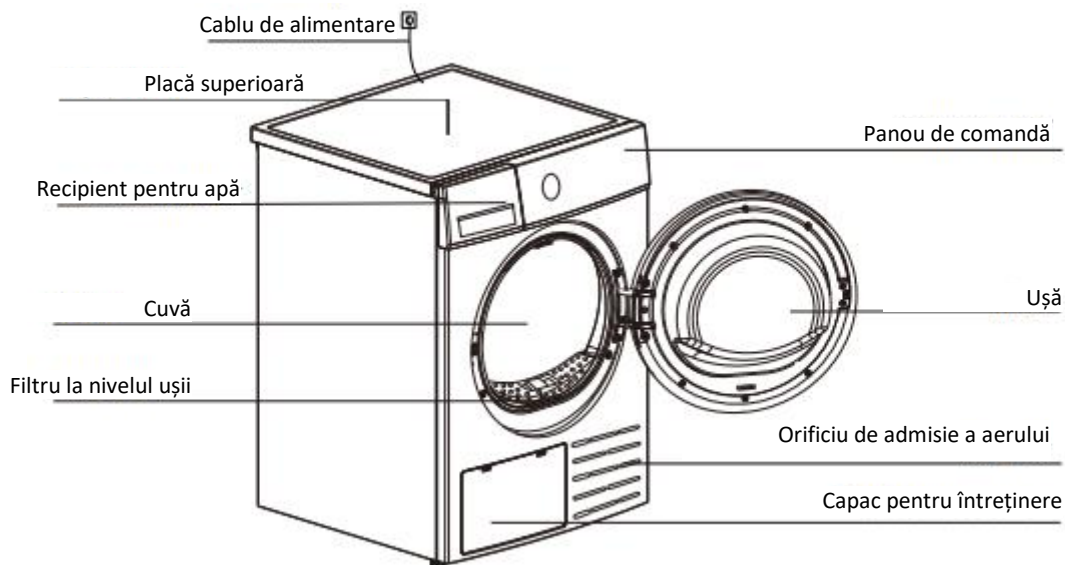
Siguranța copiilor

- Aparatul poate fi utilizat de către copii cu vârste începând de la 8 ani și de către persoane cu capacități fizice, senzoriale sau mentale reduse, cu lipsă de experiență sau cunoștințe, numai dacă acestea sunt supravegheate sau instruite în ceea ce privește utilizarea în siguranță a aparatului și dacă înțeleg pericolele pe care le implică utilizarea. Copiii nu au voie să se joace cu aparatul. Curățarea și întreținerea nu trebuie efectuate de către copii nesupravegheați.
- Copiii trebuie supravegheați, astfel încât aceștia să nu se joace cu aparatul.
- Nu lăsați copiii cu vârste sub 3 ani în preajma aparatului, decât dacă aceștia sunt supravegheați neîntrerupt.
- Închideți ușa aparatului după fiecare utilizare.

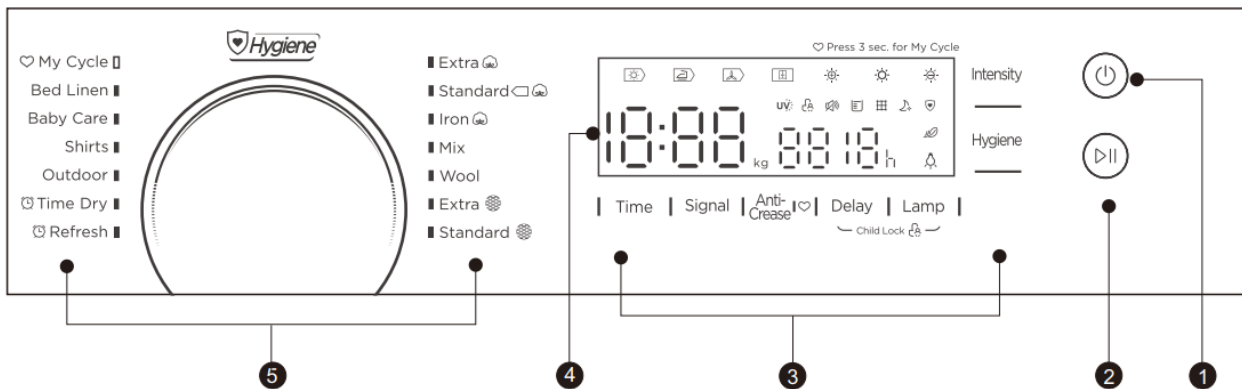
Astfel, veți evita următoarele pericole:

1. Urcarea copiilor pe sau în interiorul uscătorului sau ascunderea de obiecte în interiorul acestuia.
2. Urcarea animalelor de companie sau a altor animale mici în interiorul aparatului.

4. DESCRIEREA PRODUSULUI



5. PANOUL DE COMANDĂ

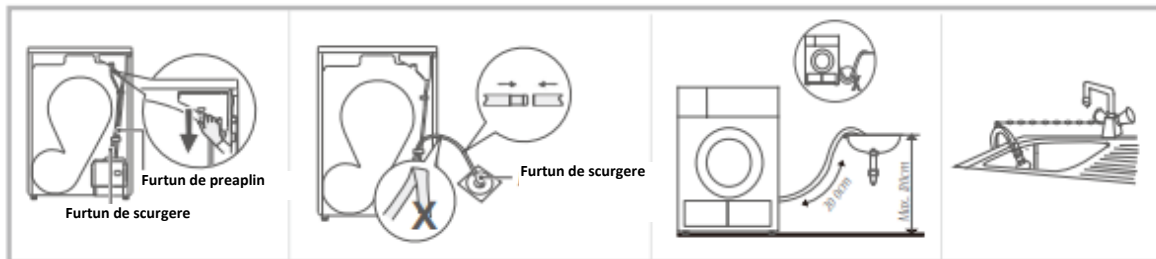


1. Alimentare
Buton pentru pornirea sau oprirea produsului.
2. Start/Pauză
Apăsați acest buton pentru pornirea sau întreruperea programului de uscare.
3. Opțiuni
Aceste butoane sunt utilizate pentru setarea unor funcții suplimentare.
4. Afișaj
Afișajul indică setarea, timpul estimat până la finalizarea programului și mesajele de stare pentru uscătorul dumneavoastră.

5. Programe

Se pot selecta diferite programe de uscare în funcție de nevoile utilizatorilor și de tipul de rufe care urmează să fie uscate.

6. INSTALARE



- Scoateți furtunul de scurgere prin partea superioară.
- Introduceți furtunul de scurgere extern în scurgerea din podea.
- Puneți suportul pentru furtun în lavoar sau în orice altă chiuvetă

Transport

- Transportați aparatul cu atenție.
- Nu apucați de părțile proeminente ale aparatului.
- În timpul mutării aparatului, ușa acestuia nu poate fi folosită drept mâner. Dacă uscătorul nu poate fi transportat în poziție verticală, acesta poate fi înclinat spre dreapta la mai puțin de 30°. Pericol de accidentare și deteriorare! Manevrarea necorespunzătoare a aparatului poate duce la rănire.
- Aparatul este foarte greu. Nu transportați sau cărați niciodată aparatul pe cont propriu; solicitați de fiecare dată ajutorul unei alte persoane.
- Îndepărtați toate obstacolele de pe traseul de transport și de la locul de instalare, de exemplu, deschideți ușile și îndepărtați obiectele de pe podea.
- Nu folosiți ușa deschisă ca punct de prindere.
- Îndepărtați toate ambalajele înainte de a utiliza aparatul.
- Înainte de a instala uscătorul de rufe, asigurați-vă că acesta nu prezintă deteriorări evidente. Nu instalați și nu utilizați un uscător de rufe deteriorat.
- Nu instalați uscătorul de rufe într-o încăpere în care există riscul de apariție a înghețului. La temperaturi apropiate de punctul de îngheț, este posibil ca uscătorul să nu poată funcționa corespunzător.
- Există riscul ca aparatul să se deterioreze dacă este permisă înghețarea apei de condensare în pompă și în furtunuri.

Poziția de instalare

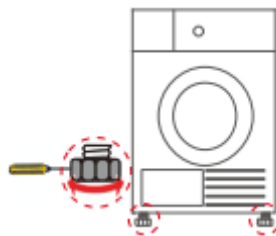
- Copiii se pot prinde în folia de ambalaj sau pot înghiți componentele de mici dimensiuni și se pot sufoca. Nu permiteți copiilor să se joace cu ambalajul.
- Aparatul nu trebuie instalat în spatele unei uși care poate fi blocată, al unei uși glisante sau cu balama pe partea opusă față de cea a uscătorului, astfel încât deschiderea completă a ușii uscătorului să fie împiedicată.

- Nu obturați spațiul de sub aparat cu covoare groase, scânduri din lemn sau alte materiale. Aceasta poate duce la acumularea căldurii și afectarea funcționării aparatului.
1. Pentru confortul dumneavoastră, se recomandă ca uscătorul să fie poziționat în apropierea mașinii de spălat.
 2. Nu puneți acest uscător pe mașina de spălat fără a utiliza un kit special de montaj. Dacă doriți să puneți acest uscător pe o mașină de spălat, vă rugăm să achiziționați componentele separate necesare. Pentru evitarea pericolelor, instalarea trebuie efectuată de către producător, de către agentul său de service sau de către persoane cu o calificare similară.
 3. Uscătorul de rufe trebuie instalat într-un loc curat, unde să nu se acumuleze murdărie. Trebuie permisă circulația liberă a aerului în jurul aparatului. Nu acoperiți admisia de aer din partea din față a aparatului, nici orificiile de admisie situate în partea din spate a acestuia.
 4. Pentru diminuarea vibrațiilor și zgomotului atunci când uscătorul este în funcțiune, acesta trebuie așezat pe o suprafață solidă și plană.
 5. Nu scoateți picioarele aparatului.



Echilibrarea aparatului

După așezarea aparatului în poziție, asigurați-vă că acesta este drept cu ajutorul unui poloboc. Dacă aparatul nu este drept, reglați picioarele cu ajutorul unei unelte.



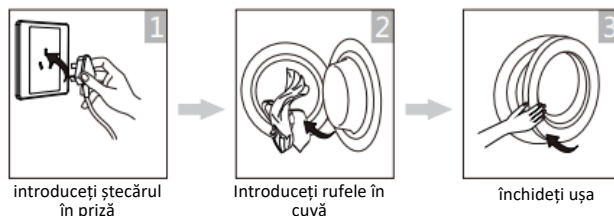
Conectarea la sursa de alimentare

1. Asigurați-vă că tensiunea sursei de alimentare corespunde celei specificate pe uscător.
2. Nu conectați aparatul la rețeaua electrică prin intermediul unui prelungitor, al unui adaptor cu prize multiple sau al unui dispozitiv similar.
 - Lăsați aparatul în picioare timp de două ore după transport. Înainte de prima utilizare, curățați interiorul cuvei cu o cârpă moale.
 1. Puneți câteva cârpe curate în cuvă.
 2. Introduceți ștecăru în priză, apoi apăsați butonul [On/Off].
 3. Selectați programul [Refresh] apoi apăsați pe butonul [Start/Pause].
 4. După finalizarea acestui program, vă rugăm să consultați secțiunea „Curățare și îngrijire” pentru a curăța filtrul de la nivelul ușii.
 - În timpul uscării, compresorul și apa produc zgomote, dar acest lucru este normal.

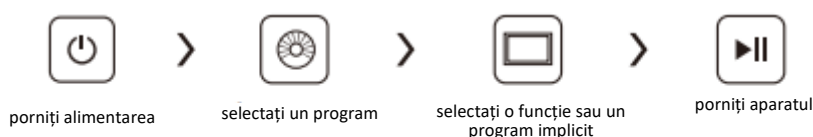
7. MOD DE UTILIZARE

Înainte de utilizare, asigurați-vă că uscătorul de rufe este instalat corect.

Înainte de uscare.



Uscarea



După uscare

Aparatul emite un semnal sonor și ecranul afișează mesajul „End”.



- Deschideți ușa și scoateți rufele.
- Scoateți recipientul pentru apă.
- Vărsați apa de condensare.
- Curățați filtrul.
- Opriti aparatul.

Înainte de fiecare uscare

1. Înainte de uscarea rufelor, stoarceți-le bine cu ajutorul mașinii de spălat rufe. Viteza mare de centrifugare poate reduce timpul de uscare și reduce consumul de energie electrică.
2. Pentru o uscare uniformă a rufelor, sortați rufele în funcție de tipul materialului și de programul de uscare.
3. Înainte de uscarea rufelor, închideți fermoarele, capsele, nasturii, curelele din material textil etc.
4. Scoateți din buzunare toate obiectele, cum ar fi brichetele și chibriturile.
5. Coaseți sau îndepărtați sârmele sutienelor.
6. Închideți husele de pilote și fețele de pernă pentru a preveni înfășurarea obiectelor mici în interiorul acestora
7. Lăsați jachetele deschise și desfaceți fermoarele lungi, astfel încât materialele textile să se usuce uniform.
8. Nu uscați excesiv hainele, deoarece hainele uscate excesiv se șifonează cu ușurință.
9. Nu uscați articolele care conțin cauciuc sau materiale elastice similare.
10. Păstrați curățenia în zona din jurul uscătorului de rufe. Praful de cărbune poate provoca o explozie.

11. Deschideți ușa numai după ce programul uscătorului de rufe s-a încheiat, pentru a evita opărirea cu aburi fierbinți sau din cauza uscătorului supraîncălzit.
12. Curățați filtrul de scame și goliți recipientul pentru apă după fiecare utilizare, pentru a evita creșterea duratei de uscare și a consumului de energie.
13. Nu uscați rufe dacă au fost curățate chimic.

Greutatea standard a hainelor uscate (greutate per articol)

 Pulover (fibre mixte 800g)	 Jachetă (bumbac 800g)	 Blugi (800g)	 Prosop de baie (bumbac 900g)
 Lenjerie de pat pentru persoană (bumbac 600g)	 Haine de lucru (1120g)	 Pijama (200g)	 Cămașă (bumbac 300g)
 Tricou (bumbac 180g)	 Lenjerie intimă (bumbac 70g)	 Șosete (tesătură mixtă 50g)	

- Nu puneți în aparat o încărcătură mai mare decât cea indicată.
- Nu uscați rufe din care picură apă. Uscătorul s-ar putea deteriora.
- Uscați numai rufe potrivite pentru uscarea cu acest aparat.

Respectați instrucțiunile de pe etichetele de îngrijire a rufelor:



Articol potrivit pentru uscarea în uscător.



Uscare la temperatură normală: Uscarea în uscător este posibilă în condiții de încărcare normală și la o temperatură de 80°C.



Uscare la temperatură medie: Se recomandă prudență în cazul uscării în uscător. Selectați uscarea la temperatură medie, cu efect termic redus.



A nu se usca în uscător: Articole care nu se pretează la uscarea în uscător.

Funcții



Delay

Această funcție este utilizată pentru temporizarea pornirii programului de uscare cu până la 12 ore. Atunci când temporizarea este activată, durata rămasă este indicată pe afișaj, iar pictograma aferentă funcției se aprinde intermitent.

1. Introduceți rufe în uscător și asigurați-vă că ușa acestuia este închisă.
2. Apăsați pe butonul [On/Off], apoi utilizați butonul de selectare a programelor pentru a selecta programul dorit.
3. În funcție de necesități, puteți selecta suplimentar funcțiile [Anti-Crease] sau [Intensity].
4. Apăsați pe butonul [Delay].
5. Apăsați în mod repetat pe butonul [Delay] pentru a selecta durata de temporizare dorită.
6. După apăsarea butonului [Start/Pause], uscătorul începe să funcționeze. Uscarea va fi pornită automat la expirarea duratei de temporizare.
7. Dacă apăsați din nou pe butonul [Start/Pause], funcția de temporizare va fi întreruptă.
8. Dacă doriți să anulați funcția de temporizare, apăsați pe butonul [On/Off].



Time

În cazul selectării funcției [Time], butonul poate fi utilizat pentru a regla timpul de uscare în pași a câte 10 minute.



Intensity

Puteți regla nivelul de uscare a rufelor apăsând pe butonul [Intensity].

1. Funcția „Intensity” poate fi activată numai înainte de pornirea programului.
2. Apăsați repetat pe butonul [Intensity] pentru a crește gradul de uscare.
3. Cu excepția programelor [Cotton Iron], [Wool] și [Time], toate celelalte programe pot fi reglate cu ajutorul funcției [Intensity].



Anti-Crease

La finalul programului de uscare, funcția antișifonare va fi activată timp de 60 de minute (implicit) sau 120 de minute (dacă selectați această durată).

Această funcție previne șifonarea rufelor. Rufe pot fi scoase în timp ce funcția antișifonare este activă. Cu excepția programelor [Wool] și [Refresh], toate celelalte programe dispun de această funcție.



Lamp

Lampa cuvei va sta aprinsă timp de 3 minute când apăsați pe buton sau 1 minut când ușa este deschisă.



Signal

Oprește sau pornește avertizarea sonoră. În mod implicit, avertizarea sonoră este pornită.

Atunci când avertizarea sonoră este pornită:

1. Uscătorul vă va confirma printr-un semnal sonor apăsarea butonului pentru selectarea funcțiilor.
2. Dacă rotiți selectorul de programe timpul funcționării uscătorului, avertizorul sonor vă va reaminti că aceasta este o operație invalidă.
3. La finalizarea programului de uscare, avertizorul va emite un semnal sonor scurt.



Hygiene

După selectarea programului, puteți alege funcția „Hygiene” în funcție de preferințele dumneavoastră.

Apăsați pe butonul [Hygiene] pentru a selecta această funcție. Apăsați din nou pentru a o anula. În urma selectării funcției „Hygiene”, hainele sunt sterilizate în timpul procesului de uscare, ceea ce face ca acestea să fie mai curate și mai sigure. Utilizați această funcție cu prudență în cazul rufelor ușoare, delicate sau din material subțire.



Child Lock

1. Acest aparat este prevăzut cu o funcție de protecție împotriva acționării de către copii, care previne acționarea de către copii a butoanelor aparatului.
2. Când programul de uscare este în curs de desfășurare, apăsați și mențineți apăsați simultan butoanele [Delay] și [Lamp] timp de 3 secunde pentru a activa funcția de blocare împotriva acționării de către copii.
3. Când funcția de blocare împotriva acționării de către copii este activă, pe afișaj apare pictograma aferentă funcției și toate butoanele sunt dezactivate, cu excepția butonului [On/Off].
4. Pentru dezactivarea funcției de blocare împotriva acționării de către copii, apăsați și mențineți apăsați simultan butoanele [Delay] și [Lamp] timp de 3 secunde.

Programe

Program		Sarcină maximă	Utilizare/Proprietăți	Delay	Time
Cotton	Extra	8 kg	Pentru uscarea completă în vederea depozitării directe a rufelor din bumbac într-un singur strat sau în mai multe straturi.	Da	Nu
	Standard				
	Iron		Pentru ca rufele din bumbac într-un singur strat să rămână umede pentru călcare.		
Mix		3,5 kg	Pentru țesături mixte din bumbac și fibre sintetice.	Da	Nu
Synthetics	Extra	3,5 kg	Pentru țesături sintetice groase sau multistrat care trebuie uscate complet.	Da	Nu
	Standard		Pentru a usca textilele sintetice din material subțire, care nu sunt călcate, precum cămășile ușor de întreținut, hainele pentru bebeluși sau șosetele.		
Wool		1 kg	Uscarea delicată a articolelor din lână care pot fi spălate la mașină. Gradul de umiditate final va depinde de mărimea încărcăturii și de gradul de umiditate după centrifugare.	Da	Nu
My Cycle		-	Definirea și salvarea programului dumneavoastră preferat	Da	-
Bed Linen		4 kg	Pentru a usca lenjeria de pat, cearșafurile de pat sau alte articole mari.	Da	Nu
Baby Care		1 kg	Pentru uscarea unei cantități mici de îmbrăcăminte pentru copii	Da	Nu
Shirts		1 kg	Pentru rufe ușor de întreținut, cum ar fi cămășile și bluzele din material antișifonare, pentru a reduce la minimum efortul de călcare. Așezați rufele în uscător fără a le aglomera. După ce se usucă, scoateți-le rapid și puneți-le pe un umerăș	Da	Nu
Outdoor		3 kg	Pentru uscarea articolelor de îmbrăcăminte sport și a țesăturilor subțiri din poliester	Da	Nu
Time	Time Dry	3 kg	Pentru a usca articole individual sau a finaliza procesul de uscare a țesăturilor multistrat cum ar fi jachete, perne sau articole voluminoase. Min. 10 min. până la max. 150 min. (în pași a câte 10 min.)	Da	Da
	Refresh	1 kg	Pentru a îmbrospăta hainele sau pentru a îndepărta mirosurile. Min. 20 min. până la max. 220 min. (în pași a câte 10 min.)		

Program		Sarcină maximă	Viteza de rotație/Umiditate reziduală în %/	Durata implicită program (min)
Cotton	Extra	8 kg	1000rpm / 60%	190
	Standard		1000rpm / 60%	140
	Iron		1000rpm / 60%	120
Mix		3.5 kg	1000rpm / 60%	110
Synthetics	Extra	3.5 kg	800rpm / 40%	100
	Standard		800rpm / 40%	90
Wool		1 kg	/	25
My Cycle		-	/	140
Bed Linen		4 kg	1000rpm / 60%	170
Baby Care		1 kg	1000rpm / 60%	85
Shirts		1 kg	1000rpm / 60%	80
Outdoor		3 kg	1000rpm / 60%	100
Time	Time Dry	3 kg	/	10
	Refresh	1 kg	/	20

Selectorul de programe

1. Atunci când afișajul cu LED se aprinde, rotiți selectorul de programe pentru a selecta programul dorit.
2. Selectați funcțiile [Time], [Signal], [Anti - Crease], [Delay], [Lamp], [Hygiene] sau [Intensity] pentru opțiuni suplimentare.
3. Apăsați pe butonul [Start/Pause].
4. Apăsați pe butonul [On/Off] după finalizarea programului.

Pornirea programului

Tamburul se va roti după începerea programului. Indicatorul LED al fazei programului se va aprinde și va fi afișată durata rămasă.

Finalizarea programului

1. Tamburul se va opri din rotație după finalizarea programului. Ecranul va afișa „0:00” și indicatorul LED aferent se va aprinde. Uscătorul va activa funcția [Anti-Crease] în cazul în care rufele nu sunt scoase. După scoaterea rufelor, apăsați [On/Off] pentru a opri aparatul dacă afișajul este aprins. Uscarea s-a încheiat, vă rugăm să scoateți aparatul din priză.

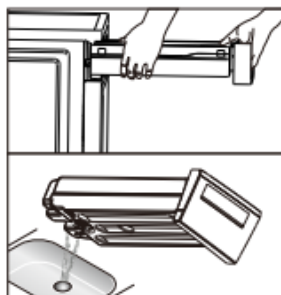
Soluționați problemele în conformitate cu secțiunea „Remediarea problemelor” dacă se produce o oprire neașteptată în timpul programului de uscare sau dacă uscătorul afișează un cod de eroare.

8. ÎNTREȚINERE

Curățare și îngrijire

Golirea recipientului pentru apă

1. Scoateți și țineți recipientul pentru apă cu ambele mâini.
2. Înclinați recipientul pentru apă și turnați în chiuvetă apa de condensare.
3. Reintroduceți recipientul pentru apă

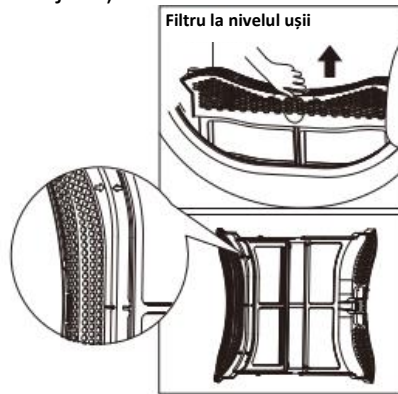


- Goliți recipientul pentru apă după fiecare utilizare. Odată ce recipientul de apă se umple, programul va fi întrerupt, iar afișajul va afișa mesajul „Ful”. După golirea recipientului, uscătorul poate fi repornit prin apăsarea butonului [Start/Pause].
- Nu beți apa de condensare.
- Nu utilizați uscătorul fără recipientul pentru apă.

Curățarea filtrelor

Acest uscător este prevăzut un filtru de scame la nivelul ușii. Curățați filtrul de la nivelul ușii după fiecare utilizare.

- Pentru a vă asigura că filtrul cu două straturi poate fi închis corespunzător, săgețile de la ambele capete trebuie să fie aliniate, la fel și fanta din mijloc și nervura.

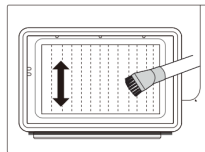


Curățarea filtrului de aer.

1. Deschideți ușa.
2. Scoateți filtrul de la nivelul ușii.
3. Deschideți filtrul și îndepărtați scamele de pe acesta. Îl puteți curăța sub jet de apă.
4. Lăsați filtrul să se usuce bine înainte de a-l monta la loc.

Curățarea schimbătorului de căldură

- Nu atingeți schimbătorul de căldură cu mâna, deoarece vă puteți răni.
- După cum poate fi necesar, aproximativ o dată la 3 luni, îndepărtați scamele de pe schimbătorul de căldură cu ajutorul unui aspirator sau cu o perie.
- Curățați schimbătorul de căldură fără a exercita presiune asupra acestuia. În caz contrar, schimbătorul de căldură poate suferi deteriorări. Uscătorul nu se va usca dacă nervurile de răcire sunt deteriorate sau îndoite.




Curățarea uscătorului de rufe



- Scoateți aparatul din priză înainte de efectuarea operațiilor de curățare!
- Ștergeți uscătorul de rufe cu o cârpă umezită doar cu apă curată.
- Nu utilizați solvenți, detergenți abrazivi, detergenți pentru sticlă sau detergenți universali. Acestea ar putea deteriora suprafețele din plastic și alte componente.
- Vă rugăm să purtați mănuși atunci când curățați produsul.
- Pregătiți o cârpă umezită cu apă curată.
- Curățați ușa, în special partea interioară.
- Curățați garnitura de etanșare.
- Curățați senzorul de umiditate din interiorul cuvei.
- Scoateți toate filtrele, curățați garnitura și orificiile de circulație a aerului.
- Înainte de a porni uscătorul, ștergeți bine toate componentele cu o cârpă moale.

9. REMEDIEREA PROBLEMELOR

Multe dintre defecțiunile și avariile care pot apărea în timpul funcționării zilnice pot fi remediate cu ușurință. Se vor economisi timp și bani, deoarece nu va fi nevoie să contactați serviciul de asistență tehnică. Următorul ghid vă poate ajuta să găsiți cauza unei defecțiuni și să o remediați.

Afișaj	Cauză	Soluții
E32	Eroare a senzorului de umiditate	Scoateți ștecărul din priză Vă rugăm să contactați centrul de service în cazul în care problema apare.
E33	Eroare a senzorului de temperatură	
E82	Eroare de comunicație PCB	
	Defecțiune a pompei de apă sau defecțiune a senzorului pentru nivelul apei	Goliți recipientul
	Recipientul este plin	

- Reparațiile pot fi efectuate numai de către tehnicieni calificați.
- Dacă ecranul LED afișează alt mesaj și uscătorul nu funcționează, scoateți ștecărul din priză și contactați serviciul de asistență tehnică.

Problemă	Soluție
Afișajul nu se aprinde	<ul style="list-style-type: none"> • Asigurați-vă că ștecărul este conectat la sursa de alimentare. • Asigurați-vă că sursa de alimentare cu energie electrică funcționează. • Verificați programul selectat. • Apăsați pe butonul [On/Off].
 se aprinde	<ul style="list-style-type: none"> • Verificați recipientul pentru apă. Dacă este plin, vă rugăm să vărsați apa de condensare și reporniți uscătorul. • Dacă recipientul nu este plin, vă rugăm să reporniți direct uscătorul. • Dacă pictograma „ful” se aprinde în continuare după ce ați parcurs primii doi pași, vă rugăm să contactați serviciul de asistență tehnică.
 se aprinde	<ul style="list-style-type: none"> • Curățați filtrul de scame
Uscătorul nu pornește	<ul style="list-style-type: none"> • Conectați uscătorul de rufe la sursa de alimentare cu energie electrică. • Porniți uscătorul de rufe. • Asigurați-vă că ușa este închisă. • Asigurați-vă că programul este setat. • Apăsați pe butonul [Start/Pause].
Gradul de uscare dorit nu a fost atins sau timpul de uscare a fost prea lung	<ul style="list-style-type: none"> • Curățați filtrul de scame • Goliți recipientul pentru apă • Verificați furtunul de scurgere. • Asigurați-vă că locul de instalare este adecvat. • Mențineți curat orificiul de admisie a aerului. • Folosiți un program cu un nivel de intensitate a uscării mai ridicat sau un program cu durata corespunzătoare.
Aparatul produce bâzâituri	<ul style="list-style-type: none"> • Compresorul este în funcțiune. Aceste zgomote sunt normale și nu indică o defecțiune.
Uscătorul se oprește la sfârșitul programului	<ul style="list-style-type: none"> • Uscătorul se oprește automat pentru a economisi energie. Aceasta nu este o eroare, ci o funcție normală.

Vă mulțumim pentru achiziționarea acestui produs! Dacă aveți nevoie de asistență în ceea ce privește produsul dumneavoastră, vizitați site-ul nostru web utilizând linkurile de mai jos.

Obțineți manuale de utilizare: <https://www.heinner.ro>

Obțineți informații privind reparațiile: <https://www.heinner.ro>



Eliminarea deșeurilor în mod responsabil față de mediu

Puteți ajuta la protejarea mediului!

Va rugăm să respectați reglementările locale, prin predarea echipamentelor electrice nefuncționale unui centru de colectare a echipamentelor electrice uzate.



HEINNER este marcă înregistrată a companiei **Network One Distribution SRL**. Celelalte branduri și denumirile produselor sunt mărci de comerț sau mărci de comerț înregistrate ale respectivilor deținători.

Nicio parte a specificațiilor nu poate fi reprodusă sub nicio formă și prin niciun mijloc, nici utilizată pentru obținerea unor derivate precum traduceri, transformări sau adaptări, fără consimțământul prealabil al companiei NETWORK ONE DISTRIBUTION.

Copyright © 2013 Network One Distribution. Toate drepturile rezervate.

www.heinner.com, <http://www.nod.ro>



Acest produs este proiectat și realizat în conformitate cu standardele și normele Comunității Europene.



Importator: **Network One Distribution**

Str. Marcel Iancu, nr. 3-5, București, România

Tel: +40 21 211 18 56, www.heinner.com, www.nod.ro

СУШИЛНЯ С ТЕРМОПОМПА

Модел:
ННPD-M8K3SA++



- Сушилник за дрехи с помпа за топлина
 - Капацитет за пране: 8 кг
 - Енергиен клас: A++

HEINNER

1. ВЪВЕДЕНИЕ

Моля прочетете внимателно инструкциите и запазете наръчника за бъдещи справки.

Този наръчник има за цел да Ви предостави всички необходими инструкции по отношение на инсталирането, използването и поддържането на уреда. Преди инсталиране и използване на уреда, с цел правилна и безопасна употреба на уреда, моля прочетете внимателно този наръчник с инструкции.

2. СЪДЪРЖАНИЕ НА ВАШИЯ ПАКЕТ

- ➔ Сушилник за дрехи с помпа за топлина
- ➔ Наръчник за употреба
- ➔ Сертификат за гаранция

3. СЪДЪРЖАНИЕ НА ВАШИЯ ПАКЕТ

ОБЩИ УКАЗАНИЯ

Тази сушилня с термopомпа е предназначена за сушене на нормално количество пране за домакинска употреба, което е било изпрано с вода. Тя е проектирана изключително за частна употреба и не е подходяща за търговска или обща употреба (като например от няколко семейства в жилищен блок).

- Използвайте този уред само по начина, който е описан в настоящия наръчник.
- Този уред е предназначен за използване само в закрити помещения.
- Всяка друга употреба се счита за неподходяща и може да доведе до материални щети или дори до телесни повреди.
- Производителят не поема отговорност за щети, причинени от неправилна употреба.

Уредът съответства на клас на защита I и може да се свързва само към правилно монтиран щепсел, оборудван със защитен проводник.

Когато свързвате уреда към електрическата мрежа, уверете се, че напрежението в мрежата е подходящо.

Повече информация за това може да бъде намерена на табелката с технически данни.

Опасност от токов удар

- Преди да свържете сушилнята към източника на захранване, уверете се, че параметрите на идентификационната табелка (капацитет на предпазителите, напрежение и честота) съответстват на параметрите на захранващата електрическа мрежа. Ако имате неясноти, потърсете помощ от квалифициран електротехник.
- Електрическата безопасност на тази сушилня може да бъде гарантирана само ако уредът е правилно заземен. От съществено значение е това стандартно изискване за безопасност да бъде спазено. Ако имате съмнения, моля, поискайте проверка на електрическата инсталация в дома си от квалифициран

електротехник. Производителят не може да носи отговорност за последиците от неправилна система за заземяване (например, която може да причини токови удари).

- Не дърпайте силно захранващия кабел. Моля, дърпайте само за щепсела.
- Не свързвайте/дърпайте щепсела с мокри ръце.
- Не огъвайте, не мачкайте и не повреждайте захранващия кабел и щепсела.
- С цел предотвратяване на опасности, ако захранващият кабел е повреден, трябва да се подмени от производителя, от неговия сервизен представител или от лица с подобна квалификация.

Предупреждение: Забранено е захранването на този уред чрез външно комутационно устройство (като таймер) или свързването му към електрическа верига, която се включва и изключва на редовни интервали от доставчика на комунални услуги.

- Не свързвайте уреда към електрическата мрежа чрез удължителен кабел, адаптер с множество щепсели или подобно устройство.
- Трябва да се осигури достъпност до щепсела по всяко време, за да може да се изключи сушилнята от източника на захранване с електроенергия.
- Ако уредът се нагрява ненормално, моля извадете веднага щепсела от контакта.

Опасност от нараняване

Уредът не трябва да се инсталира зад врата, която може да бъде заключвана, зад плъзгаща се врата или зад такава с панта от противоположната страна на сушилнята, така че да се възпрепятства пълното отваряне на вратата на сушилнята.

- Не разглобявайте и не инсталирайте сушилнята без инструкции или надзор.
- Не поставяйте тази сушилня върху пералната машина без да използвате специален комплект за монтаж. Ако искате да поставите тази сушилня върху перална машина, моля, закупете необходимите отделни компоненти. За да избегнете опасности, инсталирането трябва да се извърши от производителя, негов сервизен агент или от лица с подобна квалификация.
- Не се подпирайте върху отворената врата на сушилнята.
- Кондензната вода не е питейна вода. Ако се консумира, може да причини здравословни проблеми както на хората, така и на животните.

Опасност от повреждане

Не поставяйте в уреда по-голям товар от посочения в това ръководство за употреба.

- Не използвайте сушилнята без филтъра на вратата.
- Не изсушавайте дрехи, които не са били изцедени чрез центрофугиране
- Не излагайте сушилнята на пряка слънчева светлина.
- Не инсталирайте сушилнята във влажни среди.
- Преди извършване на операциите по почистване или поддръжка, не забравяйте да извадите щепсела от контакта. Не пръскайте вода директно върху сушилнята.
- Не е необходимо преобръщането на уреда по време на нормалната употреба или поддръжка.

Опасност от експлозия и пожар

Моля, не сушете дрехи, които са влезли в контакт със запалими вещества, като керосин или алкохол. В противен случай може да възникне експлозия.

- Уредът съдържа екологично чист, но запалим хладилен агент R290. Пазете продукта далеч от източници на открит пламък и други източници на запалване.
- Прането не трябва да се изсушава в уреда, ако са използвани промишлени химични вещества за тяхното почистване.
- Не използвайте сушилнята за изделия, които не са изпрани.
- Изделията, които са замърсени с вещества като олио, ацетон, етилов алкохол, бензин, течна газ за горене, вещества за отстраняване на петна, минерален терпентин, восък и вещества за отстраняване на восък, трябва да се изпират в гореща вода с по-голямо количество препарат за миене преди да бъдат изсушени в уреда.
- Изделия като тези от мек каучук (латексова пяна), шапки за душ, водоустойчиви текстилни материали, гумени изделия и дрехи или възглавници с пълнеж от мек каучук не трябва да се изсушават в уреда.
- Балсамът или подобни продукти трябва да се използват съгласно съответстващите им инструкции.
- Изделията, замърсени с масло, могат да изгорят внезапно, особено ако са изложени на източник на топлина, като този на сушилнята за дрехи. Изделията се нагряват, като това води до окисляване на маслото. Окисляването генерира топлина. Ако топлината не е изведена, изделията могат да се нагряват и могат да изгорят. Натрупването или струпването на замърсените с масло изделия възпрепятства извеждането на топлината и генерира риск от пожар.
- Извадете от джобовете всички предмети, като например запалки и кибритени клечки.
- Ако е непредотвратим факта, че текстилните материали, които съдържат растително масло (или олио) или които са били замърсени с продукти за грижа за косата, ще бъдат изсушавани в сушилня за дрехи, те трябва първо да се изперат с гореща вода, като се използва допълнително количество препарат за миене - тази операция ще намалява риска, но няма да го премахне.

ПРЕДУПРЕЖДЕНИЕ:

- Не изключвайте сушилнята преди приключване на цикъла за изсушаване, освен ако дрехите се извадят бързо от уреда и се прострат с цел разсейване на топлината.
- Не запушвайте отворите на уреда.
- Филтърът за власинки трябва да се почиства често.
- Не оставяйте да се натрупват власинки в сушилнята за дрехи.

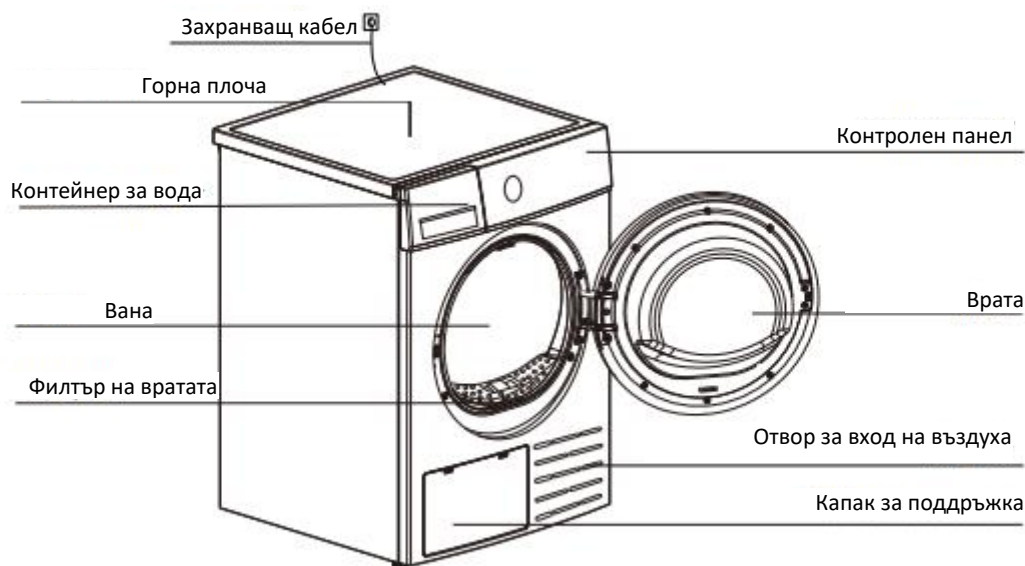
Безопасност за децата

- Уредът може да се използва от деца на възраст най-малко 8 години и от лица с намалени физически, сетивни или умствени способности, или с липса на достатъчен опит и познания, само ако са под наблюдение или са получили указания във връзка с използването на уреда по безопасен начин и ако разбират опасностите, които могат да възникнат при използване на уреда. Децата нямат право да си играят с уреда. Почистването и поддръжката не трябва да се извършват от деца, които не са под наблюдение.
- Децата трябва да бъдат наблюдавани, така че да не си играят с уреда.
- Не допускайте деца под 3 години около уреда само, ако не са под непрекъснат надзор.
- Затворете вратата на уреда след всяка употреба.

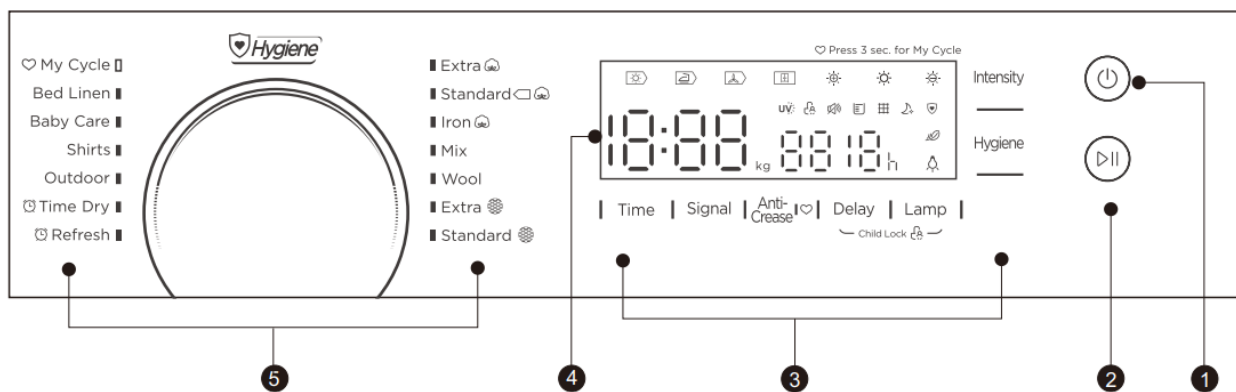
Така ще избегнете следните опасности:

1. Катерене на деца върху или вътре в сушилнята или криенето на предмети вътре в нея.
2. Катерене на домашни любимци или други малки животни вътре в уреда.

4. ОПИСАНИЕ НА ПРОДУКТА



5. КОНТРОЛЕН ПАНЕЛ



1. **Захранване**
Бутон за включване или изключване на продукта.
2. **Старт/Пауза**
Натиснете този бутон, за да включите или прекъснете програмата за сушене.
3. **Опции**
Тези бутони се използват за настройка на допълнителни функции.
4. **Дисплей**
Дисплеят показва настройката, очакваното време до завършване на програмата и съобщенията за състоянието на вашата сушилня.

5. Програми

Могат да се избират различни програми за сушене в зависимост от нуждите на потребителите и от вида на прането, което следва да се суши.

6. ИНСТАЛИРАНЕ



- Извадете дренажния маркуч през горната част.
- Вкарайте външния дренажен маркуч в подовия сифон.
- Поставете държача на маркуча в умивалника или във всяка друга мивка.

Транспорт

- Транспортирайте уреда внимателно.
- Не захващайте уреда за издадените части.
- По време на преместване на уреда неговата врата не трябва да се използва за дръжка. Ако сушилнята не може да се транспортира във вертикално положение, тя може да бъде наклонена надясно с по-малко от 30°. Опасност от нараняване и повреда! Неправилното боравене с уреда може да доведе до нараняване.
- Уредът е много тежък. Никога не транспортирайте или носете уреда сами; винаги искайте помощ от друг човек.
- Отстранете всички препятствия от транспортното трасе и мястото на инсталиране, например отворите вратите и отстранете предметите от пода.
- Не използвайте отворената врата като опорна точка.
- Отстранете всички опаковки преди да използвате уреда.
- Преди да инсталирате сушилнята се уверете, че няма видими повреди. Не инсталирайте и не използвайте повредена сушилня.
- Не инсталирайте сушилнята в помещение, където съществува риск от замръзване. При температури, близки до точката на замръзване, сушилнята може да не функционира правилно.
- Съществува риск уредът да се повреди, ако се допусне замръзване на кондензната вода в помпата и маркучите.

Позиция за инсталиране

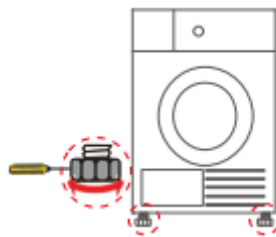
- Децата могат да се хванат във фолиото на опаковката или да погълнат малките компоненти и да се задавят. Не позволявайте на децата да си играят с опаковката.

- Уредът не трябва да се инсталира зад врата, която може да бъде заключвана, зад плъзгаща се врата или зад такава с панта от противоположната страна на сушилнята, така че да се възпрепятства пълното отваряне на вратата на сушилнята.
 - Не запушвайте пространството под уреда с дебели килими, дървени дъски или други материали. Това може да доведе до натрупване на топлина и засягане на работата на уреда.
1. За Вашия комфорт, се препоръчва сушилнята да бъде позиционирана в близост до пералната машина.
 2. Не поставяйте тази сушилня върху пералната машина без да използвате специален комплект за монтаж. Ако искате да поставите тази сушилня върху перална машина, моля, закупете необходимите отделни компоненти. За да избегнете опасности, инсталирането трябва да се извърши от производителя, негов сервизен агент или от лица с подобна квалификация.
 3. Сушилнята за дрехи трябва да се инсталира на сухо място, където няма да се натрупва мръсотия. Трябва да се позволява свободното движение на въздуха около уреда. Не покривайте отворите за влизане на въздух от предната страна на уреда, нито тези от задната страна.
 4. С цел намаляване на вибрациите и шума тогава, когато сушилнята е включена, трябва да е поставена върху здрава и равна повърхност.
 5. Не демонтирайте крачетата на уреда.



Нивелиране на уреда

След поставяне на уреда на място, уверете се, че стои прав с помощта на нивелир. Ако уредът не стои прав, регулирайте крачетата с помощта на инструмент.



Свързване към източника на захранване

1. Уверете се, че напрежението на източника на захранване с електроенергия съответства на това, което е посочено на табелката върху сушилнята.
 2. Не свързвайте уреда към електрическата мрежа чрез удължителен кабел, адаптер с множество щепсели или подобно устройство.
- Оставете уреда върху неговите крачета по време на два часа след транспортиране. Преди първата употреба почистете вътрешността на ваната с мека кърпа.
1. Поставете няколко чисти кърпи във ваната.
 2. Поставете щепсела в контакта и натиснете бутона [On/Off].
 3. Изберете програмата [Refresh], , след това натиснете бутона [Start/Pause].

4. След приключване на тази програма, моля, вижте раздел „Почистване и поддръжка“, за да почистите филтъра на вратата.

- По време на сушенето компресорът и водата издават шумове, но това е нормално.

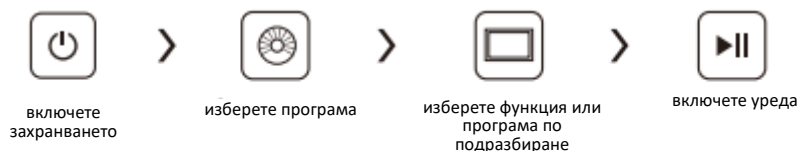
7. НАЧИН НА ИЗПОЛЗВАНЕ

Преди употреба се уверете, че сушилнята е правилно инсталирана.

Преди сушене

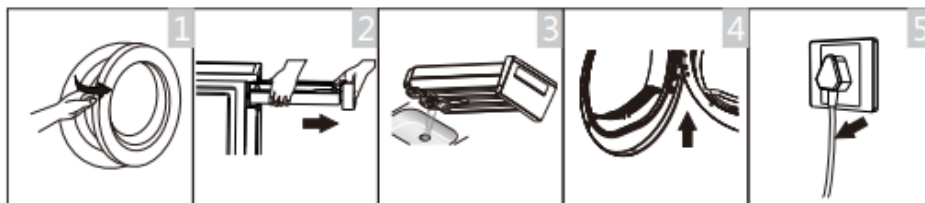


Сушене



След сушене

Уредът издава звуков сигнал и на дисплея се показва съобщението „End“.



- Отворете вратата и извадете прането.
- Извадете контейнера за вода.
- Излейте кондензата вода.
- Почистете филтъра.
- Изключете уреда.

Преди всяко сушене

1. Преди изсушаване на прането изцедете го добре с помощта на пералната машина. Голямата скорост за центрофугиране може да намалява времето за изсушаване и намалява консумацията на електроенергия.
2. За равномерно изсушаване на прането, сортирайте го в зависимост от вида на материала и програмата за изсушаване.
3. Преди изсушаване на прането, затворете / закопчайте циповете, секретните копчета, копчетата, каишките от текстилен материал и др.
4. Извадете от джобовете всички предмети, като например запалки и кибритени клечки.
5. Зашийте или отстранете телчетата на сутиените.

6. Затворете калъфите на олекотените завивки и калъфките за възглавници, за да предотвратите увиването на малки предмети вътре в тях.
7. Оставете жилетките отворени и разкопчайте дългите ципове, така че текстилните материали да изсъхнат равномерно.
8. Не пресушавайте дрехите, тъй като пресушените дрехи се мачкат лесно.
9. Не сушете артикули, съдържащи каучук или подобни еластични материали.
10. Поддържайте зоната около сушилнята чиста. Въглищният прах може да предизвика експлозия.
11. Отваряйте вратата само след като програмата на сушилнята е приключила, за да избегнете опарване с гореща пара или поради прегрята сушилня.
12. Почистете филтъра за власинки и изпразнете съда за вода след всяко използване, с цел увеличаване на времетраенето за изсушаване и на консумацията на електроенергия.
13. Не изсушавайте дрехи, които са били почистени химически.

Стандартно тегло на сухи дрехи (тегло на артикул)

 Пуловер (смесени влакна 800 г)	 Жилетка (памук 800 г)	 Дънки (800 г)	 Хавлия за баня (памук 900 г)
 Спално бельо за един човек (памук 600 г)	 Работни дрехи (1120 г)	 Пижама (200 г)	 Риза (памук 300 г)
 Тениска (памук 180 г)	 Бельо (памук 70 г)	 Чорапи (смесена тъкан 50 г)	

- Не поставяйте в уреда товар, по-голям от посочения.
- Не сушете пране, от което капе вода. Сушилнята може да се повреди.
- Сушете само пране, подходящо за сушене с този уред.

Спазвайте инструкциите, посочени на етикетите за поддръжка на прането:



Артикул, подходящ за сушене в сушилня.



Сушене при нормална температура: сушенето в сушилнята е възможно при условия на нормално

натоварване и при температура от 80°C. Сушене при средна температура: Препоръчва се повишено внимание при сушене в сушилня. Изберете сушене при средна температура с нисък термичен ефект.



Не сушете в сушилня: Артикули, които не са подходящи за сушене в сушилня.

Функции



Delay

Тази функция се използва за забавяне на стартирането на програмата за сушене с до 12 часа. Когато забавянето е активирано, на дисплея се показва оставащото време и иконата на функцията мига.

1. Поставете прането в сушилнята и се уверете, че вратата ѝ е затворена.
2. Натиснете бутона [On/Off], след което използвайте бутона за избор на програмите, за да изберете желаната програма.
3. В зависимост от вашите нужди, можете допълнително да изберете функциите [Anti-Crease] или [Intensity].
4. Натиснете бутона [Delay].

5. Натиснете многократно бутона [Delay], за да изберете желаното време на забавяне.
6. След натискане на бутона [Start/Pause], сушилнята започва да функционира. Изсушаването ще се включва автоматично след изтичане на времетраенето на таймера.
7. Ако натиснете отново бутона [Start/Pause], функцията на таймера ще бъде прекъсната.
8. Ако желаете да анулирате функцията на таймера, натиснете бутона [On/Off].



Time

Ако е избрана функцията [Time], бутонът може да се използва за регулиране на времето за сушене на стъпки от по 10 минути.



Intensity

Можете да регулирате нивото на сушене на прането, като натиснете бутона [Intensity].

1. Функцията „Intensity” може да се активира само преди стартиране на програмата.
2. Натиснете многократно бутона [Intensity], за да увеличите степента на сушене.
3. С изключение на програмите [Cotton Iron], [Wool] и [Time], всички останали програми могат да се регулират с помощта на функцията [Intensity].



Anti-Crease

В края на програмата за изсушаване, функцията против намачкване ще бъде активирана по време на 60 минути (по подразбиране) или на 120 минути (ако изберете това времетраене).

Тази функция предотвратява намачкването на прането. Прането може да се изважда, докато функцията против намачкване е активна. С изключение на програмите [Wool] и [Refresh], всички останали програми разполагат с тази функция.



Lamp

Лампата на ваната ще свети в продължение на 3 минути, когато натиснете бутона, или 1 минута, когато вратата е отворена.



Signal

Изключва или включва звуковото предупреждение. По подразбиране звуковото предупреждение е включено.

Когато звуковото предупреждение е включено:

1. Сушилнята ще потвърди със звуков сигнал, че е натиснат бутонът за избор на функции.
2. Ако завъртите селектора за програми, докато сушилнята работи, звуковият сигнализатор ще ви напомни, че това е невалидна операция.
3. В края на програмата за сушене звуковият сигнализатор ще издаде кратък звуков сигнал.



Hygiene

След като изберете програмата, можете да зададете функцията „Hygiene”, в зависимост от вашите предпочитания.

Натиснете бутона [Hygiene], за да изберете тази функция. Натиснете отново, за да я отмените. След като изберете функцията „Hygiene”, дрехите се стерилизират по време на процеса на сушене, което ги прави по-чисти и безопасни. Използвайте тази функция с повишено внимание за леки, деликатни или тънки дрехи.



Child Lock

1. Този уред е оборудван с функция за защита от задействане от страна на деца, която предотвратява задействането от деца на бутоните на уреда.
2. Когато програмата за сушене е в ход, натиснете и задръжте натиснати едновременно бутоните [Delay] и [Lamp] в продължение на 3 секунди, за да активирате функцията за заключване срещу задействане от деца.
3. Когато функцията за заключване срещу задействане от деца е активна, на дисплея се появява иконата на функцията и всички бутони са деактивирани, с изключение на бутона [On/Off].
4. За да деактивирате функцията за заключване срещу задействане от деца, натиснете и задръжте натиснати едновременно бутоните [Delay] и [Lamp] в продължение на 3 секунди.

Програми

Програма		Максимално натоварване	Употреба/Свойства	Delay	Time
Cotton	Extra	8 кг	За пълно изсушаване за директно съхранение на памучно пране на един слой или на няколко слоя.	Да	Не
	Standard				
	Iron (Гладене)		За запазване на еднослойното памучно пране влажно за гладене.		
Mix		3,5 кг	За смесени тъкани от памук и синтетични влакна.	Да	Не
Synthetics	Extra	3,5 кг	За плътни или многослойни синтетични тъкани, които трябва да бъдат напълно изсушени.	Да	Не
	Standard		За изсушаване на тънки синтетични тъкани, които не се гладят, като например лесни за поддържане ризи, бебешки дрехи или чорапи.		
Wool		1 кг	Деликатно сушене на вълнени изделия, които могат да се перат в пералня. Крайното съдържание на влага ще зависи от размера на товара и от съдържанието на влага след центрофугиране.	Да	Не
My Cycle		-	Дефиниране и запазване на вашата предпочитана програма	Да	-
Bed Linen		4 кг	За сушене на спално бельо, чаршафи или други големи артикули.	Да	Не
Baby Care		1 кг	За сушене на малко количество детски дрехи	Да	Не
Shirts		1 кг	За пране с лесна поддръжка, като например ризи и блузи, изработени от материал против намачкване, за да се намали до минимум усието при гладене. Поставете прането в сушилната, без да го претрупвате. След като изсъхне, бързо го извадете и го поставете на закачалка.	Да	Не
Outdoor		3 кг	За сушене на спортни облекла и тънки полиестерни тъкани	Да	Не
Time	Time Dry	3 кг	За сушене на артикули поотделно или за завършване на процеса на сушене на многослойни тъкани като например жилетки, възглавници или обемисти артикули. От мин. 10 мин. до макс. 150 мин. (на стъпки от по 10 мин.)	Да	Да
	Refresh	1 кг	За освежаване на дрехите или за премахване на миризми. От мин. 20 мин. до макс. 220 мин. (на стъпки от по 10 мин.)		

Програма		Максимално натоварване	скорост на центрофуга в об./мин./Остатъчна влага в %	Продълж. на програмата по подразбиране (min)
Cotton	Extra	8 kg	1000rpm / 60%	190
	Standard		1000rpm / 60%	140
	Iron		1000rpm / 60%	120
Mix		3.5 kg	1000rpm / 60%	110
Synthetics	Extra	3.5 kg	800rpm / 40%	100
	Standard		800rpm / 40%	90
Wool		1 kg	/	25
My Cycle		-	/	140
Bed Linen		4 kg	1000rpm / 60%	170
Baby Care		1 kg	1000rpm / 60%	85
Shirts		1 kg	1000rpm / 60%	80
Outdoor		3 kg	1000rpm / 60%	100
Time	Time Dry	3 kg	/	10
	Refresh	1 kg	/	20

Селекторът за програми

1. Когато LED дисплеят светне, завъртете селектора за програми, за да изберете желаната програма. 2. Изберете функциите [Time], [Signal], [Anti-Crease], [Delay], [Lamp], [Hygiene] или [Intensity] за допълнителни опции.
3. Натиснете бутона [Start/Pause].
4. Натиснете бутона [On/Off], след като програмата приключи.

Стартиране на програмата

Барабанът ще се завърти след стартирането на програмата. LED индикаторът на фазата на програмата ще светне и ще се покаже оставащото време.

Завършване на програмата

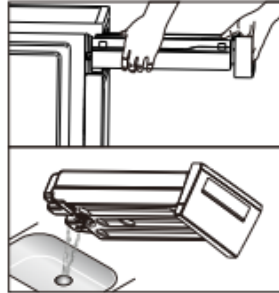
1. Барабанът ще спре да се върти след приключване на програмата. На екрана ще се покаже „0:00“ и съответният LED индикатор ще светне. Сушилнята ще активира функцията [Anti-Crease], ако прането не е извадено. След като извадите прането, натиснете [On/Off], за да изключите уреда, ако дисплеят свети. Сушенето е приключило, моля, изключете уреда от контакта. Отстранявайте неизправностите съгласно раздел „Отстраняване на неизправности“, ако по време на програмата за сушене се появи неочаквано спиране или ако сушилнята покаже код за грешка.

8. ПОДДРЪЖКА

Почистване и грижи

Изпразване на съда за вода

1. Извадете и дръжте контейнера за вода с двете си ръце.
2. Наклонете контейнера за вода и излейте кондензната вода в мивката.
3. Поставете отново контейнера за вода.

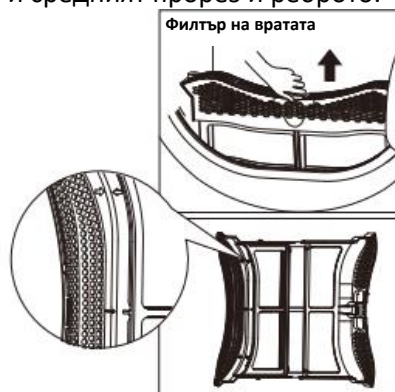


- Изпразвайте контейнера за вода след всяка употреба. След като контейнерът за вода се напълни, програмата ще бъде прекъсната и на дисплея ще се покаже съобщението „Ful“. След изпразване на съда, сушилнята може да бъде повторно включена чрез натискане на бутона [Start/Pause].
- Не пийте кондензираната вода.
- Не използвайте сушилнята без съда за вода.

Почистване на филтрите

Тази сушилня е оборудвана с филтър за мъх на вратата. Почиствайте филтъра на вратата след всяка употреба.

- За да се уверите, че двуслойният филтър може да бъде правилно затворен, стрелките в двата края трябва да бъдат подравнени, както и средният прорез и реброто.



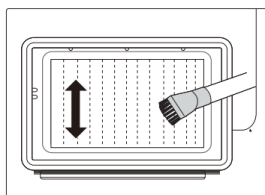
Почистване на въздушния филтър.

1. Отворете вратата.
2. Извадете филтъра от вратата.
3. Отворете филтъра и отстранете мъхчетата от него. Можете да го почистите под течаща вода.
4. Оставете филтъра да изсъхне добре, преди да го монтирате на мястото му.

Почистване на топлообменника

- Не докосвайте топлообменника с ръка, тъй като може да се нараните.

- Ако е необходимо, приблизително веднъж на всеки 3 месеца, отстранете мъхчетата от топлообменника с помощта на прахосмукачка или с четка.
- Почистете топлообменника, без да упражнявате натиск върху него. В противен случай топлообменникът може да се повреди. Сушилнята няма да изсъхне, ако охлаждащите ребра са повредени или огънати.




Почистване на сушилнята



- Изключете уреда от контакта, преди извършване на операциите по почистване!
- Избършете сушилнята само с кърпа, навлажнена с чиста вода.
- Не използвайте разтворители, абразивни почистващи препарати, почистващи препарати за стъкло или универсални почистващи препарати. Те могат да повредят пластмасовите повърхности и други компоненти.
- Моля, носете ръкавици, когато почиствате продукта.
- Пригответе кърпа, навлажнена с чиста вода.
- Почистете вратата, особено от вътрешната страна.
- Почистете уплътнителната гарнитура.
- Почистете сензора за влажност във вътрешността на ваната.
- Отстранете всички филтри, почистете уплътнението и отворите за циркулация на въздуха.
- Преди да стартирате сушилнята, избършете добре всички компоненти с мека кърпа.

9. ОТСТРАНЯВАНЕ НА НЕИЗПРАВНОСТИ

Много от повредите и неизправностите, които могат да възникнат по време на ежедневната експлоатация, могат лесно да бъдат отстранени. Това ще ви спести време и пари, тъй като няма да е необходимо да се свързвате със службата за техническа поддръжка. Следното ръководство може да ви помогне да откриете причината за дадена повреда и да я отстраните.

Дисплей	Причина	Решения
E32	Грешка на сензора за влажност	Извадете щепсела от контакта. Моля, свържете се със сервизния център, ако възникне неизправност.
E33	Грешка на температурния сензор	
E82	РСВ комуникационна грешка	
	Повреда на водната помпа или повреда на сензора за нивото на водата	Изпразнете контейнера
	Съдът е пълен	

- Ремонтите трябва да се извършват само от квалифицирани техници.
- Ако на LED екрана се появи друго съобщение и сушилнята не работи, извадете щепсела от контакта и се свържете със службата за техническа поддръжка.

Проблем	Решение
Дисплеят не светва	<ul style="list-style-type: none"> • Уверете се, че щепселът е свързан към източника на захранване. • Уверете се, че източникът на захранване с електроенергия работи. • Проверете избраната програма. • Натиснете бутона [On/Off].
 светва	<ul style="list-style-type: none"> • Проверете контейнера за вода. Ако е пълен, моля, излейте кондензната вода и рестартирайте сушилнята. • Ако контейнерът не е пълен, моля, рестартирайте директно сушилнята. • Ако иконата „ful“ продължава да свети след завършване на първите две стъпки, моля, свържете се със службата за техническа поддръжка.
 светва	<ul style="list-style-type: none"> • Почистете филтъра за мъх
Сушилнята не се стартира	<ul style="list-style-type: none"> • Свържете сушилнята към източника на захранване с електроенергия. • Включете сушилнята. • Уверете се, че вратата е затворена. • Уверете се, че програмата е настроена. • Натиснете бутона [Start/Pause].
Не е достигната желаната степен на сушене или времето за сушене е твърде дълго	<ul style="list-style-type: none"> • Почистете филтъра за мъх • Изпразване на контейнера за вода • Проверете дренажния маркуч. • Уверете се, че мястото за инсталиране е подходящо. • Поддържайте отвора за влизане на въздух чист. • Използвайте програма с по-високо ниво на интензивност на сушене или програма с подходяща продължителност.
Уредът издава бръмчене	<ul style="list-style-type: none"> • Компресорът работи. Тези шумове са нормални и не показват повреда.
Сушилнята спира в края на програмата	<ul style="list-style-type: none"> • Сушилнята се изключва автоматично, за да пести енергия. Това не е грешка, а нормална функция.

ТЕХНИЧЕСКИ ДАННИ

Благодарим Ви за закупуването на този продукт! Ако се нуждаете от помощ за вашия продукт, посетете нашия уебсайт, като използвате линковете по-долу.

Получете ръководства за употреба: <https://www.heinner.ro>

Получете информация за ремонт: <https://www.heinner.ro>

Изхвърляне на отпадъците по начин, отговорен за околната среда



Можете да помогнете за опазването на околната среда!

Моля спазвайте местните разпоредби: Предайте нефункциониращото електрическо оборудване на център за събиране на отпадъци от електрическо оборудване.



HEINNER е регистрирана марка на компанията **Network One Distribution SRL**. Останалите търговски марки и наименованията на продуктите са търговски марки или регистрирани търговски марки на съответните им притежатели.

Нито една част от спецификациите не може да бъде възпроизвеждана под каквато и да е форма или средство, или използвана за получаване на производни като преводи, трансформации или адаптации, без предварителното съгласие на компанията NETWORK ONE DISTRIBUTION.

Copyright © 2013 Network One Distribution. Всички права запазени.

www.heinner.com, <http://www.nod.ro>



Този продукт е проектиран и произведен в съответствие със стандартите и нормите на Европейската общност.



Вносител: **Network One Distribution**

ул. Марчел Янку № 3-5, Букурещ, Румъния

Тел: +40 21 211 18 56, www.heinner.com, www.nod.ro

HŐSZIVATTYÚS SZÁRÍTÓGÉP

Modell:

HHPD-M8K3SA++



- Hőszivattyús szárítógép
- Mosási kapacitás: 8 kg
- Energiaosztály: A++

HEINNER

1. BEVEZETŐ

Kérjük, figyelmesen olvassa el az utasításokat, és őrizze meg a kézikönyvet későbbi tanulmányozás céljából.

A kézikönyv célja a készülék beszerelésével, használatával és karbantartásával kapcsolatos minden szükséges tudnivalót rendelkezésére bocsátani. A készülék helyes és biztonságos használata érdekében, kérjük, hogy beszerelés és használat előtt olvassa el figyelmesen a használati kézikönyvet.

2. AZ ÖN CSOMAGJÁNAK TARTALMA

- ➔ Hőszivattyús szárítógép
- ➔ Használati kézikönyv
- ➔ Jótállási bizonylat

3. AZ ÖN CSOMAGJÁNAK TARTALMA

ÁLTALÁNOSSÁGOK

Ezt a hőszivattyús szárítógépet vízzel mosott, átlagos mennyiségű háztartási ruhanemű szárítására tervezték. Kizárólag magánhasználatra tervezték, és nem alkalmas kereskedelmi vagy közösségi használatra (pl. több család által egy lakótömbben).

- A készüléket csak a jelen kézikönyvben leírtak alapján használja.
- A készüléket kizárólag beltéri használatra tervezték.
- Minden más használat nem megfelelő, és anyagi károkat vagy akár személyi sérüléseket is okozhat.
- A gyártó nem vállal felelősséget a nem rendeltetésszerű használatból eredő károkért.

A készülék az I. védelmi osztálynak felel meg, és csak megfelelően felszerelt védővezetővel ellátott aljzathoz csatlakoztatható.

A készülék hálózatra történő csatlakoztatásakor ügyeljen arra, hogy a hálózati feszültség megfelelő legyen. További információk a műszaki adattáblán találhatóak.

Áramütés veszélye!

- Mielőtt a szárítógépet a hálózatra csatlakoztatja, győződjön meg arról, hogy a névtáblán szereplő paraméterek (biztosíték névleges értéke, feszültség és frekvencia) megegyeznek a hálózati tápegység paramétereivel. Ha kétségei vannak, kérjen segítséget szakképzett villanyszerelőtől.
- A szárítógép elektromos biztonsága csak akkor garantálható, ha a készüléket megfelelően földelik. Ennek a szabványos biztonsági követelménynek mindenképpen meg kell felelni. Ha kétségei vannak, kérjük, ellenőriztesse a háztartási villanyszerelést szakképzett villanyszerelővel. A gyártó nem vállal felelősséget a nem megfelelő földelés következményeiért (pl. ami áramütést okozhat).
- Ne húzza erővel a tápkábelt. Kérjük, csak az aljzaton húzza.
- Ne csatlakoztassa/húzza a dugót nedves kézzel.

- Ne hajlítsa meg, ne nyomja össze és ne sértse meg a tápkábelt és a dugót.
- A veszély elkerülése érdekében, a sérült tápvezetékot a gyártóval, ennek hivatalos márkaszervizével vagy egy hasonló szakképzettséggel rendelkező személlyel cseréltesse ki.

Figyelmeztetés: Tilos a készülék külső átkapcsoló rendszerrel (amilyen az időzítő) való ellátása vagy olyan áramkörhöz való csatlakoztatása, amelyet a közüzemi szolgáltató szabályos időközönként be és kikapcsol.

- Ne csatlakoztassa a készüléket hosszabbító, többdugós adapter vagy hasonló eszköz segítségével a hálózathoz.
- A konnektornak mindig hozzáférhetőnek kell lennie ahhoz, hogy a szárítógépet le lehessen választani a hálózatról.
- Ha a készülék természetellenesen felmelegedik, kérjük, húzza ki a dugaszt a csatlakozóból.

Balesetveszély

Ne szerelje a készüléket egy elzárható ajtó, egy tolóajtó vagy a szárító ajtajával ellentétes oldalon lévő ajtópánntal ellátott ajtó mögé, mely akadályozza a szárító ajtajának teljes kinyitását.

- Ne szerelje szét vagy szerelje be a szárítót utasítás vagy felügyelet nélkül.
- Ne helyezze a szárítógépet a mosógépre egy speciális felszerelési kit használata nélkül. Ha ezt a szárítót mosógépre kívánja szerelni, kérjük, vásárolja meg a szükséges különálló alkatrészeket. A veszélyek elkerülése érdekében a beszerelést a gyártónak, annak szervizének vagy hasonlóan képzett személyeknek kell elvégezniük.
- Ne támaszkodjon a szárítógép nyitott ajtajához.
- A kondenzvíz nem ivóvíz. Fogyasztása esetén egészségügyi problémákat okozhat mind az emberek, mind az állatok számára.

Megrongálódási veszély

Ne tegyen a gépbe a jelen használati útmutatóban megadottnál nagyobb terhelést.

- Ne használja a szárítógépet az ajtószintű szűrő nélkül.
- Ne szárítsa a ruhákat a centrifugában való kicsavarás előtt.
- Ne tegye ki a szárítógépet közvetlen napfénynek.
- Ne szerelje a szárítógépet nedves közegekbe.
- A tisztítási vagy karbantartási műveletek elvégzése előtt ne felejtse el kihúzni a dugót a konnektorból. Ne permetezzen vizet közvetlenül a szárítógép felé.
- A használat vagy a szokásos karbantartás időtartama alatt nem szükséges a készülék felborítása.

Robbanás- és tűzveszély

Kérjük, ne szárítson olyan ruhákat, amelyek gyúlékony anyagokkal, például kerozinnal vagy alkohollal érintkeztek. Ellenkező esetben robbanás következhet be.

- A készülék környezetbarát, de gyúlékony R290 hűtőközeget tartalmaz. Tartsa a terméket nyílt lángtól és más gyújtóforrásoktól távol.
- Ne szárítsa a ruhákat a készülékben, ha kémiai anyagokat használt a tisztításukra.
- Ne használja a szárítót mosatlan árucikkek szárítására.

- Olyan ruhadarabok szárítása előtt, melyek étolajjal, acetonnal, alkohollal, benzinnel, világítógázzal, folteltávolító anyagokkal, terpentinnel, viaszos anyagokkal és viasz eltávolító anyagokkal szennyezettek a mosásnál használjon forró vizet és növelje a felhasználandó mosószer mennyiségét.
- A készülékben tilos a szivacsos gumiból (latex habból) készült ruhadarabok, a zuhanyozósapkák, a vízálló anyagból készült és gumírozott anyaggal bélelt ruházati cikkek és gumiszivaccsal töltött párnák szárítása.
- A balzsamokat vagy a hasonló termékeket használja a rájuk vonatkozó utasításoknak megfelelően.
- Az olajjal szennyezett árucikkek maguktól meggyulladhatnak, legfőképp akkor, amikor olyan hőforrásnak vannak kitéve, mint a ruhaszárító gépe. Az árucikkek felmelegednek, ami az olaj oxidálásához vezet. Az oxidáció hőt idéz elő. Ha a hő nincs kieresztve, az árucikkek felmelegedhetnek és meggyúlnak. Az olajjal szennyezett árucikkek felhalmozása és zsúfolása megakadályozza a hő eltávolodását, és tűzveszélyt idéz elő.
- Szedjen ki a zsebekből minden tárgyat, mint a gyújtók és a gyufák.
- Ha elkerülhetetlen, hogy a növényi (vagy főző) olajat tartalmazó vagy hajápoló szerekkel szennyeződött textíliákat ruhaszárító gépben szárítsa, ezeket előbb mossa meg mosószerrel forró vízben – ez a művelet csökkenti, de nem számolja fel a kockázatot.

FIGYELMEZTETÉS:

- A szárítási ciklus befejezése előtt ne állítsa meg a ruhaszárítót, csak abban az esetben, ha a ruhákat hamar kiveszi a gépből, és a hőelosztás érdekében kiteríti.
- Ne zárja el a készülék bármely nyílását.
- Tisztítsa gyakran a foszlányszűrőt.
- Ne hagyja a foszlányokat összegyűlni a ruhaszárító gépben.

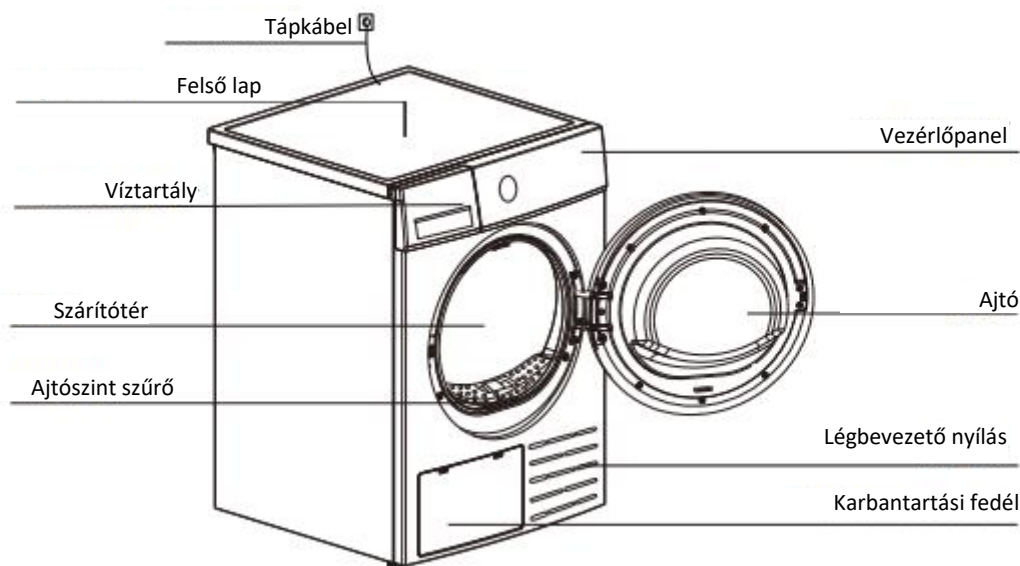
Gyermekek biztonsága

- A készüléket 8 év fölötti gyermekek, csökkent fizikai, érzéki vagy szellemi képességekkel, gyakorlattal vagy ismeretekkel rendelkezők csak akkor használhatják, ha felügyelik, vagy felkészítik őket a készülék biztonságos használatára, és ha megértik a készülék használatával járó veszélyeket. Tilos gyermekeknek játszani a készülékkel. A készülék tisztítását és karbantartását nem végezhetik gyermekek felügyelet nélkül.
- A gyerekek esetében állandó felügyelet szükséges, ne engedje, hogy a készülékkel játsszanak.
- Tartsa távol a készüléktől a 3 évnél kisebb gyermekeket, ha nincsenek állandó felügyelet alatt.
- Minden használat után zárja be a készülék ajtaját.

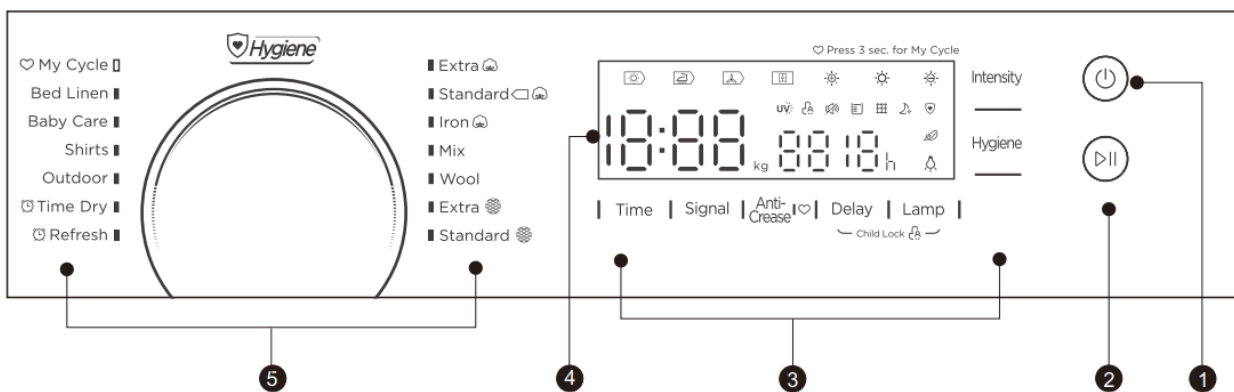
Ezzel elkerülheti a következő veszélyeket:

1. Gyermekek felmászása a szárítóra vagy a szárító belsejébe, illetve tárgyak elrejtése a szárító belsejében.
2. Házállatok vagy más kisállatok bekerülése a készülék belsejébe.

4. A TERMÉK LEÍRÁSA



5. VEZÉRLŐPANEL

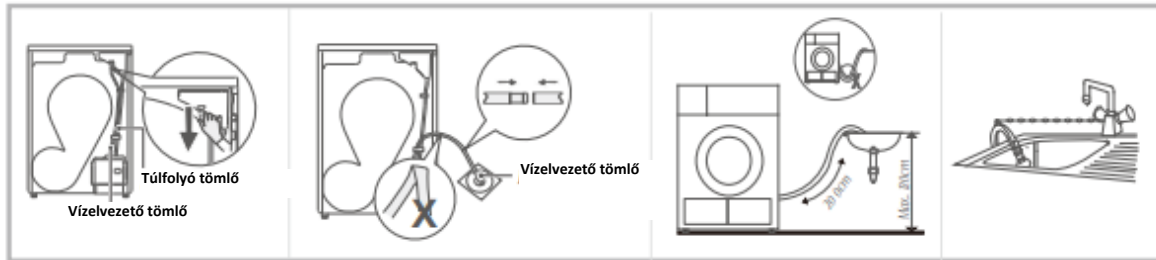


1. Bekapcsolás
Gomb a termék be- és kikapcsolásához.
2. Indítás/Leállítás
Nyomja meg ezt a gombot a szárítási program indításához vagy leállításához.
3. Opciók
Ezek a gombok további funkciók beállítására szolgálnak.
4. Kijelző
A kijelzőn a szárító beállítása, a program befejezésének becsült ideje és állapotüzenetek jelennek meg.

5. Programok

Különböző szárítási programok választhatók a felhasználók igényeitől és a szárítandó ruhák típusától függően.

6. BESZERELÉS



- Távolítsa el a leeresztő tömlőt a felső részen keresztül.
- Helyezze a külső lefolyótömlőt a padlólefolyóba.
- Helyezze a tömlőtartót a mosogatóba vagy bármely más lefolyóba.

Szállítás

- Szállítsa a készüléket figyelmesen.
- Ne fogja a készülék kiemelkedő részeitől fogva.
- A készülék ajtóját ne használja fogantyúként. Ha a szárító nem szállítható függőlegesen, akkor 30°-nál kisebb mértékben jobbra dönthető. Baleset- és sérülésveszély! A készülék nem megfelelő kezelése sérülést okozhat.
- A gép nagyon nehéz. Soha ne cipelje vagy vigye a gépet egyedül; mindig kérjen segítséget egy másik személytől.
- Távolítson el minden akadályt a szállítási útvonalról és a felállítási helyről, pl. nyissa ki az ajtókat, és távolítsa el a padlóról a tárgyakat.
- Ne használja a nyitott ajtót beszorítási pontként.
- A gép használata előtt távolítsa el az összes csomagolást.
- A szárítógép beszerelése előtt győződjön meg arról, hogy nincsenek nyilvánvaló sérülések. Ne telepítsen vagy használjon sérült szárítógépet.
- Ne telepítse a szárítógépet olyan helyiségbe, ahol fennáll a fagyveszély. Fagyponthoz közeli hőmérsékleten a szárítógép nem biztos, hogy megfelelően fog működni.
- Fennáll a veszélye annak, hogy a készülék tönkremegy, ha a kondenzvíz befagy a szivattyúba és a tömlőkbe.

Beépítési pozíció

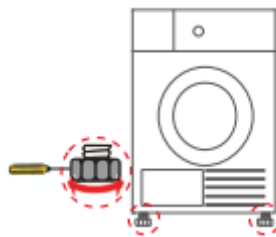
- A gyerekek beleakadhatnak a fóliába, vagy lenyelhetik az apró részeket, és megfulladhatnak. Ne engedje, hogy a gyerekek a csomagolással játszanak.
- Ne szerelje a készüléket egy elzárható ajtó, egy tolóajtó vagy a szárító ajtójával ellentétes oldalon lévő ajtópanntal ellátott ajtó mögé, mely akadályozza a szárító ajtójának teljes kinyitását.
- Ne tömje el a készülék alatti teret vastag szőnyegekkel, fadesszkával vagy más anyagokkal. Ez a hő elhalmazásához vezet, és kihat a készülék működésére.

1. Kényelme érdekében javasoljuk, hogy a szárítógépet a mosógép közelében helyezze.
2. Ne helyezze a szárítógépet a mosógépre egy speciális felszerelési kit használata nélkül. Ha ezt a szárítót mosógépre kívánja szerelni, kérjük, vásárolja meg a szükséges különálló alkatrészeket. A veszélyek elkerülése érdekében a beszerelést a gyártónak, annak szervizének vagy hasonlóan képzett személyeknek kell elvégezniük.
3. A ruhaszárítógépet tiszta helyre szerelje fel, ahová nem gyűl össze szennyeződés. Biztosítsa a levegő készülék körüli szabad áramlását. Ne takarja el a készülék első és hátsó részén található beeresztő nyílásokat.
4. A szárítógép működése közben keletkezett rezgések és zaj csökkentésére, helyezze a készüléket szilárd és egyenes felületre.
5. Ne szerelje le a készülék lábait.



A készülék kiegyensúlyozása

A készülék beállítása után vízmérték segítségével győződjön meg, hogy egyenesen áll. Ha a készülék nem áll egyenesen, egy szerszám segítségével állítsa be a lábait.



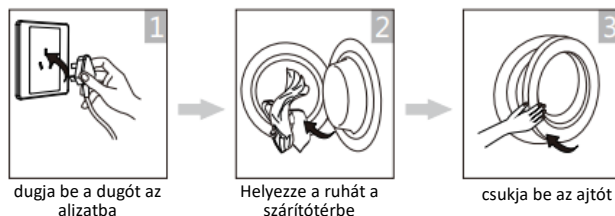
Csatlakoztatás tápegységhez

1. Győződjön meg, hogy a tápforrás feszültsége megegyezik a szárítón feltüntetett feszültséggel.
2. Ne csatlakoztassa a készüléket a hálózathoz hosszabbító, többcsatlakozós adapter vagy hasonló eszköz segítségével.
 - A szállítás után két óráig hagyja a készüléket lábon állva. Az első használat előtt egy puha ronggyal tisztítsa ki a dob belsejét.
1. Helyezzen néhány tiszta rongyot a dobba.
2. Helyezze a dugaszt a csatlakozóba és nyomja meg az [On/Off] gombot.
- c) Válassza ki a [Refresh] gombot, majd nyomja meg a [Start/Pause] gombot.
4. A program befejezése után az ajtószűrő tisztításához olvassa el a „Tisztítás és ápolás” című fejezetet.
 - Szárítás közben a kompresszor és a víz zajokat ad, de ez a normális.

7. HASZNÁLATI MÓD

Használat előtt győződjön meg arról, hogy a szárítógép megfelelően van-e felszerelve.

Szárítás előtt

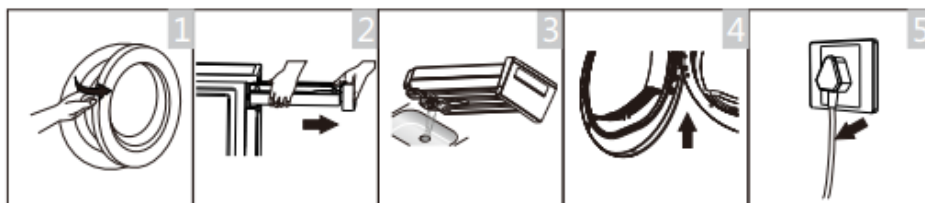


Szárítás



Szárítás után

A készülék hangjelzést ad, és a kijelzőn megjelenik az „End” felirat.



- Nyissa ki az ajtót, és vegye ki a ruhákat.
- Vegye ki a víztartályt.
- Öntse ki a kondenzvizet.
- Tisztítsa meg a szűrőt.
- Kapcsolja ki a készüléket.

Minden szárítás előtt

1. Szárítás előtt a mosógép segítségével csavarja jól ki a ruhákat. A nagy centrifugáló sebesség lerövidítheti a száradási időtartamot és a villamos energia fogyasztást.
2. A ruhák egyenletes száradása érdekében válogassa szét a ruhákat az anyag típusa és a szárítási program szerint.
3. A ruhák szárítása előtt zárja be a cipzárat, a kapcsokat, a gombokat, textília öveket stb.
4. Szedjen ki a zsebekből minden tárgyat, mint a gyújtók és a gyufák.
5. Varrja vagy távolítsa el a melltartó drótjait.
6. Zárja be a paplan és a párnahuzatokat, hogy megakadályozza, hogy apró tárgyak beléjük tekeredjenek.
7. Hagyja nyitva a kabátokat, és húzza ki a hosszú cipzárat, hogy a textíliák egyenletesen száradjanak.
8. Ne szárítsa túl a ruhákat, mivel a túlszártott ruhák könnyen gyűrődnek.
9. Ne szárítsa a gumit vagy hasonló rugalmas anyagokat tartalmazó cikket.
10. Tartsa tisztán a szárítógép környékét. A szénpor robbanást okozhat.

11. Csak a szárítógép programjának befejezése után nyissa ki az ajtót, hogy elkerülje a forró gőz vagy a túlmelegedett szárítógép okozta leforrázást.
12. A szárítási időtartam és az energiafogyasztás megnövekedésének elkerülése érdekében minden használat után tisztítsa ki a foszlányszűrőt és ürítse ki a víztároló edényt.
13. Ne szárítson vegyszeti úton tisztított ruhákat.

Száraz ruhák standard súlya (darabonkénti súly)

 Pulóver (vegyes szálás 800 g)	 Kabát (pamut 800 g)	 Farmernadrág (800 g)	 Füredőtörölköző (pamut 900 g)
 Ágynemű (pamut 600 g)	 Munkaruha (1120 g)	 Pizsamák (200 g)	 Ing (pamut 300 g)
 Póló (pamut 180 g)	 Fehérnemű (pamut 70 g)	 Zoknik (vegyes szövet 50 g)	

- Ne tegyen a megadottnál nagyobb terhelést a gépbe.
- Ne szárítson olyan ruhát, amelyből csöpög a víz. A szárítógép megsérülhet.
- Csak olyan ruhát szárítson, amely alkalmas a készülékkel történő szárításra.

Kövesse a ruhák ápolására szolgáló címkéken található utasításokat:



A cikk alkalmas szárítógépben való szárításra.



Szárítás normál hőmérsékleten: a szárítóban történő szárítás normál terhelési körülmények között és 80°C-os hőmérsékleten lehetséges.



Közepes hőmérsékleten történő szárítás: a szárítógépben történő szárításnál óvatosság ajánlott. Válassza a közepes hőmérsékletű szárítást alacsony hőhatással.



Ne szárítsa szárítógépben: nem alkalmasak szárítógépben szárításra.

Funkciók



Delay

Ezzel a funkcióval a szárítási program indítása legfeljebb 12 órával késleltethető.

Az időzítő aktiválásakor a kijelzőn megjelenik a hátralévő idő, és a funkció ikonja villog.

1. Helyezze a ruhákat a szárítóba, és győződjön meg róla, hogy a szárító ajtaja zárva van.

2. Nyomja meg a [On/Off] gombot, majd a programválasztóval válassza ki a kívánt programot.

3. Igényeitől függően választhatja továbbá a [Anti-Crease] vagy [Intensity] funkciókat.

4. Nyomja meg a [Delay] gombot.

5. Nyomja meg többször a [Delay] gombot a kívánt késleltetési idő kiválasztásához.

6. A [Start/Pause] gomb megnyomása után a szárító működni kezd. Az időzítés időtartamának lejártakor a szárítás automatikusan elindul.

7. A [Start/Pause] gomb újbóli megnyomásakor megszakad az időzítő üzemmód.

8. Az időzítő üzemmód érvénytelenítésére nyomja meg az [On/Off] gombot.



Time

Ha a [Time] (Idő) van kiválasztva, a gombbal 10 perces lépésekben lehet beállítani a szárítási időt.



Intensity

A [Intensity] gomb megnyomásával beállíthatja a ruhanemű szárításának szintjét.

1. Az Intensity funkció csak a program indítása előtt aktiválható.
2. A szárítási szint növeléséhez nyomja meg többször a [Intensity] gombot.
3. A [Cotton Iron], [Wool] és [Time] programok kivételével az összes többi program az [Intensity] funkcióval állítható be.



Anti-Crease

A szárítási program végén 60 percig vagy 120 percig (ha ezt az időtartamot választja) aktiválódik a gyűrődésgátló üzemmód (magától értetődően).

Ez a funkció megelőzi a ruhák összegyűrődését. A ruhák a gyűrődésgátló üzemmód működése közben kivehetők. A [Wool] és a [Refresh] kivételével az összes többi program rendelkezik ezzel a funkcióval.



Lamp

A szárítótér-lámpa a gomb megnyomásakor 3 percig, illetve nyitott ajtó esetén 1 percig világít.



Signal

Ki- vagy bekapcsolja a hangjelzést. Alapértelmezés szerint a hangjelzés be van kapcsolva.

Amikor a hangjelzés be van kapcsolva:

1. A szárítógép hangjelzéssel megerősíti, hogy megnyomta a gombot a funkciók kiválasztásához.
2. Ha a programválasztót a szárítógép működése közben elfordítja, a hangjelzés emlékezteti Önt, hogy ez egy érvénytelen művelet.
3. A szárítási program végén a zúgó rövid hangjelzéssel jelez.



Hygiene

A program kiválasztása után kiválaszthatja a „Hygiene” funkciót az Ön preferenciáinak megfelelően.

Nyomja meg a [Hygiene] gombot a funkció kiválasztásához. Nyomja meg újra a gombot a törléshez. A „Hygiene” funkció kiválasztása után a ruhák sterilizálódnak a szárítási folyamat során, így tisztábbak és biztonságosabbak lesznek. Ezt a funkciót óvatosan használja könnyű, érzékeny vagy vékony ruhák esetén.



Child Lock

1. A készülék el van látva a gyermekek használata elleni védelmi üzemmóddal, amely megelőzi a készülék gombjainak gyermekek általi használatát.
2. Amikor a szárítási program folyamatban van, nyomja meg és tartsa lenyomva egyszerre 3 másodpercig a [Delay] és a [Lamp] gombot a gyermekzár funkció aktiválásához.
3. Amikor a gyermekzár funkció aktív, a kijelzőn megjelenik a funkció ikonja, és a [On/Off] gomb kivételével minden gomb ki van kapcsolva.
4. A gyermekzár funkció kikapcsolásához tartsa nyomva egyszerre 3 másodpercig a [Delay] és a [Lamp] gombokat.

Programok

Program		Maximális terhelés	Használat/jellemzők	Delay	Time
Cotton	Extra	8 kg	Teljes szárításhoz pamutruhák közvetlen tárolására egy vagy több rétegben.	Igen	Nem
	Standard				
	Iron		Így az egy rétegben lévő pamut ruhanemű nedves marad a vasaláshoz.		
Mix		3,5 kg	Vegyes pamut és szintetikus szövetekhez.	Igen	Nem
Synthetics	Extra	3,5 kg	Vastag szintetikus vagy többrétegű szövetekhez, amelyeknek teljesen száraznak kell lenniük.	Igen	Nem
	Standard		Vékony, vasalást nem igénylő szintetikus textíliák, például könnyen ápolható ingek, babaruhák vagy zoknik szárításához.		
Wool		1 kg	A gépben mosható gyapjútermékek kíméletes szárítása. A végső nedvességtartalom a rakomány méretétől és a fonás utáni nedvességtartalomtól függ.	Igen	Nem
My Cycle		-	A kedvenc program meghatározása és mentése	Igen	-
Bed Linen		4 kg	Ágynemű, lepedők vagy más nagyméretű tárgyak szárításához.	Igen	Nem
Baby Care		1 kg	Kis mennyiségű gyermekruházat szárításához	Igen	Nem
Shirts		1 kg	Könnyen tisztítható ruhákhoz, mint például ingek és vasalástűrő felsőkhöz, a vasalási erőfeszítés minimalizálása érdekében. A ruhákat csomósodás nélkül helyezze a szárítóba. Ha megszáradtak, gyorsan vegye ki őket, és helyezze őket akasztóra.	Igen	Nem
Outdoor		3 kg	Sportruházat és vékony poliészter szövetek szárításához	Igen	Nem
Time	Time Dry	3 kg	Egyedi tárgyak szárításához vagy többrétegű szövetek, például kabátok, párnák vagy terjedelmes tárgyak szárítási folyamatának befejezéséhez. Min. 10 perc és max. 150 perc között (10 perces lépésekben).	Igen	Igen
	Refresh	1 kg	A ruhák felrisszítésére vagy a szagok eltávolítására. Min. 20 perc és max. 220 perc között (10 perces lépésekben).		

Program		Maximális terhelés	Centrifugálási sebesség rpm-ben / Maradék nedvesség %	Ciklus időtartama
Cotton	Extra	8 kg	1000rpm / 60%	190
	Standard		1000rpm / 60%	140
	Iron		1000rpm / 60%	120
Mix		3.5 kg	1000rpm / 60%	110
Synthetics	Extra	3.5 kg	800rpm / 40%	100
	Standard		800rpm / 40%	90
Wool		1 kg	/	25
My Cycle		-	/	140
Bed Linen		4 kg	1000rpm / 60%	170
Baby Care		1 kg	1000rpm / 60%	85
Shirts		1 kg	1000rpm / 60%	80
Outdoor		3 kg	1000rpm / 60%	100
Time	Time Dry	3 kg	/	10
	Refresh	1 kg	/	20

Programválasztó

1. Amikor a LED kijelző kigyullad, forgassa el a programválasztót a kívánt program kiválasztásához.
2. Válassza ki az [Time], [Signal], [Anti - Crease], [Delay], [Lamp], [Hygiene] vagy [Intensity] funkciókat a további lehetőségekhez.
3. Nyomja meg a [Start/Pause] gombot.
4. Nyomja meg a [Be/Ki] gombot, amikor a program befejeződött.

A program elindítása

A dob a program indítása után forogni fog. A programfázis LED világít, és megjelenik a hátralévő idő.

A program befejezése

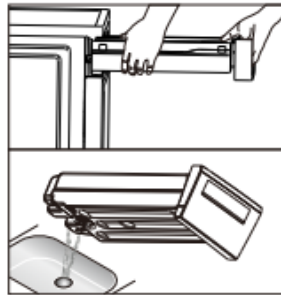
1. A program befejezése után a dob leáll. A kijelzőn "0:00" jelenik meg, és a megfelelő LED-kijelző világít. A szárítógép aktiválja a [Anti-Crease] funkciót, ha a ruhanemű nem kerül eltávolításra. A ruhanemű eltávolítása után nyomja meg a [On/Off] gombot a készülék kikapcsolásához, ha a kijelző világít. A szárítás befejeződött, kérjük, húzza ki a készüléket a konnektorból.
- Vizsgálja meg a hibákat a „Hibaelhárítás” című fejezet szerint, ha a szárítási program során váratlan leállás következik be, vagy ha a szárítógép hibakódot jelenít meg.

8. KARBANTARTÁS

Tisztítás és gondozás

A víztartály kiürítése

1. Vegye ki a víztartályt, és fogja meg mindkét kezével.
2. Döntse meg a víztartályt, és öntse a kondenzvizet a mosogatóba.
3. Helyezze vissza a víztartályt.

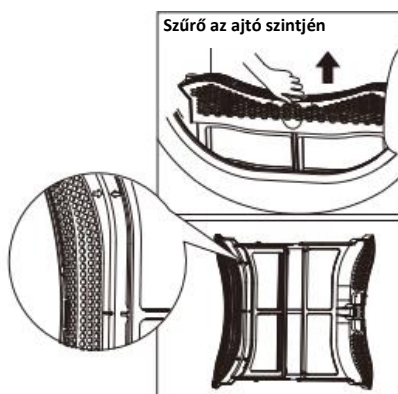


- Minden használat után ürítse ki a víztartályt. Ha a víztartály megtelt, a program megszakad, és a kijelzőn a „Ful” üzenet jelenik meg. Az edény kiürítése után a [Start/Pause] gomb megnyomásával újraindíthatja a szárítógépet.
- Ne igya meg a kondenzvizet.
- Ne használja a szárítógépet a vízfelfogó edény nélkül.

Szűrők tisztítása

Ez a szárítógép szőszszűrővel van felszerelve az ajtónál. Minden használat után tisztítsa meg az ajtószintű szűrőt.

- Annak érdekében, hogy a kétrétegű szűrő megfelelően zárható legyen, a két végén lévő nyílaknak, valamint a középső nyílásnak és a bordának egy vonalban kell lenniük.

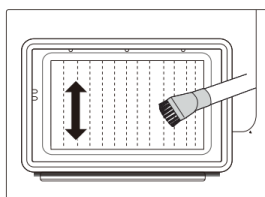


A légszűrő tisztítása.

1. Nyissa ki az ajtót.
2. Vegye ki a szűrőt az ajtóból.
3. Nyissa ki a szűrőt, és távolítsa el a szőszöket a szűrőből. Folyó víz alatt tisztíthatja meg.
4. Hagyja a szűrőt alaposan megszáradni, mielőtt a helyére illesztené.

Hőcserélő tisztítása

- Ne érintse meg kézzel a hőcserélőt, mert megsérülhet.
- Szükség szerint, körülbelül 3 havonta egyszer, porszívóval vagy kefével távolítsa el a szőszöket a hőcserélőből.
- A hőcserélőt úgy tisztítsa, hogy ne gyakoroljon rá nyomást. Ellenkező esetben a hőcserélő megsérülhet. A szárító nem szárad meg, ha a hűtőbordák sérültek vagy meghajlottak.




A szárítógép tisztítása



- Tisztítás előtt húzza ki a gépet a hálózathoz!
- A szárítógépet csak tiszta vízzel nedvesített ruhával törölje át.
- Ne használjon oldószereket, súrolószereket, üvegtisztítószereket vagy általános tisztítószereket. Ezek károsíthatják a műanyag felületeket és más alkatrészeket.
- A termék tisztításakor viseljen kesztyűt.
- Készítsen tiszta vízzel nedvesített ruhát.
- Tisztítsa meg az ajtót, különösen a belsejét.
- Tisztítsa meg a tömítést.
- Tisztítsa meg a páratartalom-érzékelőt a tartály belsejében.
- Távolítsa el az összes szűrőt, tisztítsa meg a tömítést és a légkeringető nyílásokat.
- A szárító beindítása előtt törölje át alaposan az összes alkatrészt egy puha ruhával.

9. HIBAEELHÁRÍTÁS

A mindennapi működés során fellépő hibák és üzemzavarok közül számos könnyen orvosolható. Ezzel időt és pénzt takaríthat meg, mivel nem kell a szervizhez fordulnia. Az alábbi útmutató segíthet megtalálni a hiba okát és kijavítani azt.

Kijelző	Ok	Megoldások
E32	Páratartalom érzékelő hiba	Húzza ki a tápkábel dugaszát a fali csatlakozóaljzatból A probléma felmerülése esetén forduljon a szervizközponthoz.
E33	Hőmérséklet-érzékelő hiba	
E82	PCB kommunikációs hiba	
	A vízpumpa vagy a vízszint érzékelő meghibásodása	Ürítse ki az edényt
	Az edény tele van	

- A javításokat csak szakemberek végezhetik.
- Ha a LED kijelzőn más üzenet jelenik meg, és a szárító nem működik, húzza ki a csatlakozót és lépjen kapcsolatba a műszaki ügyfélszolgálattal.

Probléma	Megoldás
A kijelző nem világít	<ul style="list-style-type: none"> • Győződjön meg róla, hogy a dugaszt csatlakoztatta az áramforráshoz. • Győződjön meg róla, hogy a tápegység működik. • Ellenőrizze a kiválasztott programot. • Nyomja meg az "On/Off" gombot.
 világít	<ul style="list-style-type: none"> • Ellenőrizze a víztartályt. Ha megtelt, öntse ki a kondenzvizet, és indítsa újra a szárítót. • Ha a tartály nem telt meg, kérjük, indítsa újra közvetlenül a szárítót. • Ha az első két lépés után is világít a „ful” ikon, kérjük, lépjen kapcsolatba a műszaki ügyfélszolgálattal.
 világít	<ul style="list-style-type: none"> • Tisztítsa meg a szőszszűrőt
A szárító nem indul el	<ul style="list-style-type: none"> • Csatlakoztassa a szárítógépet a tápegységhez. • Kapcsolja be a szárítógépet. • Győződjön meg róla, hogy az ajtó zárva van. • Ellenőrizze, hogy a program be van-e állítva. • Nyomja meg a [Start/Pause] gombot.
Nem sikerült elérni a kívánt száradási fokot, vagy a szárítási idő túl hosszú volt.	<ul style="list-style-type: none"> • Tisztítsa meg a szőszszűrőt • Ürítse ki a víztartályt • Ellenőrizze a lefolyótömlőt. • Győződjön meg arról, hogy a telepítési hely megfelelő. • Tartsa tisztán a levegőbeömlő nyílást. • Használjon magasabb szárítási intenzitású programot vagy megfelelő időtartamú programot.
A gép zúgó hangot ad ki	<ul style="list-style-type: none"> • A kompresszor működik. Ezek a zajok normálisak, és nem utalnak hibára.
A szárító kikapcsol a program végén	<ul style="list-style-type: none"> • A szárító az energiatakarékosság érdekében automatikusan kikapcsol. Ez nem hiba, hanem normális funkció.

Köszönjük, hogy megvásárolta termékünket! Ha segítségre van szüksége a termékkel kapcsolatban, kérjük, látogasson el weboldalunkra az alábbi linkek segítségével.

Használati útmutatók beszerzése: <https://www.heinner.ro>

Javítási információk letöltése: <https://www.heinner.ro>

A hulladékok környezetfelelős eltávolítása



Segíthet a környezet védelmében!

Kérjük, tartsa be a helyi rendelkezéseket: a nem működő elektromos berendezéseket a használt elektromos hulladékokat gyűjtő központba szolgáltatassa be.



A **HEINNER** a **Network One Distribution SRL(KFT)** társaság által bejegyzett védjegy. A többi márkajelzés és a termékek megnevezése kereskedelmi vagy az illető birtoklók által bejegyzett márkanevek.

A leírtak egyetlen része sem használható fel semmilyen formában, még lefordított, átalakított változatban sem, a NETWORK ONE DISTRIBUTION előzetes beleegyezése nélkül.

Copyright © 2013 Network One Distribution. Minden jog fenntartva.

www.heinner.com, <http://www.nod.ro>



A terméket az Európai Közösség előírásainak és jogszabályainak megfelelően tervezték és gyártották.



Importőr: **Network One Distribution**

Marcel Iancu utca, 3-5 szám, Bukarest (București), Románia

Tel: +40 21 211 18 56, www.heinner.com, www.nod.ro