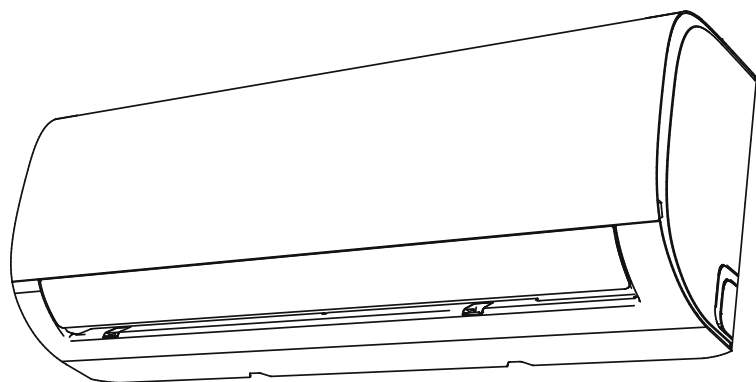


Split-type room air conditioner

User Manual



BRVPF 090 | BRVPF 091 | BRVPF 120 | BRVPF 121
BRVPG 090 | BRVPG 091 | BRVPG 120 | BRVPG 121

EN | RO

beko







Please read this user manual first!

Dear Customer,

Thank you for preferring a Beko product. We hope that you get the best results from your product which has been manufactured with high quality and state-of-the-art technology. Therefore, please read this entire user manual and all other accompanying documents carefully before using the product and keep it as a reference for future use. If you handover the product to someone else, give the user manual as well. Follow all warnings and information in the user manual.

Meanings of the symbols

Following symbols are used in the various section of this manual:

	Important information or useful hints about usage.		Warning for electric shock.
	Warning for hazardous situations with regard to life and property.		Warning for danger of fire.
	Warning to actions that must never perform.		Warning for hot surfaces.



This product has been produced in environmentally friendly, modern facilities

Complies with the WEEE Regulation.



Does not contain PCB.

CONTENTS

1	Safety instructions	4
2	Unit specifications and features	7
2.1	Unit parts	7
2.2	Achieving optimal performance	8
2.3	Inverter split type	8
2.4	Fixed-speed type	9
2.5	Other features	9
3	Manual operation (without remote)	13
3.1	How to operate your unit without the remote control	13
4	Care and maintenance	14
4.1	Cleaning your indoor unit	14
4.2	Cleaning your air filter	14
4.3	Air filter reminders (optional)	16
4.4	Maintenance - long periods of non-use	17
4.5	Maintenance -pre-season inspection	18
5	Troubleshooting	19
5.1	Common issues	19
5.2	Troubleshooting	21
6	European disposal guidelines	23
7	Installation instructions	24
7.1	F-Gas instruction	24
8	Specification	25

1 Safety instructions

Read safety precautions before installation

Incorrect installation due to ignoring instructions can cause serious damage or injury.

The seriousness of potential damage or injuries is classified as

Warning.

Warning

- This appliance can be used by children aged from 8 years and above and persons with reduced physical, sensory or mental capabilities or lack of experience and knowledge if they have been given supervision or instruction concerning use of the appliance in a safe way and understand the hazards involved. Children shall not play with the appliance. Cleaning and user maintenance shall not be made by children without supervision.

Installation warnings

- Ask an authorized dealer to install this air conditioner. Inappropriate installation may cause water leakage, electric shock, or fire.
- All repairs, maintenance and relocation of this unit must be performed by an authorized service technician. Inappropriate repairs can lead to serious injury or product failure.

Warnings for product use

- If an abnormal situation arises (like a burning smell), immediately turn off the unit and pull the power plug. Call your dealer for instructions to avoid electric shock, fire or injury.
- **Do not** insert fingers, rods or other objects into the air inlet or outlet. This may cause injury, since the fan may be rotating at high speeds.

1 Safety instructions

- **Do not** use flammable sprays such as hair spray, lacquer or paint near the unit. This may cause fire or combustion.
- **Do not** operate the air conditioner in places near or around combustible gases. Emitted gas may collect around the unit and cause explosion.
- **Do not** operate the air conditioner in a wet room (e.g., bathroom or laundry room). This can cause electrical shock and cause the product to deteriorate.
- **Do not** expose your body directly to cool air for a prolonged period of time.

Electrical warnings

- Only use the specified power cord. If the power cord is damaged, it must be replaced by the manufacturer or certified service agent.
- Keep power plug clean. Remove any dust or grime that accumulates on or around the plug. Dirty plugs can cause fire or electric shock.
- **Do not** pull power cord to unplug unit. Hold the plug firmly and pull it from the outlet. Pulling directly on the cord can damage it, which can lead to fire or electric shock.
- **Do not** use an extension cord, manually extend the power cord, or connect other appliances to the same outlet as the air conditioner. Poor electrical connections, poor insulation, and insufficient voltage can cause fire.

Cleaning and maintenance warnings

- Turn off the device and pull the plug before cleaning. Failure to do so can cause electrical shock.

1 Safety instructions

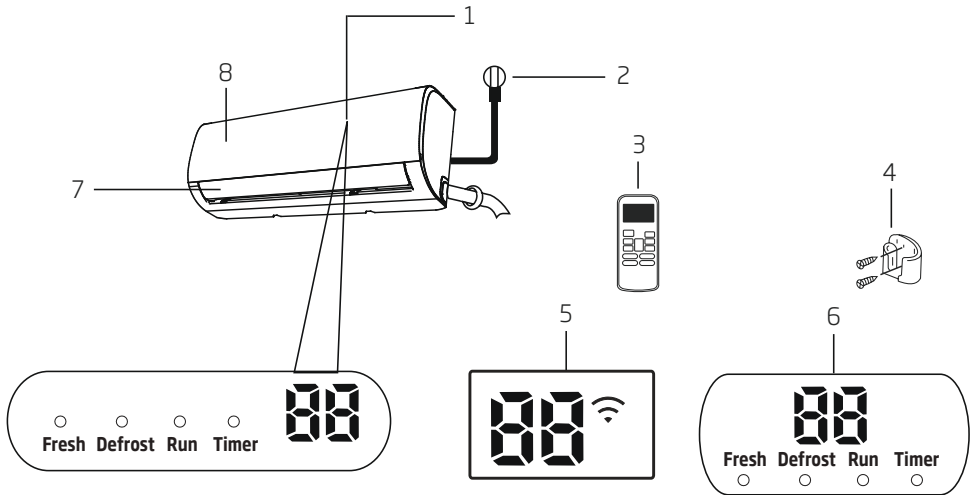
- **Do not** clean the air conditioner with excessive amounts of water.
- **Do not** clean the air conditioner with combustible cleaning agents. Combustible cleaning agents can cause fire or deformation.

Warning

- If the air conditioner is used together with burners or other heating devices, thoroughly ventilate the room to avoid oxygen deficiency.
- Turn off the air conditioner and unplug the unit if you are not going to use it for a long time.
- Turn off and unplug the unit during storms.
- Make sure that water condensation can drain unhindered from the unit.
- **Do not** operate the air conditioner with wet hands. This may cause electric shock.
- **Do not** use device for any other purpose than its intended use.
- **Do not** climb onto or place objects on top of the outdoor unit.
- **Do not** allow the air conditioner to operate for long periods of time with doors or windows open or if the humidity is very high.

2 Unit specifications and features

2.1 Unit parts



1. Display window (A)
2. Power Cable (Some Units)
3. Remote Control
4. Remote Control Holder (Some Units)
5. Display window (B)
6. Display window (C)
7. Louver
8. Front Panel

Display Code Meanings

- "Fresh"** when Fresh feature is activated(some units)
- "Defrost"** when defrost feature is activated.
- "Run"** when the unit is on.
- "Timer"** when TIMER is set.

88 Not available for all units.

When ECO function(some units) is activated, the **88** illuminates gradually one by one as **--E--C--0**
 -- set temperature --E..... in one second interval.

In other modes, the unit will display your temperature setting.

In Fan mode, the unit will display the room temperature.

When error occurs, it displays error code.

01 for 3 seconds when:

- TIMER ON is set

2

Unit specifications and features

• FRESH, SWING, TURBO, or SILENCE features are turned on

"OF" for 3 seconds when:

• TIMER OFF is set

• FRESH, SWING, TURBO, or SILENCE features are turned off

"cF" when anti-cold air feature is turned on

"dF" when defrosting

"SC" when unit is self-cleaning

"FP" when freeze protection is turned on

"" when Wireless Control feature is activated (some units)



Note: A guide on using the infrared remote is not included in this literature package.

2.2 Achieving optimal performance

Optimal performance for the COOL, HEAT, and DRY modes can be achieved in the following temperature ranges. When your air conditioner is used outside of these ranges, certain safety protection features will activate and cause the unit to perform less than optimally.

2.3 Inverter split type

	COOL mode	HEAT mode	DRY mode
Room Temperature	17°C - 32°C (63°F - 90°F)	0°C - 30°C (32°F - 86°F)	10°C - 32°C (50°F - 90°F)
Outdoor Temperature	0°C - 50°C (32°F - 122°F)	-15°C - 30°C (5°F - 86°F)	0°C - 50°C (32°F - 122°F)
	-15°C - 50°C (5°F - 122°F) (For models with low temp. cooling systems.)		
	0°C - 60°C (32°F - 140°F) (For special tropical models)		0°C - 60°C (32°F - 140°F) (For special tropical models)

2 Unit specifications and features

For outdoor units with auxiliary electric heater

When outside temperature is below 0°C (32°F), we strongly recommend keeping the unit plugged in at all time to ensure smooth ongoing performance.

2.4 Fixed-speed type

	COOL mode	HEAT mode	DRY mode
Room Temperature	17°-32°C (63°-90°F)	0°-30°C (32°-86°F)	10°-32°C (50°-90°F)
Outdoor Temperature	18°-43°C (64°-109°F)	-7°-24°C (19°-75°F)	11°-43°C (52°-109°F)
	-7°-43°C (19°-109°F) (For models with low-temp cooling systems)		18°-43°C (64°-109°F)
	18°-54°C (64°-129°F) (For special tropical models)		18°-54°C (64°-129°F) (For special tropical models)

To further optimize the performance of your unit, do the following:

- Keep doors and windows closed.
- Limit energy usage by using TIMER ON and TIMER OFF functions.
- Do not block air inlets or outlets.
- Regularly inspect and clean air filters.

For a detailed explanation of each function, refer to the **Remote control manual**.

2.5 Other features

• Auto-restart

If the unit loses power, it will automatically restart with the prior settings once power has been restored.

• Anti-mildew (some units)

When turning off the unit from COOL, AUTO (COOL), or DRY modes, the air conditioner will continue operate at very low power to dry up condensed water and prevent mildew growth.

• Refrigerant Leakage Detection (some units)

The indoor unit will automatically display "EC" when the unit detects refrigerant leakage.

2 Unit specifications and features

• Wireless control (some units)

Wireless control allows you to control your air conditioner using your mobile phone and a Wireless connection.

For the USB device access, replacement, maintenance operations must be carried out by professional staff.

• Louver angle memory (some units)

When turning on your unit, the louver will automatically resume its former angle.

For a detailed explanation of your unit's advanced functionality (such as TURBO mode and its self-cleaning functions), refer to the **Remote Control Manual**.



Note:

Illustrations in this manual are for explanatory purposes. The actual shape of your indoor unit may be slightly different. The actual shape shall prevail.

• Setting angle of air flow

Setting vertical angle of air flow

While the unit is on, use the **SWING/DIRECT** button to set the direction (vertical angle) of airflow.

1. Press the **SWING/DIRECT** button once to activate the louver. Each time you press the button, it will adjust the louver by 6°. Press the button until the direction you prefer is reached.
2. To make the louver swing up and down continuously, press and hold the **SWING/DIRECT** button for 3 seconds. Press it again to stop the automatic function.

Setting horizontal angle of air flow

The horizontal angle of the airflow must be set manually. Grip the deflector rod (See **Fig.B**) and manually adjust it to your preferred direction.

For some units, the horizontal angle of the airflow can be set by remote control, please refer to the Remote Control Manual.

Note on louver angles



When using COOL or DRY mode, do not set louver at too vertical an angle for long periods of time. This can cause water to condense on the louver blade, which will drop on your floor or furnishings. (See **Fig.A**)

When using COOL or HEAT mode, setting the louver at too vertical an angle can reduce the performance of the unit due to restricted air flow.

Do not move louver by hand. This will cause the louver to become out of sync. If this occurs, turn off the unit and unplug it for a few seconds, then restart the unit. This will reset the louver.

2 Unit specifications and features

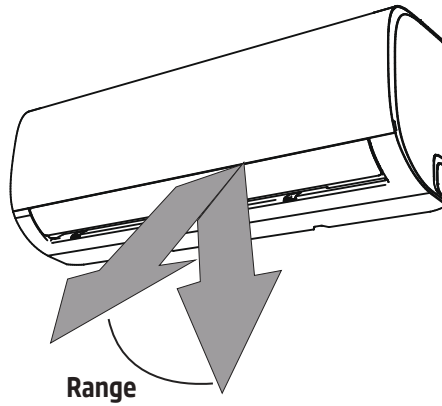


Fig. A



Warning

Do not keep louver at too vertical an angle for long periods of time. This can cause water condensation to drip on your furnishings.



Warning

Do not put your fingers in or near the blower and suction side of the unit. The high-speed fan inside the unit may cause injury.

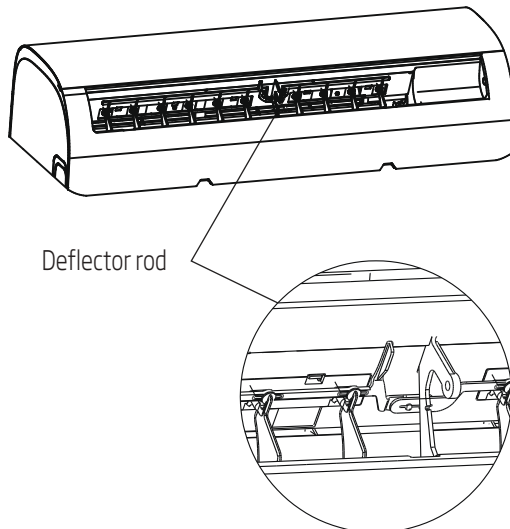


Fig. B

2 Unit specifications and features

• Sleep operation

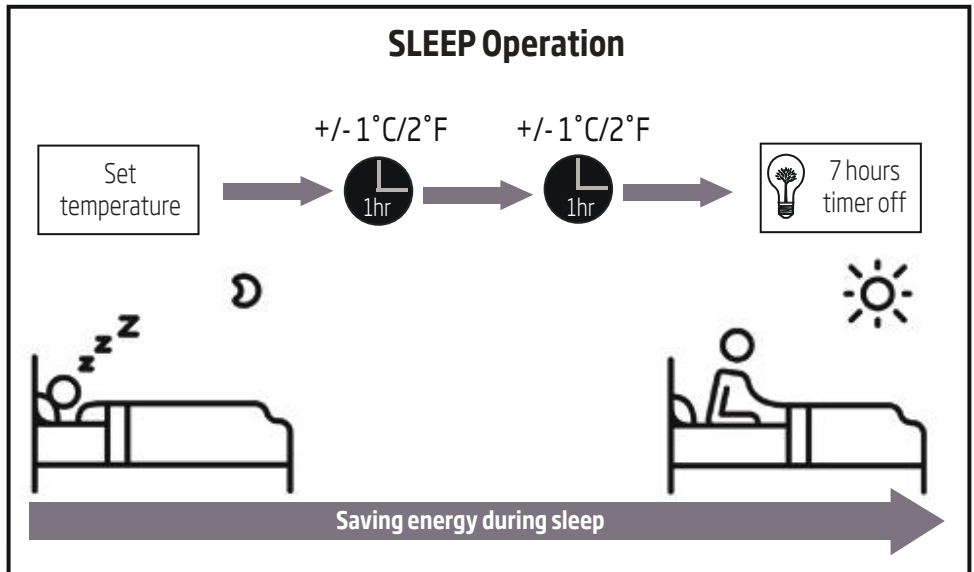
The SLEEP function is used to decrease energy use while you sleep (and don't need the same temperature settings to stay comfortable). This function can only be activated via remote control.

Press the **SLEEP** button when you are ready to go to sleep. When in COOL mode, the unit will increase the temperature by 1°C (2°F) after 1 hour, and will increase an additional 1°C (2°F) after another hour. When in HEAT mode, the unit will decrease the temperature by 1°C (2°F) after 1 hour, and will decrease an additional 1°C (2°F) after another hour.

It will hold the new temperature for 5 hours, then the unit will turn off automatically.



Note: The SLEEP function is not available in FAN or DRY mode.



3 Manual operation (without remote)

3.1 How to operate your unit without the remote control

In the event that your remote control fails to work, your unit can be operated manually with the **MANUAL CONTROL** button located on the indoor unit. Note that manual operation is not a long-term solution, and that operating the unit with your remote control is strongly recommended.

Before manual operation

Unit must be turned off before manual operation.

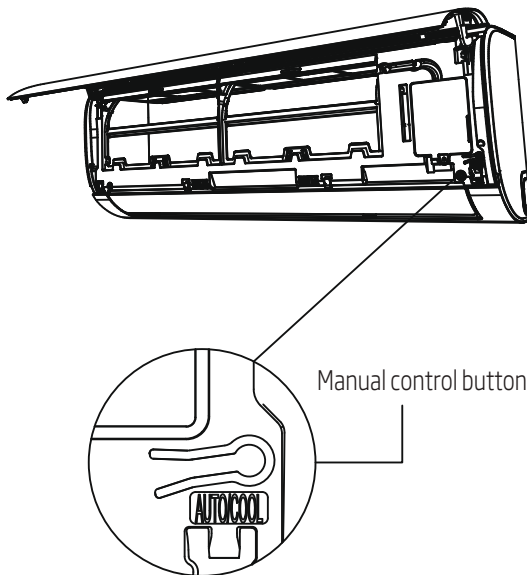
To operate your unit manually:

1. Open the front panel of the indoor unit.
2. Locate the **MANUAL CONTROL button** on the right-hand side of the unit.
3. Press the **MANUAL CONTROL button** one time to activate FORCED AUTO mode.
4. Press the **MANUAL CONTROL button** again to activate FORCED COOLING mode.
5. Press the **MANUAL CONTROL button** a third time to turn the unit off.
6. Close the front panel.



Warning

The manual button is intended for testing purposes and emergency operation only. Please do not use this function unless the remote control is lost and it is absolutely necessary. To restore regular operation, use the remote control to activate the unit.



4.1 Cleaning your indoor unit



Before cleaning or maintenance

Always turn off your air conditioner system and disconnect its power supply before cleaning or maintenance.



Warning

Only use a soft, dry cloth to wipe the unit clean. If the unit is especially dirty, you can use a cloth soaked in warm water to wipe it clean.

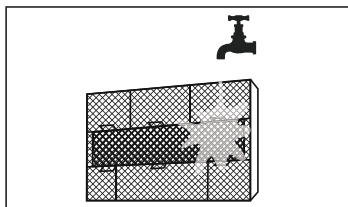
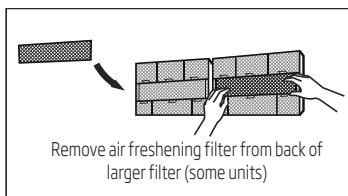
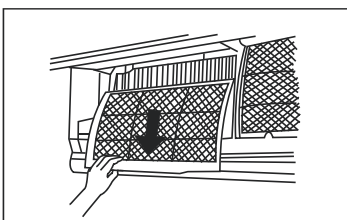
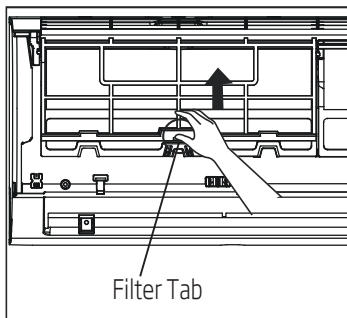
- **Do not** use chemicals or chemically treated cloths to clean the unit
- **Do not** use benzene, paint thinner, polishing powder or other solvents to clean the unit. They can cause the plastic surface to crack or deform.
- **Do not** use water hotter than 40°C (104°F) to clean the front panel. This can cause the panel to deform or become discolored.

4.2 Cleaning your air filter

A clogged air conditioner can reduce the cooling efficiency of your unit, and can also be bad for your health. Make sure to clean the filter once every two weeks.

1. Lift the front panel of the indoor unit.
2. First press the tab on the end of filter to loosen the buckle, lift it up, then pull it towards yourself.
3. Now pull the filter out.
4. If your filter has a small air freshening filter, unclip it from the larger filter. Clean this air freshening filter with a hand-held vacuum.
5. Clean the large air filter with warm, soapy water. Be sure to use a mild detergent.
6. Rinse the filter with fresh water, then shake off excess water.
7. Dry it in a cool, dry place, and refrain from exposing it to direct sunlight.
8. When dry, re-clip the air freshening filter to the larger filter, then slide it back into the indoor unit.
9. Close the front panel of the indoor unit.

4 Care and maintenance



Warning

Do not touch air freshening (Plasma) filter for at least 10 minutes after turning off the unit.

**Warning**

- Before changing the filter or cleaning, turn off the unit and disconnect its power supply.
- When removing filter, do not touch metal parts in the unit. The sharp metal edges can cut you.
- Do not use water to clean the inside of the indoor unit. This can destroy insulation and cause electrical shock.
- Do not expose filter to direct sunlight when drying. This can shrink the filter.

4.3 Air filter reminders (optional)

4.3.1 Air filter cleaning reminder

After 240 hours of use, the display window on the indoor unit will flash "CL." This is a reminder to clean your filter. After 15 seconds, the unit will revert to its previous display.

To reset the reminder, press the **LED** button on your remote control 4 times, or press the **MANUAL CONTROL** button 3 times. If you don't reset the reminder, the "CL" indicator will flash again when you restart the unit.

4.3.2 Air filter replacement reminder

After 2,880 hours of use, the display window on the indoor unit will flash "nF." This is a reminder to replace your filter. After 15 seconds, the unit will revert to its previous display.

To reset the reminder, press the **LED** button on your remote control 4 times, or press the **MANUAL CONTROL** button 3 times. If you don't reset the reminder, the "nF" indicator will flash again when you restart the unit.

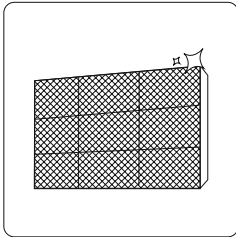
**Warning**

- Any maintenance and cleaning of outdoor unit should be performed by an authorized dealer or a licensed service provider.
- Any unit repairs should be performed by an authorized dealer or a licensed service provider.

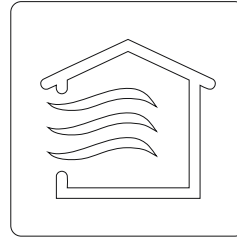
4 Care and maintenance

4.4 Maintenance - long periods of non-use

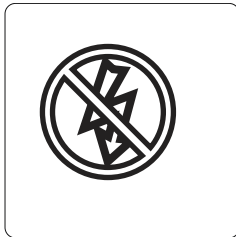
If you plan not to use your air conditioner for an extended period of time, do the following:



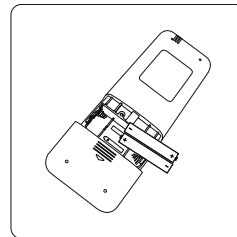
Clean all filters



Turn on FAN function until unit dries out completely



Turn off the unit and disconnect the power

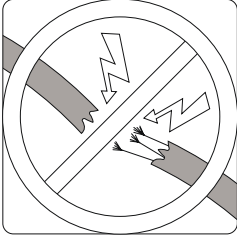


Remove batteries from remote control

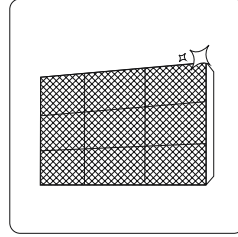
4 Care and maintenance

4.5 Maintenance - pre-season inspection

After long periods of non-use, or before periods of frequent use, do the following:



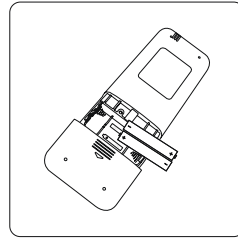
Check for damaged wires



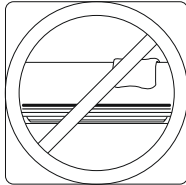
Clean all filters



Check for leaks



Replace batteries



Make sure nothing is blocking all air inlets and outlets

5 Troubleshooting

Safety precautions

If ANY of the following conditions occurs, turn off your unit immediately!

- The power cord is damaged or abnormally warm
- You smell a burning odor
- The unit emits loud or abnormal sounds
- A power fuse blows or the circuit breaker frequently trips
- Water or other objects fall into or out of the unit



Do not attempt to fix these yourself! Contact an authorized service provider immediately!

5.1 Common issues

The following problems are not a malfunction and in most situations will not require repairs.

Issue	Possible Causes
Unit does not turn on when pressing ON/OFF button	The Unit has a 3-minute protection feature that prevents the unit from overloading. The unit cannot be restarted within three minutes of being turned off.
The unit changes from COOL/HEAT mode to FAN mode	The unit may change its setting to prevent frost from forming on the unit. Once the temperature increases, the unit will start operating in the previously selected mode again.
	The set temperature has been reached, at which point the unit turns off the compressor. The unit will continue operating when the temperature fluctuates again.
The indoor unit emits white mist	In humid regions, a large temperature difference between the room's air and the conditioned air can cause white mist.
Both the indoor and outdoor units emit white mist	When the unit restarts in HEAT mode after defrosting, white mist may be emitted due to moisture generated from the defrosting process.
The indoor unit makes noises	A rushing air sound may occur when the louver resets its position.
	A squeaking sound may occur after running the unit in HEAT mode due to expansion and contraction of the unit's plastic parts.

5 Troubleshooting

Issue	Possible Causes
Both the indoor unit and outdoor unit make noises	Low hissing sound during operation: This is normal and is caused by refrigerant gas flowing through both indoor and outdoor units.
	Low hissing sound when the system starts, has just stopped running, or is defrosting: This noise is normal and is caused by the refrigerant gas stopping or changing direction.
	Squeaking sound: Normal expansion and contraction of plastic and metal parts caused by temperature changes during operation can cause squeaking noises.
The outdoor unit makes noises	The unit will make different sounds based on its current operating mode.
Dust is emitted from either the indoor or outdoor unit	The unit may accumulate dust during extended periods of non-use, which will be emitted when the unit is turned on. This can be mitigated by covering the unit during long periods of inactivity.
The unit emits a bad odor	The unit may absorb odors from the environment (such as furniture, cooking, cigarettes, etc.) which will be emitted during operations.
	The unit's filters have become moldy and should be cleaned.
The fan of the outdoor unit does not operate	During operation, the fan speed is controlled to optimize product operation.
Operation is erratic, unpredictable, or unit is unresponsive	Interference from cell phone towers and remote boosters may cause the unit to malfunction. In this case, try the following: <ul style="list-style-type: none"> • Disconnect the power, then reconnect. • Press ON/OFF button on remote control to restart operation.

Note:



If problem persists, contact a local dealer or your nearest customer service center. Provide them with a detailed description of the unit malfunction as well as your model number.

5 Troubleshooting

5.2 Troubleshooting

When troubles occur, please check the following points before contacting a repair company.

Problem	Possible Causes	Solution
Poor Cooling Performance	Temperature setting may be higher than ambient room temperature	Lower the temperature setting
	The heat exchanger on the indoor or outdoor unit is dirty	Clean the affected heat exchanger
	The air filter is dirty	Remove the filter and clean it according to instructions
	The air inlet or outlet of either unit is blocked	Turn the unit off, remove the obstruction and turn it back on
	Doors and windows are open	Make sure that all doors and windows are closed while operating the unit
	Excessive heat is generated by sunlight	Close windows and curtains during periods of high heat or bright sunshine
	Too many sources of heat in the room (people, computers, electronics, etc.)	Reduce amount of heat sources
	Low refrigerant due to leak or long-term use	Check for leaks, re-seal if necessary and top off refrigerant
The unit is not working	SILENCE function is activated(optional function)	SILENCE function can lower product performance by reducing operating frequency. Turn off SILENCE function.
	Power failure	Wait for the power to be restored
	The power is turned off	Turn on the power
	The fuse is burned out	Replace the fuse
	Remote control batteries are dead	Replace batteries
	The Unit's 3-minute protection has been activated	Wait three minutes after restarting the unit
Timer is activated	Turn timer off	

5 Troubleshooting

Problem	Possible Causes	Solution
The unit starts and stops frequently	There's too much or too little refrigerant in the system	Check for leaks and recharge the system with refrigerant.
	Incompressible gas or moisture has entered the system.	Evacuate and recharge the system with refrigerant
	The compressor is broken	Replace the compressor
	The voltage is too high or too low	Install a manostat to regulate the voltage
Poor heating performance	The outdoor temperature is extremely low	Use auxiliary heating device
	Cold air is entering through doors and windows	Make sure that all doors and windows are closed during use
	Low refrigerant due to leak or long-term use	Check for leaks, re-seal if necessary and top off refrigerant
Indicator lamps continue flashing	<p>The unit may stop operation or continue to run safely. If the indicator lamps continue to flash or error codes appear, wait for about 10 minutes. The problem may resolve itself.</p> <p>If not, disconnect the power, then connect it again. Turn the unit on.</p> <p>If the problem persists, disconnect the power and contact your nearest customer service center.</p>	
Error code appears in the window display of indoor unit: <ul style="list-style-type: none"> • E0, E1, E2... • P1, P2, P3... • F1, F2, F3... 		



Note:

If your problem persists after performing the checks and diagnostics above, turn off your unit immediately and contact an authorized service center.

6 European disposal guidelines

This appliance contains refrigerant and other potentially hazardous materials. When disposing of this appliance, the law requires special collection and treatment. **Do not** dispose of this product as household waste or unsorted municipal waste.

When disposing of this appliance, you have the following options:

- Dispose of the appliance at designated municipal electronic waste collection facility.
- When buying a new appliance, the retailer will take back the old appliance free of charge.
- The manufacturer will take back the old appliance free of charge.
- Sell the appliance to certified scrap metal dealers.



Special notice

Disposing of this appliance in the forest or other natural surroundings endangers your health and is bad for the environment. Hazardous substances may leak into the ground water and enter the food chain.



7 Installation instructions

7.1 F-Gas instruction

This product contains fluorinated greenhouse gases covered by the Kyoto protocol.

The fluorinated greenhouse gases are contained in hermetically sealed equipment.

Installs, services, maintains, repairs, checks for leaks or decommissions equipment and product recycling should be carried out by natural persons that hold relevant certificates.

If the system has a leakage detection system installed, leakage checks should be performed at least every 12 months, make sure system operate properly.

If product must be performed leakage checks, it should specify Inspection cycle, establish and save records of leakage checks.



Note: For hermetically sealed equipment, portable air conditioner, window air conditioner and dehumidifier, if CO₂ equivalent of fluorinated greenhouse gases is less than 10 tonnes, it should not perform leakage checks.

Manufactured by Arcelik A.S. Karaagac Cd. No:2-6 34445 Sutluce, Beyoglu, Istanbul, Turkey

8 Specification

Model No.				
Total refrigerant amount (g)				
Climate class				
Heating type				
Main performance				
Cooling capacity (Btu/h)				
Cooling capacity (W)				
Heating capacity (Btu/h)				
Heating capacity (W)				
SEER/AEER/Weight EER (W/W)				
SCOP/ACOP/Weight EER (W/W)				
Voltage/Frequency (V/Hz)				
Rated power input (W)				
Rated current input (A)				
High pressure pipe diameter (mm)				
Low pressure pipe diameter (mm)				
Logistics data				
Indoor unit (WxHxD) mm				
Outdoor unit (WxHxD) mm				
Indoor unit net weight (kg)				
Outdoor unit net weight (kg)				

Vă rugăm să consultați în prealabil acest manual de utilizare!

Stimate client,

Vă mulțumim că ați ales un produs Beko. Sperăm să obțineți cele mai satisfăcătoare rezultate de la acest produs, ce a fost fabricat la standarde de calitate și cu tehnologie de ultimă generație. De aceea, înainte de a folosi produsul, vă rugăm să consultați în întregime manualul de utilizare și toate celelalte documente aferente acestuia ce servesc drept referință pentru întrebunișări ulterioare. Dacă încredințați produsul unei alte persoane, oferiți, de asemenea, și manualul de utilizare. Respectați toate atenționările și informațiile din manualul de utilizare.

Semnificația simbolurilor

În diferitele capitole ale acestui manual, veți întâlni următoarele simboluri:



Informații importante sau sfaturi utile cu privire la utilizare.



Avertizare pentru electrocutare.



Avertizare asupra situațiilor care pot pune în pericol viața și bunurile materiale.



Avertizare pentru pericol de incendiu.



Avertisment pentru acțiuni ce nu trebuie niciodată întreprinse.



Avertizare pentru suprafețe fierbinți.



Acest produs a fost fabricat în condiții moderne cu respectarea normelor de protecție a mediului.

Produsul este în conformitate cu Regulamentul privind DEEE.



Nu conține PCB.

CUPRINS

1	Instrucțiuni referitoare la siguranță	28
2	Specificații și caracteristici ale aparatului	31
2.1	Componenetele aparatului	31
2.2	Obținerea unor performanțe optime	32
2.3	Tip învertor divizat	32
2.4	Tip viteză fixă	33
2.5	Alte funcții	33
3	Funcționarea cu comandă manuală (fără telecomandă)	38
3.1	Cum utilizați aparatul fără telecomandă	38
4	Îngrijire și întreținere	39
4.1	Curațarea modului de interior	39
4.2	Curațarea filtrului de aer	39
4.3	Funcția de reamintire pentru filtrul de aer (optional)	41
4.4	Întreținere - perioade lungi de neutilizare	42
4.5	Întreținere - inspecție înainte de sezon	43
5	Remediarea defecțiunilor	44
5.1	Situații uzuale	44
5.2	Remediarea defecțiunilor	46
6	Reglementări europene pentru eliminarea produsului ca deșeu	49
7	Instrucțiuni de instalare	50
7.1	Instrucțiune privind gazul fluorurat	50
8	Specificații	51

1 Instrucțiuni referitoare la siguranță

Înainte de instalare, citiți indicațiile privind măsurile de siguranță

O instalare incorectă din cauza nerespectării instrucțiunilor poate provoca grave deteriorări sau răniri.

Gravitatea deteriorărilor care se pot produce este indicată de clasificarea ca **avertizare**.

Avertizare

- Acest aparat poate fi utilizat de copiii cu vârsta de peste 8 ani precum și de persoanele cu capacități fizice, senzoriale sau mentale reduse sau persoane cărora le lipsesc experiența și cunoștințele, doar în cazul în care li se asigură supraveghere sau primesc instrucțiuni pentru utilizarea în condiții de siguranță și informații asupra riscurilor implicate. Copiii nu trebuie să se joace cu acest aparat. Curățarea și lucrările de întreținere nu trebuie să fie făcute de copii fără supraveghere.

Avertizări în legătură cu instalarea

- Solicitați ca un dealer autorizat să instaleze acest aparat de aer condiționat. O instalare incorectă poate provoca scurgeri de apă, electrocutări sau incendii.
- Toate lucrările de reparații, întreținerea și schimbarea locului acestui aparat trebuie să fie efectuate de către un tehnician de service autorizat. Reparațiile necorespunzătoare pot duce la răniri grave sau deteriorarea acestui produs.

Avertizări în legătură cu utilizarea produsului

- Dacă apare o situație anormală (precum un miros de material ars), opriți imediat aparatul și scoateți ștecărul din priză. Contactați-l pe distribuitor și cereți instrucțiuni pentru a evita electrocutările, incendiile sau rănirea.

1 Instrucțiuni referitoare la siguranță

- **Nu** introduceți degetele, tije sau alte obiecte în orificiul de admisie a aerului sau în cel de evacuare. Acest lucru poate provoca răniri, deoarece ventilatorul poate avea viteze mari de rotație.
- **Nu** folosiți spray-uri inflamabile, precum spray pentru păr, lacuri sau vopsea în apropierea aparatului. Acest lucru poate provoca incendii sau ardere.
- **Nu** folosiți aparatul de aer condiționat în locuri din apropierea gazelor combustibile. Gazele emise se pot acumula în jurul aparatului și pot provoca explozii.
- **Nu** folosiți aparatul de aer condiționat într-o cameră umedă (de exemplu, camera de baie sau spălătorie). Acest lucru poate provoca electrocutarea și poate cauza deteriorarea produsului.
- **Nu** vă expuneți corpul direct la aerul rece pentru o perioadă prelungită de timp.

Avertizări în legătură cu curentul electric

- Utilizați numai cablul de alimentare specificat. În cazul în care cablul de alimentare este deteriorat, acesta trebuie să fie înlocuit de către producător sau agentul de service autorizat.
- Păstrați curată priza electrică. Îndepărtați praful sau funinginea care se acumulează pe priza electrică sau în jurul acesteia. Prizele murdare pot provoca incendii sau electrocutări.
- **Nu** trageți de cablu atunci când scoateți din priză aparatul. Țineți ferm ștecărul și scoateți-l din priză. Dacă trageți direct de cablul de alimentare, acesta se poate deteriora, ceea ce poate provoca incendii sau electrocutări.
- **Nu** utilizați un cablu prelungitor, nu extindeți manual cablul de alimentare, nu conectați alte aparate la aceeași priză ca și

1 Instrucțiuni referitoare la siguranță

aparatul de aer condiționat. Conexiunile electrice slăbite, izolația necorespunzătoare, și tensiunea electrică insuficientă pot provoca incendii.

Avertizări în legătură cu curățarea și întreținerea

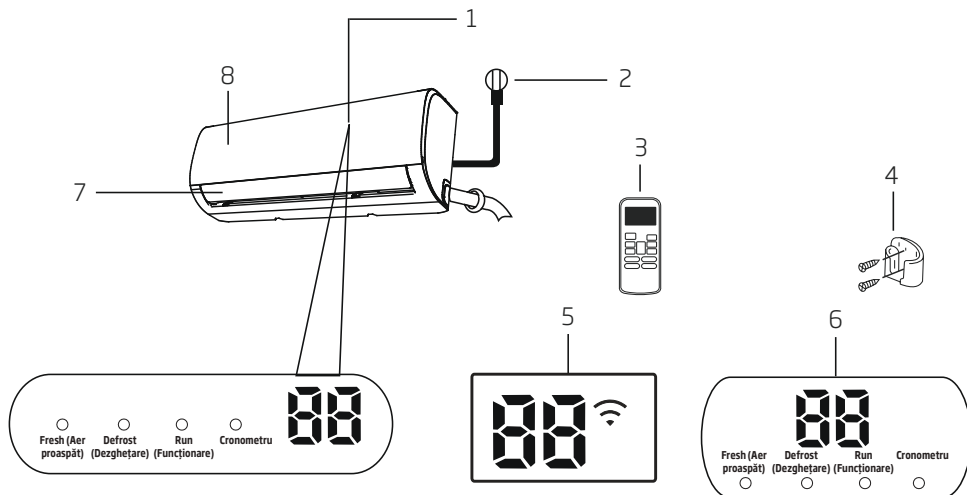
- Opriți aparatul și scoateți ștecărul din priză înainte de curățare. Dacă nu procedați astfel, se pot produce electrocutări.
- **Nu** curățați aparatul de aer condiționat folosind cantități excesive de apă.
- **NU** curățați aparatul de aer condiționat cu agenți de curățare inflamabili. Agenții de curățare inflamabili pot provoca incendii sau deformații.

Avertizare

- Dacă aparatul de aer condiționat este utilizat împreună cu arzătoare sau alte dispozitive de încălzire, aerisiți camera pentru a evita deficitul de oxigen.
- Opriți aparatul de aer condiționat și deconectați-l de la priza electrică dacă nu intenționați să-l utilizați pentru o perioadă lungă de timp.
- Opriți și deconectați aparatul în timpul furtunilor.
- Asigurați-vă că apa de condens se poate scurge fără probleme din aparat.
- **Nu** manipulați aparatul de aer condiționat cu mâinile ude. Se poate produce electrocutarea.
- **Nu** utilizați dispozitivul pentru niciun alt scop decât cel preconizat.
- **Nu** vă urcați pe modulul exterior și nu puneți obiecte pe acesta.
- **Nu** permiteți aparatului de aer condiționat să funcționeze un timp mai îndelungat când ușile sau ferestrele sunt deschise sau atunci când umiditatea este foarte mare.

2 Specificații și caracteristici ale aparatului

2.1 Componentele aparatului



1. Fereastră de afișare (A)
2. Cabluri de forță (unele aparate)
3. Telecomandă
4. Suport pentru telecomandă (unele aparate)
5. Fereastră de afișare (B)
6. Fereastră de afișare (C)
7. Jaluzea
8. Panoul frontal

Semnificații cod afișat

„Fresh” (Aer proaspăt)

când este activată funcția Fresh (Aer proaspăt) (unele unități)

„Defrost” (Dezghetare)

când funcția de dezghetare este activată.

„Run” (Rulare)

când unitatea este pornită.

„Timer” (Cronometru)

când este setat TIMER (Cronometru).

„88” Nu este disponibil pentru toate unitățile.

Când funcția ECO (unele unități) este activată, „88” se aprinde treptat unul câte unul ca --E--C--0
-- temperatură setată --E la un interval de o secundă.

În alte moduri de funcționare, aparatul va afișa temperatura setată.

În modul de funcționare Fan (ventilator), aparatul va afișa temperatura camerei.

Când apare eroarea, aceasta afișează codul de eroare.

„01” timp de 3 secunde când:

- Este setat TIMER ON (Temporizator pornit)
- Funcțiile FRESH (Aer proaspăt), SWING (Balans), TURBO sau SILENCE (Silențios) sunt pornite

„0F” timp de 3 secunde când:

2 Specificații și caracteristici ale aparatului

- Este setat TIMER OFF (Temporizator oprit)
- Funcțiile FRESH (Aer proaspăt), SWING (Balans), TURBO sau SILENCE (Silențios) sunt oprite

"CF" când este pornită funcția anti-răcire

"df" la dezghețare

"SC" când unitatea se curăță automat

"FP" când este activată protecția împotriva înghețului

"" când este activată funcția de control wireless (unele aparate)



Notă: Un ghid privind utilizarea telecomenzii cu infraroșu nu este inclus în această documentație.

2.2 Obținerea unor performanțe optime

Performanțe optime pentru COOL (răcire), HEAT (încălzire) și DRY (uscare) pot fi obținute în următoarele intervale de temperatură. Când aparatul de aer condiționat este utilizat în afara acestor intervale, se vor activa anumite funcții de protecție și din această cauză este posibil ca aparatul să nu mai funcționeze într-un mod optim.

2.3 Tip inverter divizat

	Modul de funcționare COOL (răcire)	Modul de funcționare HEAT (încălzire)	Modul de funcționare DRY (uscare)
Temperatura camerei	17°C - 32°C (63°F - 90°F)	0°C - 30°C (32°F - 86°F)	10°C - 32°C (50°F - 90°F)
Temperatura din exterior	0°C - 50°C (32°F - 122°F)	-15°C - 30°C (5°F - 86°F)	0°C - 50°C (32°F - 122°F)
	-15°C - 50°C (5°F - 122°F) (Pentru modelele cu sistem de răcire cu temp. joasă.)		
	0°C - 60°C (32°F - 140°F) (Pentru modelele speciale tropicale)		0°C - 60°C (32°F - 140°F) (Pentru modelele speciale tropicale)

2 Specificații și caracteristici ale aparatului

Pentru aparatele de exterior cu încălzitor electric auxiliar

Atunci când temperatura exterioară este sub 0°C (32°F), vă recomandăm insistent să mențineți aparatul conectat la priză tot timpul pentru a asigura o funcționare fără probleme.

2.4 Tip viteză fixă

	Modul de funcționare COOL (răcire)	Modul de funcționare HEAT (încălzire)	Modul de funcționare DRY (uscare)
Temperatura camerei	17°C - 32°C (63°C - 90°F)	0°C - 30°C (32°C - 86°F)	10°C - 32°C (50°C - 90°F)
Temperatura din exterior	18°C - 43°C (64°C - 109°F)	-7°C - 24°C (19°C - 75°F)	11°C - 43°C (52°C - 109°F)
	-7°C - 43°C (19°C - 109°F) (Pentru modelele cu sistem de răcire cu temp. joasă.)		18°C - 43°C (64°C - 109°F)
	18°C - 54°C (64°C - 129°F) (Pentru modelele speciale tropicale)		18°C - 54°C (64°C - 129°F) (Pentru modelele speciale tropicale)

Pentru a optimiza performanțele aparatului dvs., procedați în felul următor:

- Mențineți ușile și ferestrele închise.
- Limitați consumul de energie prin utilizarea funcțiilor TIMER ON (Temporizator pornit) și TIMER OFF (Temporizator oprit).
- Nu blocați orificiile de admisie și de evacuare a aerului.
- Controlați și curățați în mod regulat filtrele de aer.

Pentru explicații detaliate privind fiecare funcție, consultați **Manualul telecomenzii**.

2.5 Alte funcții

• Repornire automată

Dacă aparatul nu mai primește alimentare electrică, va reporni automat cu setările anterioare după ce alimentarea electrică a fost restabilită.

2 Specificații și caracteristici ale aparatului

• Anti-mucegai (unele aparate)

Atunci când aparatul este oprit din modurile de funcționare COOL (răcire), AUTO (COOL) (automat (răcire)) sau DRY (uscare) aparatul de aer condiționat va continua să funcționeze cu o putere foarte mică pentru a face să se evapore apa de condens și a preveni dezvoltarea mucegaiului.

• Detectarea scurgerii de agent frigorific (unele unități)

Unitatea interioară va afișa automat „EC” atunci când unitatea detectează scurgeri de agent frigorific.

• Comanda wireless (unele aparate)

Comanda wireless vă permite să comandați aparatul de aer condiționat folosind telefonul mobil și o conexiune wireless.

Pentru accesul la dispozitivul USB, operațiunile de înlocuire și întreținere trebuie efectuate de către personalul profesionist.

• Memoria pentru unghiul jaluzelei (unele aparate)

Atunci când porniți aparatul, jaluzeaua se va poziționa automat cu unghiul pe care l-a avut și înainte.

Pentru explicații detaliate ale funcțiilor avansate ale aparatului dvs. (precum modul de funcționare TURBO și funcțiile de auto-curățare), a se vedea **Manualul telecomenzii**.



Notă:

Ilustrațiile din acest manual sunt explicative. Forma actuală a modulului de interior poate fi puțin diferită. Forma actuală este de luat în considerație.

• Reglarea unghiului curentului de aer

Reglarea unghiului vertical al curentului de aer

Când aparatul este pornit, folosiți butonul **SWING/DIRECT (pendulare/direct)** pentru a regla direcția (unghiul vertical) al curentului de aer.

1. Apăsăți butonul **SWING/DIRECT (pendulare/direct)** o singură dată pentru a activa jaluzeaua. De fiecare dată când apăsați butonul, modificați poziția jaluzelei cu 6°. Apăsăți butonul până când se ajunge la direcția pe care o preferați.
2. Pentru a face jaluzeaua să oscileze în sus și în jos în mod continuu, apăsați și mențineți apăsat butonul **SWING/DIRECT (pendulare/direct)** timp de 3 secunde. Apăsăți butonul din nou pentru a opri această funcție automată.

Reglarea unghiului orizontal al curentului de aer

Unghiul orizontal al curentului de aer trebuie să fie reglat manual. Țineți cu mâna tija deflectorului (a se vedea **Fig. B**) și reglați-o manual în direcția preferată.

Pentru unele aparate, unghiul orizontal al fluxului de aer poate fi reglat prin telecomandă, vă rugăm să consultați manualul telecomenzii.

2 Specificații și caracteristici ale aparatului

Notă în legătură cu unghiurile jaluzelei

În modurile de funcționare COOL (răcire), sau DRY (uscare), nu poziționați jaluzeaua la un unghi prea aproape de verticală pentru perioade mai lungi de timp. Acest lucru poate duce la condensarea apei pe lama jaluzelei, care va cădea apoi pe podea sau pe mobilier. (Consultați **Fig. A**)



În modurile de funcționare COOL (răcire), sau HEAT (încălzire), poziționarea jaluzelei la un unghi prea aproape de verticală poate reduce performanțele aparatului din cauza fluxului de aer restricționat.

Nu deplasați jaluzeaua cu mâna. Acest lucru va determina ieșirea din sincronism a jaluzelei. Dacă se întâmplă acest lucru, opriți aparatul și lăsați-l deconectat de la priză timp de câteva secunde, apoi reporniți-l. Prin aceasta, jaluzeaua va fi resetată.

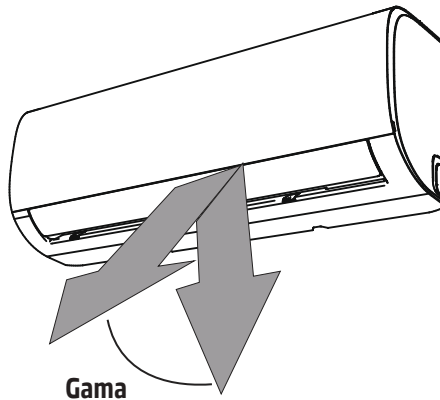


Fig. A



Avertizare

Nu poziționați jaluzeaua la un unghi prea aproape de verticală pentru perioade mai lungi de timp. Acest lucru poate cauza picura apei condensate pe mobilier.



Avertizare

Nu puneți degetele în sau lângă partea de refulare sau de aspirație a aparatului. Ventilatorul de mare viteză în interiorul aparatului poate produce răni.

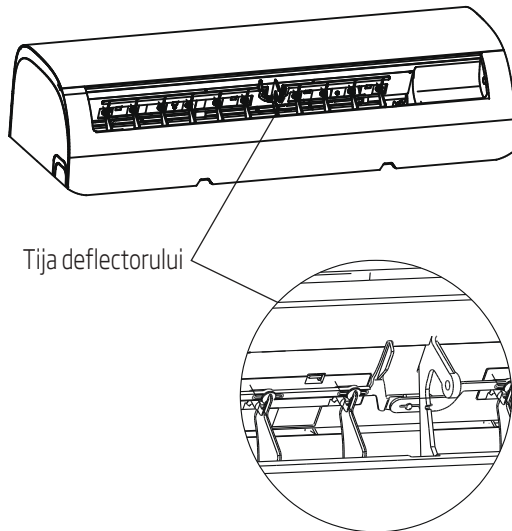


Fig. B

• Funcționarea Sleep (somm)

Funcția SLEEP (Somn) este utilizată pentru a reduce consumul de energie în timp ce dormiți (și nu aveți nevoie de aceleași setări de temperatură pentru a vă simți confortabil). Această funcție poate fi activată numai prin telecomandă.

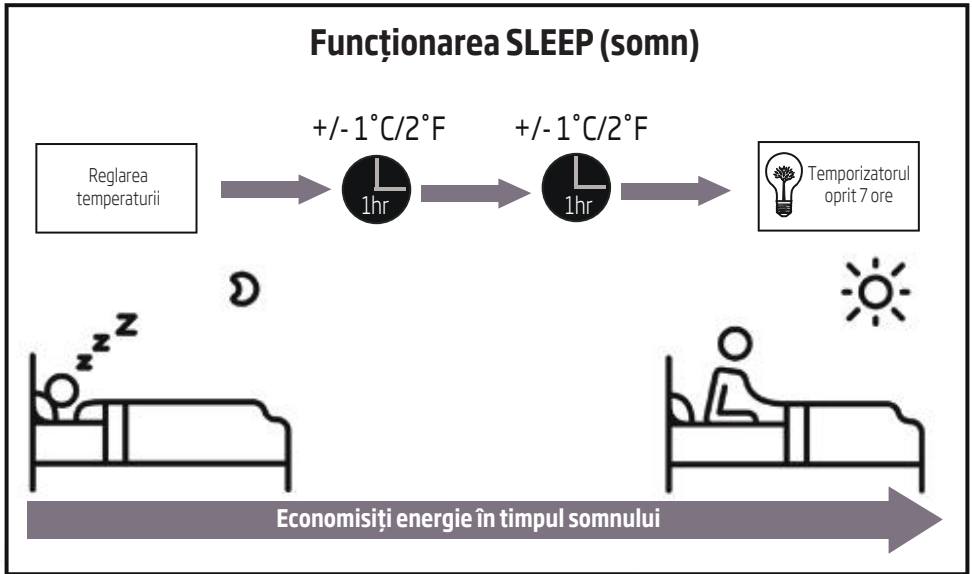
Apăsăți butonul **SLEEP (somm)** înainte de a merge la culcare. În modul de funcționare COOL (Răcire), aparatul va mări temperatura cu 1°C (2°F) după 1 oră, iar apoi, după încă o oră, va mări din nou temperatura cu încă 1°C (2°F). În modul de funcționare HEAT (încălzire), aparatul va reduce temperatura cu 1°C (2°F) după 1 oră, iar apoi, după încă o oră, va reduce din nou temperatura cu încă 1°C (2°F).

Aparatul va menține noua temperatură timp de 5 ore și apoi se va opri automat.



Notă: Funcția SLEEP (somm) nu este disponibilă în modul de funcționare FAN (ventilator) sau DRY (uscare).

2 Specificații și caracteristici ale aparatului



3 Funcționarea cu comandă manuală (fără telecomandă)

3.1 Cum utilizați aparatul fără telecomandă

În cazul în care telecomanda dvs. nu funcționează, aparatul poate fi utilizat cu comenzi manuale, cu ajutorul butonului **MANUAL CONTROL (comenzi manuale)** aflat pe modulul pentru interior. Rețineți că utilizarea cu comenzi manuale nu este o soluție pe termen lung și se recomandă insistent utilizarea aparatului cu ajutorul telecomenzii.

Înainte de utilizarea cu comenzi manuale

Aparatul trebuie să fie oprit înainte de a fi utilizat cu comenzi manuale.

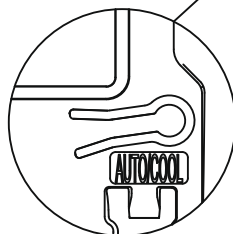
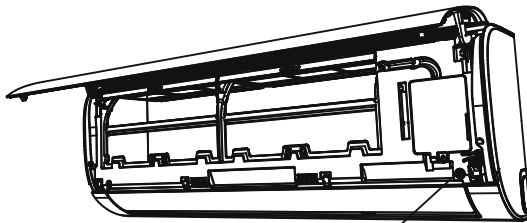
Pentru a utiliza aparatul cu comenzi manuale:

1. Deschideți panoul frontal al modulului de interior.
2. Localizați **butonul MANUAL CONTROL (comenzi manuale)** aflat pe partea stângă a aparatului.
3. Apăsați **butonul MANUAL CONTROL (comenzi manuale)** o dată pentru a activa modul de funcționare FORCED AUTO (automat forțat).
4. Apăsați din nou **butonul MANUAL CONTROL (comenzi manuale)** pentru a activa modul de funcționare FORCED COOLING (răcire forțată).
5. Apăsați a treia oară **butonul MANUAL CONTROL (comenzi manuale)** pentru a opri aparatul.
6. Închideți panoul frontal.



Avertizare

Butonul manual este prevăzut numai pentru scopuri de testare și funcționarea de urgență. Vă rugăm să nu utilizați această funcție decât dacă telecomanda este pierdută și dacă este absolut necesar. Pentru a reveni la funcționarea normală, utilizați telecomanda pentru a activa aparatul.



Butonul pentru comenzi manuale

4 Îngrijire și întreținere

4.1 Curățarea modului de interior



Înainte de curățare și întreținere

Oprii întotdeauna sistemul de aer condiționat și deconectați-l de la priza electrică înainte de curățare sau întreținere.



Avertizare

Utilizați numai o cârpă moale, uscată pentru a curăța aparatul prin ștergere. În cazul în care aparatul este foarte murdar, puteți folosi o cârpă înmuiată în apă caldă pentru a-l curăța prin ștergere.

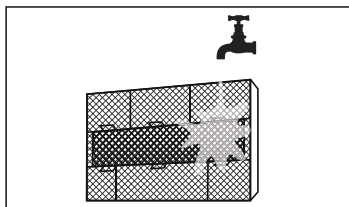
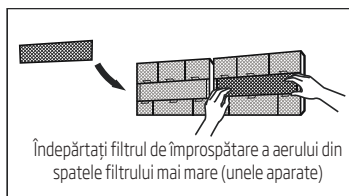
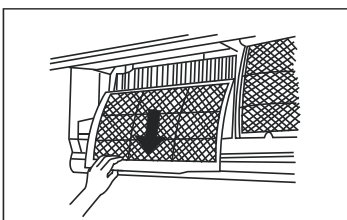
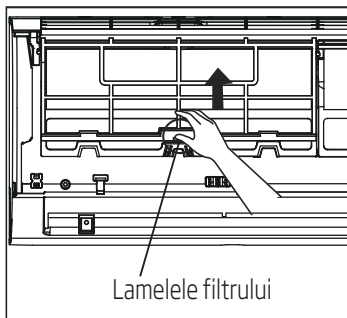
- **Nu** utilizați substanțe chimice sau cârpe tratate chimic pentru a curăța aparatul.
- **Nu** folosiți benzen, diluant de vopsea, praf de lustruit sau alți solvenți pentru curățarea aparatului. Acestea pot cauza crăparea suprafeței de plastic sau deformarea ei.
- **Nu** utilizați apă cu o temperatură mai înaltă decât 40°C (104°F) pentru a curăța panoul frontal. Aceasta poate cauza deformarea panoului frontal sau decolorarea lui.

4.2 Curățarea filtrului de aer

Un aparat de aer condiționat care s-a înfundat poate reduce eficiența de răcire a sistemului și poate fi de asemenea nociv pentru sănătatea dvs. Aveți grijă să curățați filtrul o dată la două săptămâni.

1. Ridicați panoul frontal al modului de interior.
2. Mai întâi, apăsați clapeta de la capătul filtrului pentru a slăbi catarama, ridicați-o, apoi trageți-o spre dvs.
3. Acum scoateți filtrul.
4. Dacă filtrul are un mic filtru de îmborsărire a aerului, detașați-l de filtru mai mare. Curățați acest filtru de îmborsărire a aerului folosind un aspirator ținut în mână.
5. Curățați filtrul de aer mare cu apă caldă și săpun. Aveți grijă să utilizați un detergent slab.
6. Clătiți filtrul cu apă proaspătă, apoi eliminați prin scuturare excesul de apă.
7. Uscați într-un loc răcoros, uscat și evitați expunerea la lumina directă a soarelui.
8. Când s-a uscat, atașați din nou filtrul de îmborsărire a aerului la filtrul mai mare, apoi introduceți-l prin glisare înapoi în modulul de interior.
9. Închideți panoul frontal al modului de interior.

4 Îngrijire și întreținere



Avertizare

Nu atingeți filtrul de împurștare a aerului (cu plasmă) timp de cel puțin 10 minute după oprirea aparatului.

4 Îngrijire și întreținere

Avertizare



- Înainte de a schimba sau a curăța filtrul, opriți aparatul și deconectați alimentarea electrică.
- Atunci când îndepărtați filtrul, nu atingeți componentele metalice din aparat. Marginile ascuțite de metal vă pot accidenta prin tăiere.
- Nu folosiți apă pentru a curăța interiorul modulului de interior. Atunci se poate distruge izolația și se pot provoca electrocutări.
- Nu expuneți filtrul la lumina directă a soarelui atunci când îl uscați. Atunci filtrul se poate contracta.

4.3 Funcția de reamintire pentru filtrul de aer (optional)

4.3.1 Funcția de reamintire pentru curățarea filtrului de aer

După 240 de ore de utilizare, fereastra de afișare de pe modulul de interior va afișa intermitent "CL." Aceasta vă reamintește că trebuie să curățați filtrul. După 15 de secunde, aparatul va reveni la afișajul anterior.

Pentru a reseta funcția de reamintire, apăsați butonul **LED** de pe telecomandă de 4 ori, sau apăsați butonul **MANUAL CONTROL (comenzi manuale)** de 3 ori. Dacă nu resetați funcția de reamintire, indicatorul "CL" va lumina din nou intermitent atunci când reporniți aparatul.

4.3.2 Funcția de reamintire pentru înlocuiți filtrului de aer

După 2.880 de ore de utilizare, fereastra de afișare de pe modulul de interior va afișa intermitent "nF." Aceasta vă reamintește că trebuie să înlocuiți filtrul. După 15 de secunde, aparatul va reveni la afișajul anterior.

Pentru a reseta funcția de reamintire, apăsați butonul **LED** de pe telecomandă de 4 ori, sau apăsați butonul **MANUAL CONTROL (comenzi manuale)** de 3 ori. Dacă nu resetați funcția de reamintire, indicatorul "nF" va lumina din nou intermitent atunci când reporniți aparatul.

Avertizare

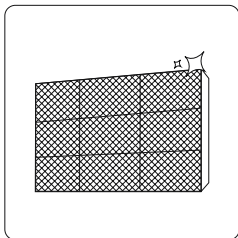


- Orice lucrări de întreținere și curățare a modulului exterior trebuie să fie efectuate de către un distribuitor autorizat sau un furnizor de servicii autorizat.
- Orice reparații ale unității trebuie efectuate de un dealer autorizat sau de un furnizor autorizat de service.

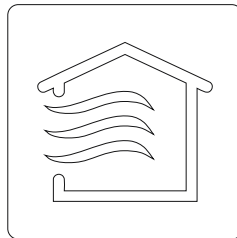
4 Îngrijire și întreținere

4.4 Întreținere - perioade lungi de neutilizare

Dacă intenționați să nu utilizați aparatul de aer condiționat pentru o perioadă mai lungă de timp, procedați în felul următor:



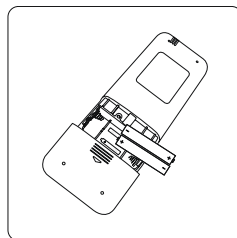
Curățați toate filtrele



Activați funcția FAN (ventilator), până când aparatul se usucă complet



Opriiți aparatul și deconectați alimentarea

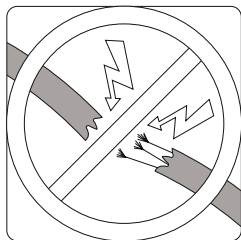


Scoateți bateriile din telecomandă

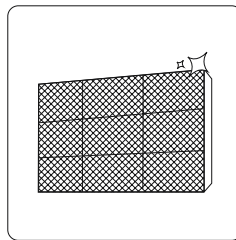
4 Îngrijire și întreținere

4.5 Întreținere - inspecție înainte de sezon

După perioade lungi de neutilizare sau înainte de perioadele de utilizare frecventă, procedați în felul următor:



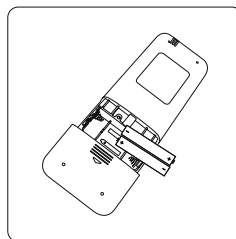
Verificați dacă există fire deteriorate



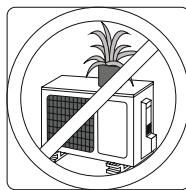
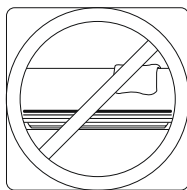
Curățați toate filtrele



Verificați dacă există scurgeri



Înlocuiți bateriile



Asigurați-vă că nimic nu blochează niciunul dintre orificiile de admisie și de evacuare a aerului.

5 Remedierea defecțiunilor

Măsurile de protecție

Dacă apare ORICARE dintre următoarele situații, opriți aparatul imediat!

- Cablul de alimentare este deteriorat sau anormal de cald
- Simțiți un miros de material ars
- Unitatea emite sunete puternice sau anormale
- O siguranță de pe alimentare sau contactorul se declanșează în mod frecvent
- Apa sau alte obiecte cad în interiorul aparatului sau cad din aparat



Nu încercați să rezolvați singur aceste probleme! Contactați imediat un furnizor de servicii autorizat!

5.1 Situații uzuale

Următoarele probleme nu constituie o defecțiune și în cele mai multe situații nu vor necesita reparații.

Situația	Cauze posibile
Aparatul nu pornește când se apasă butonul ON/OFF (PORNIT/OPRIT)	Aparatul are o funcție de protecție de 3 minute care împiedică suprasolicitarea lui. Aparatul nu poate fi repornit într-un interval de timp de 3 minute după ce a fost oprit.
Aparatul trece de la modul de funcționare COOL/HEAT (răcire/încălzire), la FAN (ventilator)	Aparatul își poate schimba setarea pentru a împiedica apariția înghețului. După ce temperatura crește, aparatul va începe să funcționeze din nou în modul selectat anterior. Temperatura setată a fost atinsă, moment în care aparatul oprește compresorul. Aparatul va continua să funcționeze atunci când temperatura fluctuează din nou.
Modulul de interior produce o ceață albă	În regiunile cu climă umedă, o diferență mare de temperatură între aerul din cameră și aerul condiționat poate face să apară o ceață de culoare albă.
Atât modulul de interior cât și modulul de exterior produce o ceață albă	Atunci când aparatul repornește în modul de funcționare HEAT (încălzire) după dezghețare, poate fi produsă o ceață albă din cauza umezelii generate de procesul de dezghețare.
Modulul de interior face zgomot	Poate fi emis un sunet de aer ieșind cu viteză atunci când jaluzeaua își schimbă poziția. Este posibil să fie produs un sunet ca un scârțâit după funcționarea aparatului în modul HEAT (încălzire) din cauza dilatării și contractării pieselor din plastic ale aparatului.

5 Remedierea defecțiunilor

Situația	Cauze posibile
Atât modulul de interior cât și cel de exterior fac zgomot	Un sunet slab ca un șuierat apare în timpul funcționării: Acest lucru este normal și este cauzat de gazul de răcire care curge prin cele două module, cel de interior și cel de exterior.
	Un sunet slab ca un șuierat apare când sistemul pornește, când tocmai a încetat să mai funcționeze sau când este în procesul de dezghetare: Acest lucru este normal și este cauzat de gazul de răcire care își încetează mișcarea sau își schimbă direcția.
	Sunet ca un scârțâit: Dilatarea și contractarea normală a pieselor din plastic ale aparatului cauzate de schimbările de temperatură în timpul funcționării poate provoca un sunet ca un scârțâit.
Modulul de exterior face zgomot	Aparatul va emite diferite sunete, în funcție de modul respectiv de funcționare.
Este emis praf, atât de către modulul de interior cât și de modulul de exterior	Unitatea poate acumula praf în timpul perioadelor lungi de neutilizare, care va fi emis atunci când aparatul este pornit. Acest lucru poate fi atenuat prin acoperirea aparatului în timpul perioadelor lungi de nefuncționare.
Aparatul emite un miros neplăcut	Aparatul poate absorbi mirosurile din mediul înconjurător (precum cel al mobilei, miros de gătit, de țigări etc.), care vor fi emise în timpul funcționării.
	Filtrele aparatului au prins mucegai și trebuie să fie curățate.
Ventilatorul unității exterioare nu funcționează	În timpul funcționării, turația ventilatorului este reglată pentru a optimiza funcționarea produsului.
Funcționarea este neregulată, imprevizibilă, sau unitate nu răspunde la comenzi	Interferența de la stațiile de telefonie mobilă și relee de amplificare poate provoca disfuncționalități ale aparatului. În acest caz, încercați următoarele proceduri: <ul style="list-style-type: none">• Deconectați alimentarea electrică, apoi conectați-o din nou.• Apăsăți butonul ON/OFF (Pornit/Oprit) de pe telecomandă pentru a porni aparatul.

Notă:



Dacă problema persistă, contactați-l pe dealer-ul local sau cel mai apropiat centru de servicii pentru clienți. Oferiți-le o descriere detaliată a defecțiunii aparatului precum și numărul modelului.

5 Remedierea defecțiunilor

5.2 Remedierea defecțiunilor

Atunci când apar probleme, vă rugăm să verificați următoarele puncte înainte de a contacta o companie de reparații.

Problema	Cauze posibile	Soluția
Performanță slabă de răcire	Setarea temperaturii poate fi mai mare decât temperatura ambiantă a camerei.	Reduceți valoarea la care este setată temperatura.
	Schimbătorul de căldură de la modulul de interior sau modulul de exterior este murdar.	Curățați schimbătorul de căldură afectat.
	Filtrul de aer este murdar	Scoateți filtrul și curățați-l în conformitate cu instrucțiunile
	Orificiul de admisie a aerului sau cel de evacuare de la unul dintre module este blocat	Opriti aparatul, îndepărtați obiectul care obstrucționează și porniți din nou aparatul.
	Ușile și ferestrele sunt deschise.	Asigurați-vă că ușile și ferestrele sunt închise.
	Lumina soarelui generează căldură excesivă	Închideți ferestrele și trageți perdelele în timpul perioadelor cu temperaturi ridicate sau cu lumină puternică de la soare
	În cameră există prea multe surse de căldură (persoane, calculatoare, aparate electronice, etc.)	Reduceți numărul de surse de căldură
	Prea puțin agent de răcire din cauza scurgerilor sau a timpului îndelungat de utilizare	Verificați dacă există scurgeri, refaceți etanșarea și, dacă este necesar, mai adăugați agent de răcire.
	Funcția SILENCE (liniște) este activată (funcție opțională)	Funcția SILENCE (liniște) poate scădea performanțele produsului prin reducerea frecvenței de funcționare. Dezactivați funcția SILENCE (liniște).

5 Remedierea defecțiunilor

Problema	Cauze posibile	Soluția
Aparatul nu funcționează	Întrerupere a furnizării tensiunii electrice în rețea	Așteptați ca tensiunea electrică în rețea să fie restabilită
	Alimentarea electrică a aparatului este oprită	Porniți alimentarea electrică
	Siguranța s-a ars	Înlocuiți siguranța
	Bateriile telecomenzii sunt descărcate	Înlocuiți bateriile
	Funcția de protecție de 3 minute a aparatului a fost activată	Așteptați trei minute după repornirea aparatului
	Temporizatorul este activat	Dezactivați temporizatorul
Aparatul pornește și se oprește frecvent	Există prea mult sau prea puțin agent de răcire în sistem	Verificați dacă există scurgeri și umpleți instalația cu agent de răcire.
	În sistem au pătruns gaze incompresibile sau umiditate.	Evacuați gazele și umpleți instalația cu agent de răcire.
	Compresorul este deteriorat	Înlocuiți compresorul
	Tensiunea este prea mare sau prea mică	Instalați un regulator pentru a regla tensiunea
Performanțe de încălzire slabe	Temperatura din exterior este extrem de joasă	Utilizați un dispozitiv de încălzire auxiliar
	Aerul rece intră pe la uși și ferestre	Asigurați-vă că toate ușile și ferestrele sunt închise în timpul utilizării aparatului
	Prea puțin agent de răcire din cauza scurgerilor sau a timpului îndelungat de utilizare	Verificați dacă există scurgeri, refaceți etanșarea și, dacă este necesar, mai adăugați agent de răcire.

5 Remedierea defecțiunilor

Problema	Cauze posibile	Soluția
Lampa de semnalizare luminează intermitent		
Pe fereastra de afișare a modului de interior apare un cod de eroare: <ul style="list-style-type: none">• E0, E1, E2...• P1, P2, P3...• F1, F2, F3...	<p>Este posibil ca aparatul să își înceteze funcționarea sau să continue să funcționeze în condiții de siguranță. Dacă lampa de semnalizare luminează intermitent sau sunt afișate coduri de eroare, așteptați aproximativ 10 minute. Este posibil ca problema să se rezolve de la sine.</p> <p>Dacă nu, deconectați alimentarea electrică, apoi conectați-o din nou. Porniți aparatul.</p> <p>Dacă problema persistă, deconectați alimentarea și contactați cel mai apropiat centru de servicii pentru clienți.</p>	



Notă:

Dacă problema persistă după efectuarea verificărilor și diagnosticarea de mai sus, opriți aparatul imediat și contactați un centru de service autorizat.

Acest aparat conține agent de răcire și alte materiale potențial periculoase. Pentru eliminarea de deșeu a acestui aparat, legea prevede colectarea și un anumit tratament. **Nu** eliminați acest produs ca deșeurii menajere sau ca deșeurii municipale nesortate.

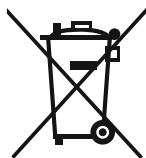
Atunci când eliminați acest aparat, aveți la dispoziție următoarele opțiuni:

- Eliminați aparatul la sistemul prevăzut pentru colectarea deșeurilor municipale electronice.
- Atunci când cumpărați un aparat nou, vânzătorul va prelua gratuit vechiul aparat.
- Producătorul va prelua gratuit vechiul aparat.
- Vindeți aparatul firmelor autorizate care se ocupă deșeurii de metale.

Note speciale



Eliminarea acest aparat în pădure sau în alte locuri naturale vă pune în pericol sănătatea și are un efect nociv pentru mediul înconjurător. Substanțele periculoase se pot scurge în apele subterane și intră în lanțul producției de alimente.



7 Instrucțiuni de instalare

7.1 Instrucțiune privind gazul fluorurat

Acest produs conține gaze cu efect de seră fluorurate prevăzute de Protocolul de la Kyoto.

Gazele cu efect de seră fluorurate se află în echipamente închise ermetic.

Instalările, servisările, întreținerile, reparațiile, verificările pentru scurgeri sau scoaterile din funcțiune ale echipamentelor și reciclarea produsului trebuie efectuate de persoanele fizice, care dețin autorizații corespunzătoare.

În cazul în care sistemul are instalat un sistem de detectare a scurgerilor, verificările pentru scurgeri trebuie efectuate cel puțin la fiecare 12 luni pentru a vă asigura că sistemul funcționează corect.

În cazul în care produsul trebuie verificat pentru scurgeri, acesta trebuie să specifice periodicitatea verificărilor, țineți evidența verificărilor pentru scurgeri.



Notă: Pentru echipamente închise ermetic, aparate de aer condiționat portabile, aparate de aer condiționat montate la fereastră și dehumidificatoare, dacă echivalentul de CO₂ al gazelor cu efect de seră fluorurate este mai mic de 10 tone, nu trebuie efectuate verificări pentru scurgeri.

8 Specificații

Număr model				
Cantitate totală de agent de răcire (g)				
Clasa de climatizare				
Tipul de încălzire				
Performanțe principale				
Capacitate de răcire (Btu/h)				
Capacitate de răcire (W)				
Capacitate de încălzire (Btu/h)				
Capacitate de încălzire (W)				
SEER/AEER/Greutate EER (W/W)				
SCOP/ACOP/Greutate EER (W/W)				
Tensiune/frecvență (V/Hz)				
Putere nominală de intrare (W)				
Curent nominal de intrare (A)				
Diametrul conductei de înaltă presiune (mm)				
Diametrul conductei de joasă presiune (mm)				
Date logistice				
Modulul de interior (WxDxH) mm				
Modulul de exterior (WxDxH) mm				
Greutatea netă a modulului de interior (kg)				
Greutatea netă a modulului de exterior (kg)				

