

TOR 21...BCL
TOR 21...BC



TOR 11...SM



TOR 21...ACX



TOR 21...BTA



TOR 31...QT



TOR 21...SLX



*Электрический
маслонаполненный
радиатор*

*Electric
oil filled
radiator*

Модели/Models:

TOR 21.1206 BC
TOR 21.1507 BC
TOR 21.2009 BC
TOR 21.2512 BC

TOR 21.1206 BTA
TOR 21.1507 BTA
TOR 21.2009 BTA
TOR 21.2512 BTA

TOR 21.1206 BCL
TOR 21.1507 BCL
TOR 21.2009 BCL
TOR 21.2512 BCL

TOR 21.1005 ACX
TOR 21.1507 ACX
TOR 21.1809 ACX
TOR 21.2211 ACX

TOR 31.1606 QT
TOR 31.1907 QT
TOR 31.2409 QT
TOR 31.2912 QT

TOR 21.1005 SLX
TOR 21.1507 SLX
TOR 21.1809 SLX
TOR 21.2211 SLX

TOR 11.0606 SM
TOR 11.1009 SM
TOR 11.1211 SM

McGrp.Ru

Руководство по эксплуатации включает в себя гарантийный талон

Outlook of devices, aslo colour scores can be revised without any special advance notices.

Производитель вправе менять внешний вид прибора и цветовую гамму прибора без специального уведомления.

Dear customer!

Thank you for your good choice! You purchased a Timberk oil filled radiator. We did everything for the unit to operate reliably for a long time.

Timberk electric oil filled radiator is designed to heat the air and create a comfortable environment indoors during cold season (early spring, fall, winter). The radiator is very easy-to-use, easy to install, and also has an increased heat transfer and an efficient air flow distribution. Besides, Timberk Professional oil filled radiators are additionally equipped with an air ionizing function. The built-in air ionizer can operate independently of the air heating mode.

You must install the oil filled radiator only vertically and only on a rigid surface (for example, on the floor) in a place, where it is possible to connect to 220~V, 50Hz single-phase power supply wiring with an earth circuit.

1. IMPORTANT INFORMATION

Please, read this manual carefully before use of the electric oil-filled radiator.

This manual contains important information regarding your safety, as well as recommendations concerning the correct use and maintenance of this appliance.

Keep this manual together with a guarantee slip, cash register receipt and, if possible, carton and packaging material.

The radiator you have bought may slightly differ from that described in the manual, but it does not affect its use and operation procedures.

Please, read this manual carefully before use of the electric oil-filled radiator.

This manual contains important information regarding your safety, as well as recommendations concerning the correct use and maintenance of this appliance.

Keep this manual together with a guarantee slip, cash register receipt and, if possible, carton and packaging material.

The radiator you have bought may slightly differ from that described in the manual, but it does not affect its use and operation procedures.



IMPORTANT!

Important safeguards and instructions contained in this manual do not include all possible modes and situations. It is necessary to understand that common sense, caution and accuracy are factors, which cannot be 'built-in' any product.

These factors should be considered by a person, who is interested in the proper operation of the appliance. The manufacturer is not responsible for damage of the appliance or its parts during transportation, as a result of incorrect installation or voltage fluctuations, as well as when any part of the appliance has been changed or modified.

2. SAFEGUARDS

When using the oil-filled radiator several safety precautions should be followed in order to reduce the risk of fire, electric shock and injury to persons. Incorrect operation due to disregard to precautions may cause harm to health of the user and other persons, as well as damage to their property.

1. Read this manual carefully before using the radiator.
2. The radiator is very hot when in use. To avoid burns, do not let bare skin touch hot surfaces. Keep the radiator at least 0.9 m from furniture, pillows, bedding, paper, clothes, curtains and other combustible materials. Let the radiator cool down before moving. When moving radiator, use a built-in handle.
3. Extreme caution is necessary when the radiator is used near children and whenever the radiator is left operating and unattended.
4. Always unplug the radiator when not in use.
5. Do not operate radiator with a damaged cord or plug. To avoid the damage of electric shock, damaged cord should be replaced only in authorized service centers of the manufacturer by qualified specialists.
6. Do not use radiator outdoors.
7. This radiator is not intended for use in bathrooms, laundry areas or other similar wet indoor locations. Never locate radiator where it may fall into a

bathtub or other water container.

8. Do not run cord of the radiator under carpeting and do not press it with furniture. Arrange cord where it will not be tripped over.

9. To shut-off the radiator, use a power switch. Do not switch on and switch off the appliance by connection and disconnection of electric supply.

10. Do not insert your fingers and do not allow foreign objects to enter any ventilation or exhaust opening as it may cause an electric shock or damage the radiator.

11. To prevent a possible fire, do not block air intakes or exhaust in any manner. Do not dry your clothes on the radiator! Do not use it on soft surfaces, like bed, where openings may become blocked. Use the radiator only on flat dry surface.

12. The radiator has hot sparking parts inside. Do not use it in areas where gasoline, paint or other flammable liquids are used or stored.

13. Use this radiator only as described in this manual. Any other use not recommended by the manufacturer may cause fire, electric shock or injury to persons.

14. Always unplug the radiator before cleaning. Do not submerge the radiator. Never pull the cord.

15. Avoid the change of a cord and the use of an extension cord because it may cause overheat and a risk of fire, as well as damage of internal electrical network. However, if you have to use an extension cord, the cord shall be polarized, with conductor cross-section of at least 1.0 mm² and rated not less than 1875 W.

16. Connect the radiator only to the 220~V/50Hz electric network. If needed, find out the characteristics of your network from power supplier.

17. Install and operate the appliance only when upright. Do not operate the appliance in the horizontal or on the slant.

18. The appliance is not intended for use by handicapped persons (including children) with insufficient experience and knowledge, if they are not under observation or have not been instructed in the use of appliance from a person responsible for their safety. Make sure that children do not play with the radiator.

3. SPECIFICATIONS

Specifications of the oil-filled radiator are shown in Table 1.

Table 1

Model	Power consumption, W	Power supply, V/Hz	Rated current A	Number of fins	Net weight, kg	Device dimensions, mm
TOR 21.1206 BC	1200	220~/50	5,4	6	6,3	310x235x625
TOR 21.1507 BC	1500	220~/50	6,8	7	7,2	350x235x625
TOR 21.2009 BC	2000	220~/50	9,1	9	9	430x235x625
TOR 21.2512 BC	2500	220~/50	11,4	12	11,7	550x235x625
TOR 21.1206 BCL	1200	220~/50	5,4	6	6,3	310x235x625
TOR 21.1507 BCL	1500	220~/50	6,8	7	7,2	350x235x625
TOR 21.2009 BCL	2000	220~/50	9,1	9	9	430x235x625
TOR 21.2512 BCL	2500	220~/50	11,4	12	11,7	550x235x625
TOR 31.1906 QT	1600	220~/50	7,3	6	7,3	310x235x625
TOR 31.1907 QT	1900	220~/50	8,6	7	8,2	340x235x625
TOR 31.2409 QT	2400	220~/50	10,1	9	9,9	415x235x625
TOR 31.2912 QT	2900	220~/50	13,1	12	12,4	530x235x625
TOR 21.1206 BTA	1200	220~/50	5,4	6	6,6	280x235x600
TOR 21.1507 BTA	1500	220~/50	6,8	7	7,4	310x235x635
TOR 21.2009 BTA	2000	220~/50	9,1	9	9,0	370x235x635
TOR 21.2512 BTA	2500	220~/50	11,4	12	11,30	490x235x600
TOR 21.1005 ACX	1000	220~/50	4,5	5	4,8	250x235x600
TOR 21.1507 ACX	1500	220~/50	6,8	7	5,8	310x235x600
TOR 21.1809 ACX	1800	220~/50	8,2	9	6,8	385x235x600
TOR 21.2211 ACX	2200	220~/50	10	11	8,4	460x235x600

Model	Power consumption, W	Power supply, V/Hz	Rated current A	Number of fins	Net weight, kg	Device dimensions, mm
TOR 21.1005 SLX	1000	220~/50	4,5	5	4.8	250x235x620
TOR 21.1507 SLX	1500	220~/50	6,8	7	5.8	310x235x620
TOR 21.1809 SLX	1800	220~/50	8,1	9	6.8	385x235x620
TOR 21.2211 SLX	2200	220~/50	10	11	8.4	460x235x620
TOR 11.0606 SM	600	220~/50	2,6	6	4.0	290x140x345
TOR 11.1009 SM	1000	220~/50	4,3	9	5.5	390x140x345
TOR 11.1211 SM	1200	220~/50	5,2	11	6.5	460x140x345

Noise level, dB (TOP 31 ... QT): 58



IMPORTANT!

The manufacturer reserves the right to change the set-list of the device (including liquid and powder components) for different supplies without prior notice. The changes either in no way influence the basic technical parameters of the device or may improve them, and also not violate the legislation or quality standards of the countries of manufacture, transit and selling.

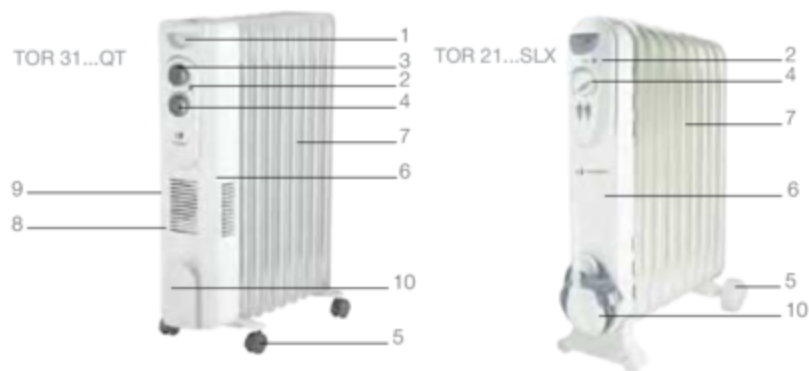
The changes in the set-list may result in changing of the weight and dimensions of the device, but not more than by +/- 5-20% (depending on the product category)

4. RADIATOR DESCRIPTION

1. Handle for moving
2. Heading indicator
3. Thermostat handle
4. Power mode switcher
5. Wheel
6. Front cover
7. Radiator sections
8. Fan heater
9. Fan heater button
10. Cord holder



Fig. 1



6. ASSEMBLY AND INSTALLATION

1. Unpack the radiator and roller wheels and remove all the packaging material.
2. Overturn the radiator on a mat or no soft surface, to avoid damage to lacquer coating.
3. Install wheel plates on the lower part of radiator sections, into two fixed supports.
4. Draw up two finger nuts on one side and two finger nuts on the other - in clamp extensions passed through the wheel plate supports, after making sure that 2 openings in the wheel plate match together with the clamp extensions (see Figure 3).
5. Turn the radiator back and tip it up.

5. DELIVERY SET

1. Oil-filled radiator - 1 pc
2. Roller wheels, assembled - 2 pcs
4. Finger nut - 1 set
5. User manual - 1 pcs
6. Guarantee slip - 1 pcs
7. Packing - 1 pcs

McGrp.Ru



Fig. 2

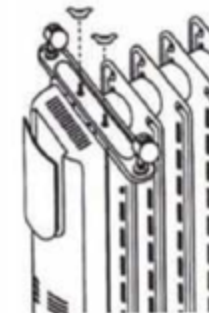


Fig. 3



NOTE:

Design and technical characteristics of the convector heater, as well as its complete set may be changed by the manufacturer without prior notification, when it is needed to improve its quality.



IMPORTANT!

1. Switch on and operate the radiator only when upright (with wheels below and control elements above). Any other position may cause a dangerous situation and result in failure of the oil-filled radiator or damage of property and the manufacturer will consider this as a non-warranty case.
2. Do not switch the radiator on, if roller wheels are not installed.

7. UNIT OPERATION RULES AND PROCEDURE

1. Read section «Important precautions» carefully unless you already did it.
2. Connect the unit's power cord to an electric outlet, observing all of the abovementioned precautions. Remember that you can connect the unit to electric mains only if the rotating power regulator is in OFF position (switched off), i.e. the knob is rotated against the stop counterclockwise.
3. It is also preferable to turn the temperature regulating knob against the stop counterclockwise. Then you can connect the unit to electric mains.
4. Set the unit's power regulator (knob) to position I, II or III (corresponds to low, normal and maximum power of unit's operation). Remember that the higher the power you choose, the faster the unit heats the air. But at a low power you save electric power and reduce the load on your electric mains.
5. After you chose the desired operating power in accordance with your individual preferences, you have to choose the desired heating temperature. Turning the thermostat knob clockwise (from MIN position towards MAX position), you thus adjust the temperature mode you need. Since the moment you choose the temperature mode (provided one or another power mode is activated see item 4) the oil filled radiator will start to operate.
6. During the first minutes of radiator's operation you may feel a slight smell of burning. It may be caused by dust on the unit; it will soon disappear. If necessary, you can perform a preliminary preventive cleaning of the unit, following rules, set forth in this manual and observing «Important precautions».
7. When the room temperature will reach the desired level, you should slowly turn the temperature regulator's knob counterclockwise (towards MIN). You will hear a click of the thermostat turning off, and the light on the control panel will go out. Now the room temperature will be maintained at the chosen level.
8. If you need to reduce the room temperature, turn the thermostat knob counterclockwise. Also you can lower the unit's operating power (I or II).
9. If you need to raise the room temperature, turn the thermostat knob clockwise (maximum possible position MAX indicator). Also you can raise the unit's operating power (II or III).
10. The lines of Timberk oil filled radiators TOR 31...QT are additionally equipped with a built-in fan heater, located on the front panel of the unit. To speed up the room heating, activate the fan heater by pressing the special button switch (the button can be located both on the front panel of the

unit and on the side (to the left) of the front panel of the unit depending on the unit line).

Pressing the fan heater button, you must select the ON position (switched on), upon that power supply will be automatically fed both to the fan motor and to the built-in heating element. If you need to turn on the fan heater, please, press the button again, selecting the OFF position (switched off).



IMPORTANT!

For the unit to operate normally, the level of voltage in electric mains must be sufficient in strict compliance with the technical parameters indicated on the unit. Carefully study the technical label, as well as all labels with special warnings, attached to the unit's surface.

8. CLEANING AND MAINTENANCE OF THE UNIT

1. Remember that you must clean the unit regularly to remove dust from the surface of heating sections. Dust and dirt on the unit's surface have a negative effect on the unit's operational efficiency, in some cases a smell of burning dust can cause a headache and nausea, as well as other negative health effects. Also a dirty unit cannot operate 100% effectively, temperature parameters of the room heating can be disrupted.
 2. Prior to preventive cleaning of the unit, you must switch off the unit, unplug it from electric mains (see «Important precautions») and let the unit cool down.
 3. Clean the unit's sections and other surfaces with a soft, slightly damp duster/cloth. The cloth must not leave fluff on the unit's surface.
 4. It is not recommended to use detergents, including materials containing abrasive elements.
 5. During cleaning, please, do not damage the unit's surface by sharp objects (hard sponge, polishing paper, etc). Scratches on the painted surface can result in rusting.
- Switch on and use the unit again only having carried out all «Important precautions»; also make sure that the unit's surface is absolutely dry.

9. TROUBLESHOOTING

Possible malfunctions and remedies for them:

Malfunction	Cause	Remedy
1. The heater heats poorly	1. The heating element is faulty	1. Contact the authorized service center of Timberk
	2. Low voltage in the electric mains	2. Check voltage in the electric mains
2. The heater does not work	1. No voltage in the electric mains	1. Check presence of voltage in the electric mains
	2. Breakdown of the electric cable	2. Check integrity of the electric cable and replace it if necessary
	3. The automatic circuit breaker of the electric mains is faulty	3. Check operability of the automatic circuit breaker of the electric mains and replace the faulty circuit breaker if necessary
	4. Breakdown in the heating element circuit	4. Contact the authorized service center of Timberk

If you are not able to remedy a malfunction according to the recommendations or other malfunctions occur, contact the authorized service center of Timberk.

McGrp.Ru

10. TRANSPORTATION AND STORAGE

Temperature requirements*	Transportation and storage	From -30° to +50°
Humidity requirements*		From 15% to 85% (without a condensate)

We are exploring new technologies and we constantly improving the quality of our products. That's why specifications, design and accessories are subject to change without any specific notice.

* This product must have storage in dry, well-ventilated space of warehouse at the temperature not lower than -30°

11. UTILIZATION

After end of life the fan heater should be utilized in accordance with the norms, regulations and procedures effective in the place of utilization. For more detailed information please contact representatives of local authorities.

Уважаемый покупатель!

Благодарим вас за удачный выбор! Вы приобрели масляно-полненный радиатор Timberk. Со своей стороны мы сделали все, чтобы прибор работал надежно и прослужил вам долго.

Электрический маслянополненный радиатор Timberk предназначен для обогрева воздуха и создания комфортной атмосферы в помещении в холодное время года (ранняя весна, осень, зима). Радиатор очень удобен в использовании, прост в установке, а также обладает повышенной теплоотдачей и эффективным распределением воздушного потока. Кроме того, маслянополненные радиаторы Timberk Professional дополнительно оснащены функцией ионизации воздуха. Встроенный ионизатор воздуха может работать автономно от режима обогрева воздуха.

Вы должны установить маслянополненный радиатор только в вертикальном положении и только на жесткой основе (например, на полу) там, где есть возможность подключения к электропроводке с однофазным электропитанием 220~В, 50Гц и с заземляющим контуром.



ВНИМАНИЕ!

Важные меры предосторожности и инструкции, содержащиеся в данном руководстве, не включают всех возможных режимов и ситуаций, которые могут встречаться. Необходимо понимать, что здравый смысл, осторожность и тщательность являются факторами, которые невозможно «встроить» ни в один продукт.

Эти факторы должен учитывать человек, который заинтересован в надлежащей эксплуатации устройства. Изготовитель не несет ответственности в случае повреждения прибора или его отдельных частей во время транспортировки, в результате неправильной установки, в результате колебаний напряжения, а также в случае, если какая-либо часть прибора была изменена или модифицирована.

McGrp.Ru

3. МЕРЫ ПРЕДОСТОРОЖНОСТИ

1. ВАЖНАЯ ИНФОРМАЦИЯ

Просим внимательно ознакомиться с руководством по эксплуатации перед использованием маслянополненного радиатора.

В данном руководстве по эксплуатации содержится важная информация, касающаяся Вашей безопасности, а также рекомендации по правильному использованию прибора и уходу за ним.

Сохраните руководство по эксплуатации, вместе с гарантийным талоном, кассовым чеком, по возможности, картонной коробкой и упаковочным материалом.

Приобретенный Вами радиатор может несколько отличаться от описанного в руководстве, что не влияет на способы использования и эксплуатации.

При использовании маслянополненного радиатора, необходимо соблюдать ряд мер предосторожности, для снижения риска пожара, поражения электрическим током и травмирования людей. Неправильная эксплуатация в силу игнорирования мер предосторожности может привести к причинению вреда здоровью пользователя и других людей, а также нанесения ущерба их имуществу.

1. Прочитайте все инструкции перед использованием радиатора.
2. Радиатор при работе нагревается до очень высокой температуры. Чтобы избежать ожогов, не прикасайтесь руками и другими частями тела к горячим поверхностям. Располагайте радиатор на расстоянии не менее 0,9 м от мебели, подушек, постельных принадлежностей, бумаги, одежды, штор и других горючих предметов и материалов. Дайте радиатору остыть, прежде чем перемещать его. Для перемещения радиатора используйте встроенную ручку.
3. Необходимо соблюдать крайнюю осторожность, когда рядом с работающим радиатором играют дети, и всегда, когда радиатор работает без присмотра.
4. Всегда выключайте радиатор из розетки, когда он не используется.

5. Не включайте радиатор, если его сетевой шнур или вилка имеют повреждения. Во избежание опасности поражения электрическим током, поврежденный сетевой шнур должен меняться только в авторизованных сервисных центрах изготовителя, квалифицированными специалистами.

6. Не используйте радиатор на улице.

7. Данный радиатор не предназначен для использования в ванных комнатах, прачечных или других аналогичных влажных помещениях. Ни в коем случае не размещайте радиатор в таких местах, где он может упасть в ванну или другую емкость с водой.

8. Не прокладывайте сетевой шнур радиатора под ковровыми покрытиями и не прижимайте его предметами мебели. Прокладывайте сетевой шнур так, чтобы об него невозможно было споткнуться.

9. Для отключения радиатора используйте выключатель питания. Не включайте и не отключайте устройство посредством подключения или отключения электрического питания.

10. Не просовывайте пальцы и исключите попадание посторонних предметов в какое-либо вентиляционные или вытяжные отверстия, так как это может привести к поражению электрическим током или повреждению радиатора.

11. Для предотвращения возможного пожара не загромождайте ничем воздухозаборные и вытяжные отверстия. Не вешайте и не сушите вещи на радиаторе! Не используйте радиатор на мягких поверхностях, например, на кровати, где отверстия могут быть заблокированы. Используйте радиатор только на ровной сухой поверхности.

12. Радиатор содержит внутри горячие компоненты. Не используйте радиатор в местах использования или хранения бензина, краски или других легковоспламеняющихся жидкостей.

13. Используйте данный радиатор только так, как описано в данном руководстве. Любое другое использование, не рекомендуемое изготовителем, может привести к пожару, поражению электрическим током или травмированию людей.

14. Ни в коем случае не выполняйте очистку радиатора, когда он включен в розетку. Не погружайте радиатор в воду. Никогда не тяните за сетевой шнур.

15. Во избежание перегрева и риска возникновения пожара, а также повреждения внутренней электрической сети, не изменяйте длину сетевого шнура и не подключайте устройство через электрические удлинители. Однако при необходимости можно использовать удлинитель, который должен быть рассчитан на минимальную мощность

прибора.

16. Подключайте радиатор только к сети 220~В/50Гц. При необходимости выясните характеристики своей сети у поставщика электроэнергии.

17. Устанавливайте и эксплуатируйте прибор в строго вертикальном положении. Запрещено эксплуатировать прибор в горизонтальном или наклонном положениях.

18. Прибор не предназначен для использования лицами (включая детей) с ограниченными физическими, сенсорными или умственными возможностями, обладающими недостаточным опытом и знаниями, если они не находятся под наблюдением и не получили инструкций по использованию устройства от лица, ответственного за их безопасность. Необходимо следить, чтобы дети не играли с радиатором.

3. ТЕХНИЧЕСКИЕ ХАРАКТЕРИСТИКИ

Технические характеристики маслонаполненного радиатора приведены в таблице 1.

Табл. 1

Модель	Номинальная потребляемая мощность, Вт	Параметры электропитания, В/Гц	Номинальная сила тока, А	Количество секций	Вес нетто, кг	Размеры прибора, мм
TOR 21.1206 BC	1200	220~/50	5,4	6	6,3	310x235x625
TOR 21.1507 BC	1500	220~/50	6,8	7	7,2	350x235x625
TOR 21.2009 BC	2000	220~/50	9,1	9	9	430x235x625
TOR 21.2512 BC	2500	220~/50	11,4	12	11,7	550x235x625
TOR 21.1206 BCL	1200	220~/50	5,4	6	6,3	310x235x625
TOR 21.1507 BCL	1500	220~/50	6,8	7	7,2	350x235x625
TOR 21.2009 BCL	2000	220~/50	9,1	9	9	430x235x625
TOR 21.2512 BCL	2500	220~/50	11,4	12	11,7	550x235x625
TOR 31.1606 QT	1600	220~/50	7,3	6	7,3	310x235x625
TOR 31.1907 QT	1900	220~/50	8,6	7	8,2	340x235x625
TOR 31.2409 QT	2400	220~/50	10,1	9	9,9	415x235x625
TOR 31.2912 QT	2900	220~/50	13,1	12	12,4	530x235x625

Модель	Номинальная потребляемая мощность, Вт	Параметры электропитания, В/Гц	Номинальная сила тока, А	Количество секций	Вес нетто, кг	Размеры прибора, мм
TOR 21.1206 BTA	1200	220~/50	5,4	6	6,6	280x235x600
TOR 21.1507 BTA	1500	220~/50	6,8	7	7,4	310x235x635
TOR 21.2009 BTA	2000	220~/50	9,1	9	9,0	370x235x635
TOR 21.2512 BTA	2500	220~/50	11,4	12	11,30	490x235x600
TOR 21.1005 ACX	1000	220~/50	4,5	5	4,8	250x235x600
TOR 21.1507 ACX	1500	220~/50	6,8	7	5,8	310x235x600
TOR 21.1809 ACX	1800	220~/50	8,2	9	6,8	385x235x600
TOR 21.2211 ACX	2200	220~/50	10	11	8,4	460x235x600
TOR 21.1005 SLX	1000	220~/50	4,5	5	4,8	250x235x620
TOR 21.1507 SLX	1500	220~/50	6,8	7	5,8	310x235x620
TOR 21.1809 SLX	1800	220~/50	8,1	9	6,8	385x235x620
TOR 21.2211 SLX	2200	220~/50	10	11	8,4	460x235x620
TOR 11.0606 SM	600	220~/50	2,6	6	4,0	290x140x345
TOR 11.1009 SM	1000	220~/50	4,3	9	5,5	390x140x345
TOR 11.1211 SM	1200	220~/50	5,2	11	6,5	460x140x345

Корректированный уровень звуковой мощности, Дб (для моделей TOR 31 ... QT): 58.



ВНИМАНИЕ!

Производитель оставляет за собой право для разных партий поставок без предварительного уведомления изменять комплектующие части изделия (включая заливаемые \ засыпаемые составляющие), не влияя при этом на основные технические параметры изделия или улучшая их, а также не нарушая изменениями принятые на территории страны производства \ транзита \ реализации стандарты качества и нормы законодательства.

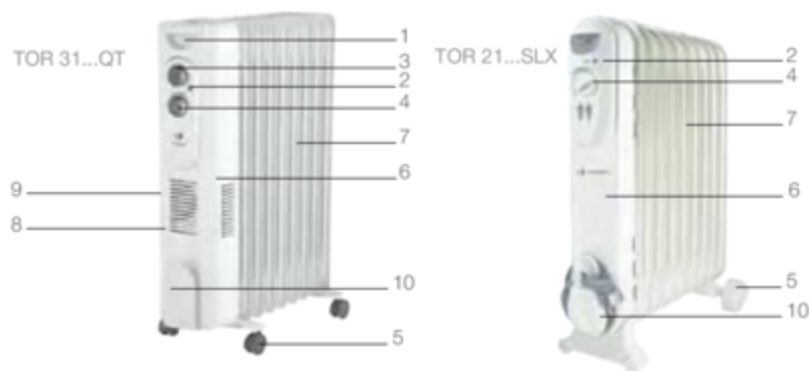
Это может повлечь за собой изменение веса и габаритов изделия, но не более чем на +/- 5-20% (могут отличаться для разного вида изделий).

4. ОПИСАНИЕ ПРИБОРА

1. Ручка для переноски
2. Индикатор нагрева
3. Ручка термостата
4. Ручка переключателя мощности
5. Роликовые колесики для перемещения радиатора (входят в комплект поставки)
6. Лицевая панель прибора
7. Маслосодержащие секции радиатора
8. Встроенный тепловентилятор**
9. Выключатель тепловентилятора**
10. Держатель сетевого шнура



Рис. 1



** - только для серии TOP 31 ... QT

5. КОМПЛЕКТ ПОСТАВКИ

1. Маслонаполненный радиатор - 1 шт
2. Роликовые колеса, в сборе - 2 шт
3. U-образная скоба - 2 шт
4. Барашковая гайка - 1 комплект
5. Руководство по эксплуатации и гарантийный талон - 1 шт
6. Упаковка - 1 шт



ПРИМЕЧАНИЕ:

Для улучшения качества продукции, конструкция и технические характеристики конвектора, а также его комплектация могут быть изменены производителем без предварительного уведомления.

6. СБОРКА И УСТАНОВКА

1. Выньте радиатор и роликовые колеса из упаковки и удалите весь упаковочный материал.
2. Переверните радиатор вверх дном на коврик или мягкой поверхности, чтобы не повредить лакокрасочное покрытие.
3. Закрепите пластины колёс на нижнюю часть секций радиатора при помощи прилагаемых U-образных скоб и барашковых гаек, пропустив U-образную скобу под соединительный межсекционный элемент и соединив скобу с пластиной колес.
4. Затяните барашковую гайку с одной стороны и барашковую гайку с другой стороны в выступах струбицы.
5. Переверните радиатор обратно и поставьте вертикально.



Рис. 2

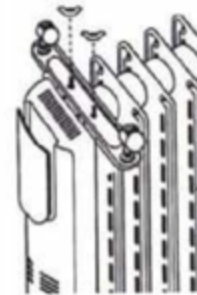


Рис. 3



ВНИМАНИЕ!

1. Включайте и эксплуатируйте прибор только в вертикальном положении (с колесиками внизу, органами управления вверх). Любое другое положение создает опасную ситуацию и приведет к выходу из строя масляного радиатора или прочее имущество и будет рассматриваться как негарантийный случай.
2. Не включайте радиатор, если роликовые колеса не установлены.

7. ЭКСПЛУАТАЦИЯ ПРИБОРА

1. Внимательно прочитайте раздел «Важные меры предосторожности», если вы этого еще не сделали.
2. Подсоедините сетевой шнур прибора к электрической розетке, соблюдая все вышеперечисленные меры предосторожности. Помните, что подсоединять прибор к электрической сети можно только при условии, что ручка переключателя мощности стоит в положении «OFF» (выключено), т.е. ручка повернута до упора против часовой стрелки.
3. Желательно также повернуть ручку термостата до упора против часовой стрелки. После этого вы можете подключить прибор к электросети.
4. Установите ручку переключателя мощности в положение «I», «II» или «III» (соответствует низкой, средней и максимальной мощности нагрева прибора). Помните, что чем выше мощность нагрева вы выбираете, тем быстрее прибор будет нагревать воздух. Но при низкой мощности нагрева вы снижаете нагрузку на вашу электрическую сеть.
5. После того, как вы выбрали желаемую мощность нагрева в соответствии с вашими индивидуальными предпочтениями, вы должны выбрать желаемую температуру нагрева помещения. Повернув ручку термостата по часовой стрелке (из положения «MIN» в сторону положения «MAX»), вы, таким образом, регулируете нужный вам температурный режим. С момента выбора температурного режима (при условии активации того или иного режима мощности см. п. 4) маслянонаполненный радиатор начнет нагрев.
6. В первые минуты нагрева радиатора вы можете почувствовать легкий запах гари. Причиной может быть пыль на приборе; это скоро закончится. При желании вы можете провести предварительную профилактическую чистку прибора, соблюдая правила, изложенные в данном руководстве и соблюдая «Важные меры предосторожности».
7. Когда температура в помещении достигнет желаемого уровня, медленно поверните ручку термостата против часовой стрелки (в направлении MIN). Вы услышите щелчок выключения термостата, лампочка на панели управления погаснет. Теперь температура в помещении будет поддерживаться на уровне, который вы выбрали.
8. Если вы захотите понизить температуру в помещении, то поверните ручку термостата против часовой стрелки. Также вы можете переключить мощность прибора на более низкую («I» или «II»).
9. Если вы захотите повысить температуру в помещении, то повер-

ните ручку термостата по часовой стрелке (максимально возможное положение «MAX»). Также вы можете переключить мощность прибора на более высокую («II» или «III»).

10. Серия маслянонаполненных радиаторов Timberk TOR 31...QT дополнительно оснащена встроенным тепловентилятором, который расположен на лицевой панели прибора. Чтобы ускорить обогрев помещения, активируйте работу тепловентилятора, нажав выключатель (может быть расположен как на лицевой панели прибора, так и сбоку (слева) лицевой панели прибора в зависимости от серии прибора).

Включая кнопку тепловентилятора, вы должны выбрать позицию «ON» («включено»), при этом электропитание автоматически будет подаваться как на мотор вентилятора, так и на встроенный нагревательный элемент. Если вы хотите выключить тепловентилятор, пожалуйста, нажмите на выключатель повторно, выбирая позицию «OFF» («выключено»).



ВНИМАНИЕ!

Для нормальной работы прибора уровень напряжения в электросети должен быть достаточен в строгом соответствии с указанными на приборе техническими параметрами. Внимательно изучите техническую наклейку, а также все наклейки со специальными предупреждениями, которые расположены на поверхности прибора.

8. ОБСЛУЖИВАНИЕ

1. Помните, что вы должны регулярно проводить чистку прибора для удаления пыли с поверхности обогревательных секций. Пыль и загрязнение на поверхности прибора отрицательно влияет на эффективность работы прибора, запах горящей пыли может вызывать в некоторых случаях головную боль и тошноту, а также другие негативные последствия для вашего здоровья. Также грязный прибор не может работать 100% эффективно, температурные параметры обогрева помещения могут быть нарушены

2. Перед проведением профилактических работ по чистке прибора, выключите прибор, отсоедините его от электрической сети (см. «Важные меры предосторожности») и дайте прибору остыть.

3. Протрите секции прибора и прочие поверхности мягкой, слегка влажной тряпкой/куском ткани. Ткань не должна оставлять ворса на поверхности прибора

4. Не рекомендуется использовать моющие средства, в том числе средства с абразивными составами.

5. В процессе чистки, пожалуйста, не допускайте повреждения поверхности прибора острыми предметами (жесткая губка, наждачная бумага и т.п.). Царапины на окрашенной поверхности могут привести к образованию ржавчины.

6. Включайте и используйте прибор снова, только выполнив все «Важные меры предосторожности»; также обязательно убедитесь, что поверхность прибора абсолютно сухая.



ВНИМАНИЕ!

Изменение цвета секций не является дефектом, а служит следствием эксплуатации прибора в помещении с сильно загрязненным воздухом

9. УСТРАНЕНИЕ НЕИСПРАВНОСТЕЙ

Возможные неисправности и методы их устранения:

Неисправность	Причина	Способ устранения
1. Обогреватель плохо греет	1. Неисправен нагревательный элемент	1. Обратиться в авторизованный сервисный центр «Timberk»
	2. Низкое напряжение в электросети	2. Проверить напряжение в электросети
2. Обогреватель не работает	1. Отсутствует напряжение в электросети	1. Проверить наличие напряжения в электросети
	2. Обрыв электрического кабеля	2. Проверить целостность электрического кабеля и при необходимости заменить его
	3. Неисправен автоматический выключатель электрической сети	3. Проверить работоспособность автоматического выключателя электрической сети и при необходимости неисправный выключатель заменить
	4. Обрыв в цепи нагревательного элемента	4. Обратиться в авторизованный сервисный центр «Timberk»

Если неисправность не удастся устранить в соответствии с рекомендациями или при возникновении других неисправностей обратитесь в авторизованный сервисный центр Timberk.



ГАРАНТИЙНЫЙ ТАЛОН



TIMBERK

McGrp.Ru

www.timberk.com

Уважаемый покупатель!

**Обратите внимание на необходимость вашей подписи
на стр. 18**

Гарантийные обязательства

Гарантийное обслуживание и ремонт бытового электрического масляного радиатора TIMBERK с соблюдением требований и норм Изготовителя (TIMBERK) производятся на территории РФ только в авторизованных сервисных центрах Изготовителя или мастерских, уполномоченных производителем и работающих с ним на основании договора.

Срок проведения экспертизы и гарантийного ремонта - не более 45 дней с момента приемки дефектного изделия авторизованным сервисным центром TIMBERK.

Если при эксплуатации изделия Вы столкнулись с неполадками в его работе, которые Вы не можете устранить самостоятельно в строгом соответствии с Руководством по эксплуатации изделия, обратитесь к региональному представителю Изготовителя в России или в региональный авторизованный сервисный центр TIMBERK, уточнив адрес у продавца.

Полный перечень сервисных центров указан на сайте www.timberk.com или приложен отдельным списком в комплекте с изделием.

Также Вы можете обратиться в уполномоченную сервисную службу Изготовителя по телефону: +7 (495) 627-5285, либо по телефонам, указанным на сайте: www.timberk.com, или отправить сообщение по электронному адресу: ru.service@timberk.com

Гарантируется безотказная работа изделия в соответствии со сроками

Если отсутствие надлежащим образом заполненного гарантийного талона на изделие или отсутствие чека с указанием изделия не позволяет идентифицировать изделие и факт его продажи на территории РФ, то Изготовитель вправе отказать в гарантийном обслуживании изделия.

При невозможности определить дату продажи изделия, гарантийный срок исчисляется с даты его производства.

Дата производства изделия определяется по реестру Изготовителя в соответствии с серийным номером изделия.

Официальный срок службы бытового электрического масляного радиатора TIMBERK, установленный изготовителем, составляет 5 лет, со дня передачи изделия потребителю.

Указанный срок службы действителен только при условии соблюдения правил эксплуатации и правильного ухода за изделием.

Во избежание недоразумений убедительно просим Вас внимательно изучить Руководство по эксплуатации изделия и условия гарантийных обязательств, проверить правильность заполнения бланка гарантийного талона. Согласно требованиям Изготовителя, гарантийный талон действителен только при наличии четко и правильно указанных данных: модели, серийного номера изделия, даты покупки, данных фирмы-продавца, подписи покупателя. Соответствующие данные также должны быть указаны продавцом на отрывных талонах.

Модель и серийный номер изделия (на маркировочной (идентификационной) наклейке Изготовителя на изделии (Timberk ID) должны соответствовать указанным в гарантийном талоне продавцом. При нарушении этих условий, а также в случае, когда данные, указанные в гарантийном талоне, изменены или стерты, талон может быть признан недействительным.

Данным Гарантийным талоном Изготовитель подтверждает принятие на себя обязательств по удовлетворению законных требований потребителей в случае обнаружения недостатков изделия, возникших по вине Изготовителя в течение установленного гарантийного срока.

Гарантийный срок для бытового электрического масляного радиатора TIMBERK, установленный изготовителем, составляет 1 год, со дня передачи изделия потребителю.

Гарантийный срок для нагревательного элемента бытового электрического конвектора составляет 2 года

Гарантийное обслуживание и ремонт бытового электрического масляного радиатора TIMBERK с соблюдением требований и норм Изготовителя (TIMBERK) производятся на территории РФ только в авторизованных сервисных центрах Изготовителя или мастерских, уполномоченных производителем и работающих с ним на основании договора

Гарантийные обязательства дополняют и уточняют оговоренные законом обязательства, предполагающие соглашение сторон либо договор; выдаются Изготовителем в дополнение к законным правам потребителей и ни в коей мере их не ограничивают.

Изготовитель оставляет за собой право:

- отказать в гарантийном сервисном обслуживании изделия в случае несоблюдения изложенных ниже условий (см. «Досрочное прекращение гарантийного обслуживания»);
- самостоятельно инициировать независимую экспертизу для выяснения обстоятельств, приведших к выходу прибора из строя;
- сравнивать предоставленную маркировочную (идентификационную) наклейку изделия (Timberk ID) с данными реестров производства для проверки соответствия серийного номера изделия уникальным про-изводственным номерам реестров.
- предоставлять дополнительную гарантию; информация об условиях дополнительной гарантии содержится на сайте www.timberk.com

Просим Вас хранить Гарантийный талон в течение всего гарантийного срока, установленного Изготовителем на приобретенное Вами изделие.

При покупке изделия требуйте от продавца проверку его комплектности и отсутствия механических повреждений в Вашем присутствии, а также правильного и четкого заполнения данного гарантийного талона. Пре-тензии по некомплектности и выявленным механическим повреж-дени-ям после продажи изделия не принимаются.

Для гарантийного ремонта предъявляйте данный Гарантийный талон вместе с товарным (кассовым) чеком или другим документом, подтверждающим дату и факт продажи изделия на территории РФ.

Досрочное прекращение гарантийного обслуживания.

Все условия гарантийного обслуживания регулируются Законодательством РФ и Законом РФ «О защите прав потребителей». В частности, отказ в бесплатном гарантийном обслуживании изделия может быть вызван:

- нарушением при оформлении гарантийного талона при продаже изделия;
- отсутствием товарного или кассового чека о продаже изделия или невозможностью определить продавца изделия;
- наличием следов механических повреждений, возникших после передачи изделия потребителю и явившихся возможной причиной возникновения дефекта
- наличием повреждений, вызванных несоответствием стандартам параметров питающих сетей и других подобных внешних факторов, а также вызванных использованием нестандартных, неоригинальных

- нарушением правил Руководства по эксплуатации данного изделия; стей, элементов и т.д.;
- наличием следов несанкционированного вскрытия и/или ремонта изделия (за исключением случаев, предусмотренных Руководством по эксплуатации), повлекших за собой отказ в работе изделия
- дефектом или отказом системы или ее части, где изделие использовалось как часть системы и это могло привести к дефекту или отказу изделия.

Гарантийные обязательства не распространяются на перечисленные ниже и принадлежности изделия, с разборкой самого изделия:

- монтажные приспособления и документацию, прилагаемую к изделию;
- материалы, наклеенные на изделие, имеющие рекламное или информационное назначение, за исключением маркировочной (идентификационной) наклейки Изготовителя (Timberk ID).



ВНИМАНИЕ!

Если в результате экспертизы/диагностики изделия установлено, что его недостатки возникли вследствие обстоятельств, за которые не отвечает продавец (изготовитель), либо недостатки в товаре отсутствуют, Потребитель обязан возместить продавцу (изготовителю или уполномоченной изготовителем организации) расходы на проведение экспертизы (диагностики), а также связанные с ее проведением расходы на хранение и транспортировку товара в соответствии с Законом РФ «О защите прав потребителей» № 171-ФЗ в ред. от 21.12.2004 ст. 18 п.5.

Изготовитель не несет гарантийных обязательств за изделие в следующих случаях:

- если изделие использовалось в иных целях, не соответствующих его прямому назначению в соответствии с Руководством по эксплуатации;
- если на изделии отсутствует маркировочная (идентификационная) табличка Изготовителя (Timberk ID);
- если изделие имеет следы несанкционированного вскрытия, не предусмотренного Руководством по эксплуатации, и попыток некачественного ремонта;

- если дефект вызван изменением/нарушением конструкции или схемы изделия, не предусмотренным Изготовителем;
- если обнаружены повреждения, вызванные попаданием внутрь изделия посторонних предметов, веществ, жидкостей, насекомых, скоплением большого количества пыли;
- если обнаружены повреждения, вызванные подключением к электрической сети с недопустимыми параметрами;
- если дефект вызван действием непреодолимых сил, несчастными случаями, умышленными или неосторожными действиями потребителя или третьих лиц;
- неправильного хранения (консервации / разборки-сборки на период хранения) изделия; если использование изделия производится без разрешительной документации исполнительных органов власти субъектов РФ там, где подобная документация требуется в соответствии с требованиями законодательства РФ (в т.ч. Жилищного Кодекса РФ);

Изготовитель снимает с себя любую ответственность за возможный вред, прямо и или косвенно нанесенный продукцией Timberk людям, домашним животным, и имуществу, в случаях, если это произошло в результате несоблюдения правил и условий эксплуатации или вследствие некачественного, обслуживания и ремонта изделия, умышленных или неосторожных действий потребителя или третьих лиц.



ВНИМАНИЕ!

Если маркировочная (идентификационная) наклейка на изделие TIMBERK (TIMBERK ID) закреплена на изделии не плотно и существует риск ее утери, то вклейте ее в гарантийный талон на последней странице.

Если дефект вызван изменением/нарушением конструкции или схемы Изготовитель/импортер/продавец не несут ответственности в случае возникновения недостатков изделия из-за неправильных сервисных работ выполненных неавторизованными организациями и специалистами.

Гарантийные обязательства Изготовителя не распространяются на случаи:

- если изделие эксплуатировалось в положении, отличном от указанного в Руководстве по эксплуатации на данный прибор;
- если неисправность изделия возникла в результате попадания внутрь изделия посторонних предметов, веществ, жидкостей, насекомых, скоплением большого количества пыли;
- если в процессе эксплуатации был затруднен проход воздуха через вентиляционные отверстия и решетки (например, прибор накрылся какими-либо предметами, шторами, производилась сушка одежды без использования специальных, предусмотренных Изготовителем в Руководстве по эксплуатации устройств, большое скопление пыли снаружи и внутри прибора и т.д.)



ПРИМЕЧАНИЕ:

Пожалуйста, потребуйте от продавца полностью, четко и правильно заполнить бланк Гарантийного талона.

McGrp.Ru

Бланк гарантийного талона.

Заполняется фирмой-продавцом

Изделие	
Модель	
Серийный номер	
Дата продажи	
Фирма-продавец	
Адрес фирмы продавца	
Телефон фирмы продавца	

Без подписи покупателя Гарантийный талон является недействительным.



«Б»

Дата приема	
Дата выдачи	
Особые отметки	

Печать
сервисного центра

«В»

Дата приема	
Дата выдачи	
Особые отметки	

Печать
сервисного центра

«Г»

Дата приема	
Дата выдачи	
Особые отметки	

Печать
сервисного центра

Подписывая данный гарантийный талон, Покупатель признает, что он:

1. Проверил заполнение информации.
2. Получил руководство по эксплуатации на изделие на русском языке.
3. Владеет всей необходимой информацией о приобретенном изделии и его потребительских свойствах, характеристиках в соответствии со статьей 10 Закона РФ «О защите прав потребителей».
4. Ознакомлен и полностью согласен с условиями и ограничениями гарантийного обслуживания, а также с условиями установки / подключения / сервисного обслуживания / эксплуатации приобретенного изделия.
5. Не имеет претензий к внешнему виду / комплектности / работоспособности (если прибор проверялся в его присутствии при продаже) приобретенного изделия.

Подпись покупателя (с расшифровкой)

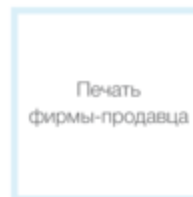
_____ / _____

Дата _____

Отрывной талон «А»

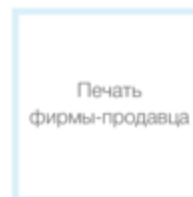
Изделие	
Модель	
Серийный номер	
Дата продажи	
Фирма-продавец	

Заполняется фирмой-продавцом

**Отрывной талон «Б»**

Изделие	
Модель	
Серийный номер	
Дата продажи	
Фирма-продавец	

Заполняется фирмой-продавцом

**Отрывной талон «В»**

Изделие	<i>McGrp.Ru</i>
Модель	
Серийный номер	
Дата продажи	
Фирма-продавец	

Заполняется фирмой-продавцом

**Отрывной талон «Г»**

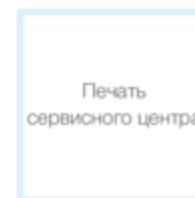
Изделие	
Модель	
Серийный номер	
Дата продажи	
Фирма-продавец	

Заполняется фирмой-продавцом



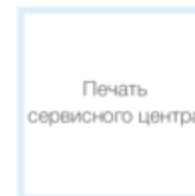
Дата приема	
Дата выдачи	
Номер заказа-наряда	
Проявление дефекта	
Мастер	
Код неисправности	

Заполняется сервисным центром



Дата приема	
Дата выдачи	
Номер заказа-наряда	
Проявление дефекта	
Мастер	
Код неисправности	

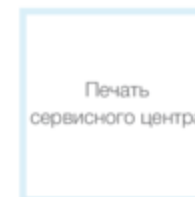
Заполняется сервисным центром



McGrp.Ru

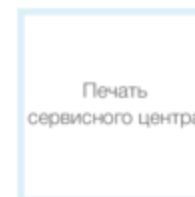
Дата приема	
Дата выдачи	
Номер заказа-наряда	
Проявление дефекта	
Мастер	
Код неисправности	

Заполняется сервисным центром



Дата приема	
Дата выдачи	
Номер заказа-наряда	
Проявление дефекта	
Мастер	
Код неисправности	

Заполняется сервисным центром





RU

Руководство по эксплуатации техники Timberk написано на английском языке и переведено на русский язык.



BY

В целях информирования покупателей техники TIMBERK, мы дополнительно сообщаем, что русский является государственным языком в следующих государствах:



OS

- в Российской Федерации
- в Республике Беларусь
- в частично признанной Южной Осетии наряду с осетинским языком



KZ

Русский язык является официальным языком (во всех случаях другой язык или другие языки выступают как государственный или второй официальный) в следующих государствах и на территориях:



AK



KG



UA



TJ



CIS

- в Республике Казахстан
- в Киргизской Республике
- в административных единицах Украины, где доля носителей русского языка составляет более 10%, при соответствующем решении местных советов
- в Автономной Республике Крым

В Республике Таджикистан русский язык признан по Конституции языком межнационального общения.

Официальным языком международной организации Содружество Независимых Государств (СНГ) является русский язык.

Если вы заметили ошибку в руководстве по эксплуатации, пожалуйста, сообщите нам об этом, связавшись с нами по электронной почте, указанной на сайте www.timberk.com

If you found any mistake in this manual please let us know by email listed on www.timberk.com



www.btpart.ru

Все расходные материалы для
продукции TIMBERK вы можете
приобрести на сайте www.btpart.ru

Уважаемый покупатель!
McGrp.Ru

TIMBERK предоставляет вам специальный сервис в рамках программы клиентской поддержки. Теперь вы всегда сможете заказать и оформить доставку на запасные части и расходные материалы, необходимые для оптимальной, качественной работы техники TIMBERK в течение всего срока службы на едином портале www.btpart.ru.

Всю информацию о работе портала вы также всегда сможете увидеть на сайте www.timberk.com. Мы искренне надеемся, что этот уникальный дополнительный сервис поможет вам сделать жизнь с TIMBERK еще удобнее!

McGrp.Ru



www.timberk.com

McGrp.Ru

EAC